

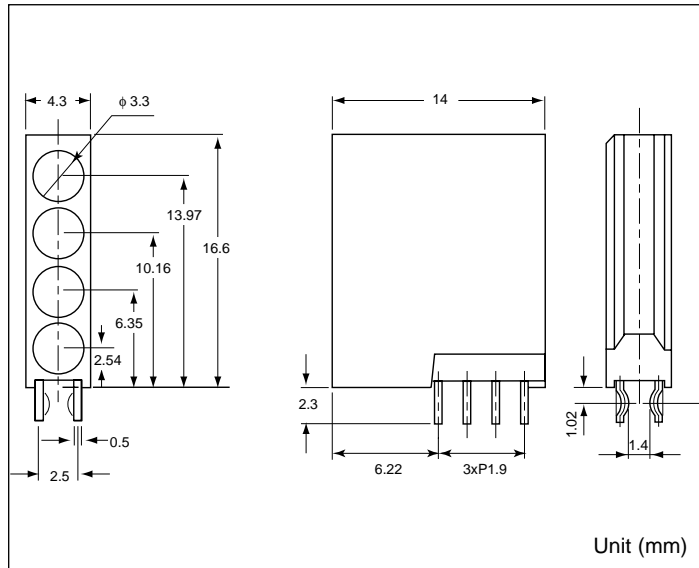


Product Guide

3113S-4A, 3MX4H, 3864X-SLM140-LP, and 3368S-1H Series

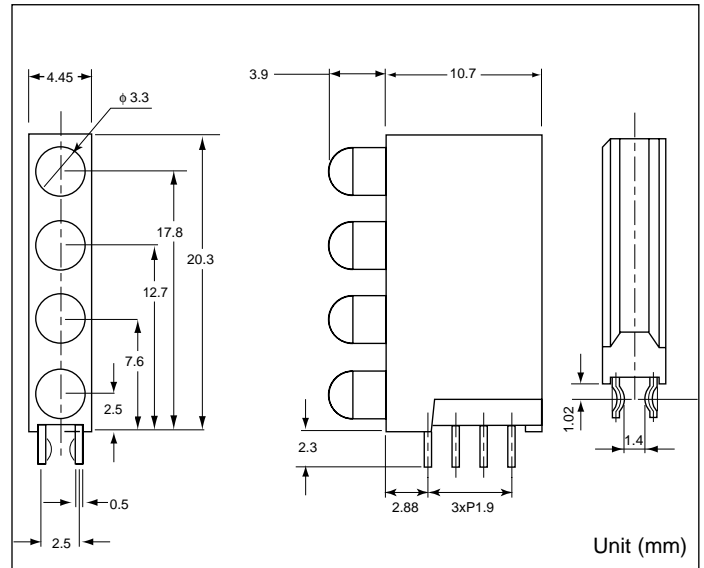
Outline Dimensions

3113S-4A Series



Outline Dimensions

3MX4H Series



3113S-4A Series

Electro-Optical Characteristics and Absolute Max Rating

(Ta=25°C)

| Type No. | Material | Emitted Color | Lens Color | Luminous Intensity I _v | | | Wave Length Spectral Line Half Width | | | Forward Voltage v _f | | | Reverse Current I _R | | Absolute Max Rating | |
|--------------|----------|---------------|--------------|-----------------------------------|------|----------------|--------------------------------------|---------------------------|----------------|--------------------------------|------|----------------|--------------------------------|----------------|-----------------------------------|-----------------------------------|
| | | | | MIN. | TYP. | I _f | Peak λ_p TYP. | Dominant λ_d TYP. | I _f | TYP. | MAX. | I _f | MAX. | V _R | Forward Current (I _f) | Reverse Voltage (V _R) |
| AYPG3113S-4A | GaAsP | Yellow | Pastel Clear | 5 | 10 | 20 | 580 | 590 | 20 | 2.2 | 2.8 | 20 | 100 | 4 | 30 | 4 |
| | GaP | Green | | 5 | 10 | 20 | 560 | 567 | 20 | 2.1 | 2.8 | 20 | 100 | 4 | 25 | 4 |
| AAPG3113S-4A | GaAsP | Orange | | 5 | 10 | 20 | 605 | 606 | 20 | 2.2 | 2.8 | 20 | 100 | 4 | 25 | 4 |
| | GaP | Green | | 5 | 10 | 20 | 560 | 567 | 20 | 2.1 | 2.8 | 20 | 100 | 4 | 25 | 4 |
| VRPG3113S-4A | GaAsP | Red | | 5 | 10 | 20 | 630 | 624 | 20 | 2.0 | 2.8 | 20 | 100 | 4 | 30 | 4 |
| | GaP | Green | | 5 | 10 | 20 | 560 | 567 | 20 | 2.1 | 2.8 | 20 | 100 | 4 | 25 | 4 |
| Units | | | | mcd | mA | | nm | mA | | V | mA | | μ A | V | mA V | |

Derate linearly from 25°C: AY & VR = 0.40 mA/°C, AA & PG = 0.33 mA/°C

3MX4H Series

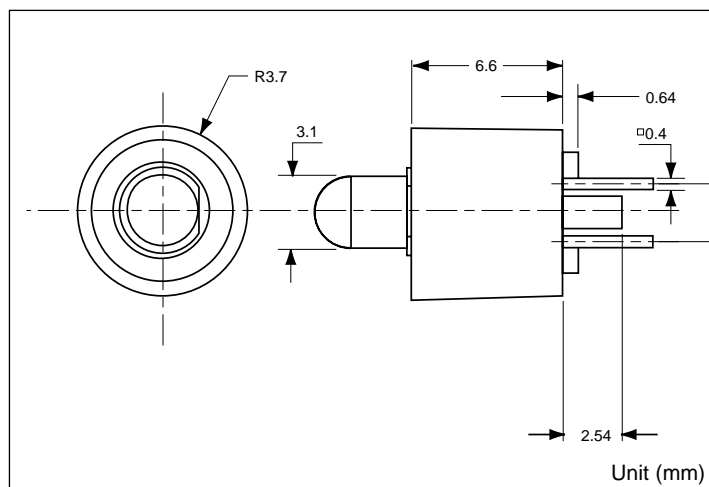
Electro-Optical Characteristics and Absolute Max Rating

(Ta=25°C)

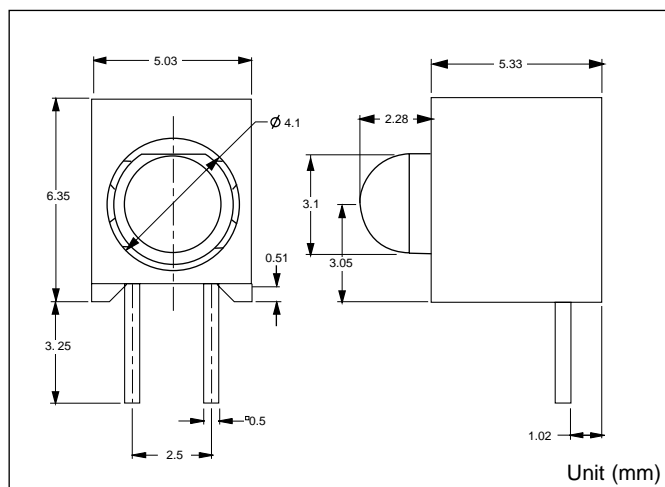
| Type No. | Material | Emitted Color | Lens Color | Luminous Intensity I _v | | | Wave Length Spectral Line Half Width | | | Forward Voltage v _f | | | Reverse Current I _R | | Absolute Max Rating | |
|-----------|----------|---------------|----------------|-----------------------------------|------|----------------|--------------------------------------|---------------------------|----------------|--------------------------------|------|----------------|--------------------------------|----------------|-----------------------------------|-----------------------------------|
| | | | | MIN. | TYP. | I _f | Peak λ_p TYP. | Dominant λ_d TYP. | I _f | TYP. | MAX. | I _f | MAX. | V _R | Forward Current (I _f) | Reverse Voltage (V _R) |
| AYPG3MX4H | GaAsP | Yellow | White Diffused | 5 | 10 | 20 | 580 | 590 | 20 | 2.2 | 2.8 | 20 | 100 | 4 | 30 | 4 |
| | GaP | Green | | 5 | 10 | 20 | 560 | 567 | 20 | 2.1 | 2.8 | 20 | 100 | 4 | 25 | 4 |
| AAPG3MX4H | GaAsP | Orange | | 5 | 10 | 20 | 605 | 606 | 20 | 2.2 | 2.8 | 20 | 100 | 4 | 25 | 4 |
| | GaP | Green | | 5 | 10 | 20 | 560 | 567 | 20 | 2.1 | 2.8 | 20 | 100 | 4 | 25 | 4 |
| VRPG3MX4H | GaAsP | Red | | 5 | 10 | 20 | 630 | 624 | 20 | 2.0 | 2.8 | 20 | 100 | 4 | 30 | 4 |
| | GaP | Green | | 5 | 10 | 20 | 560 | 567 | 20 | 2.1 | 2.8 | 20 | 100 | 4 | 25 | 4 |
| Units | | | | mcd | mA | | nm | mA | | V | mA | | μ A | V | mA V | |

Derate linearly from 25°C: AY & VR = 0.40 mA/°C, AA & PG = 0.33 mA/°C

Outline Dimensions 3864X-SLM140-LP Series



Outline Dimensions 3368S-1H Series



3864X-SLM140-LP Series Electro-Optical Characteristics and Absolute Max Rating

(Ta=25°C)

| Type No. | Material | Emitted Color | Lens Color | Luminous Intensity I _v | | | Wave Length Spectral Line Half Width | | | Forward Voltage V _f | | | Reverse Current I _R | | Absolute Max Rating | |
|----------|----------|---------------|--------------|-----------------------------------|------|----------------|--------------------------------------|------------------------------|----------------|--------------------------------|------|----------------|--------------------------------|----------------|-----------------------------------|-----------------------------------|
| | | | | MIN. | TYP. | I _f | Peak λ _p TYP. | Dominant λ _d TYP. | I _f | TYP. | MAX. | I _f | MAX. | V _R | Forward Current (I _f) | Reverse Voltage (V _R) |
| FY3864X | AlGaInP | Yellow | Pastel Clear | 125 | 250 | 20 | 592 | 590 | 20 | 1.9 | 2.4 | 20 | 100 | 4 | 50 | 5 |
| FR3864X | AlGaInP | Red | | 110 | 220 | 20 | 635 | 626 | 20 | 1.9 | 1.9 | 20 | 100 | 4 | 50 | 5 |
| FA3864X | AlGaInP | Orange | | 140 | 280 | 20 | 609 | 605 | 20 | 1.7 | 1.9 | 20 | 100 | 4 | 50 | 5 |
| BR3864X | GaAlAs | Red | | 15 | 30 | 20 | 660 | 647 | 20 | 2.0 | 1.7 | 20 | 100 | 4 | 50 | 4 |
| MVR3864X | GaAsP | Red | | 10 | 20 | 20 | 630 | 624 | 20 | 2.0 | 2.0 | 20 | 100 | 4 | 30 | 4 |
| MAA3864X | GaAsP | Orange | | 12 | 24 | 20 | 605 | 606 | 20 | 2.2 | 2.2 | 20 | 100 | 4 | 25 | 4 |
| MAY3864X | GaAsP | Yellow | | 10 | 20 | 20 | 580 | 590 | 20 | 2.2 | 2.2 | 20 | 100 | 4 | 30 | 4 |
| MPY3864X | GaP | Yellow-Green | | 20 | 40 | 20 | 570 | 572 | 20 | 2.1 | 2.1 | 20 | 100 | 4 | 30 | 4 |
| MPG3864X | GaP | Green | | 12 | 24 | 20 | 560 | 567 | 20 | 2.1 | 2.1 | 20 | 100 | 4 | 25 | 4 |
| MBG3864X | GaP | Pure Green | | 5 | 10 | 20 | 555 | 558 | 20 | 2.1 | 2.1 | 20 | 100 | 4 | 25 | 4 |
| Units | | | | mcd | mA | | nm | mA | | V | mA | | μA | V | mA V | |

Derate linearly from 25°C: FY, FR, FA & BR = 0.67 mA/°C, MAY & MPY = 0.40 mA/°C, MVR, MAA, MPG & MBG = 0.33 mA/°C

3368S-1H Series Electro-Optical Characteristics and Absolute Max Rating

(Ta=25°C)

| Type No. | Material | Emitted Color | Lens Color | Luminous Intensity I _v | | | Wave Length Spectral Line Half Width | | | Forward Voltage V _f | | | Reverse Current I _R | | Absolute Max Rating | |
|----------|----------|---------------|--------------|-----------------------------------|------|----------------|--------------------------------------|------------------------------|----------------|--------------------------------|------|----------------|--------------------------------|----------------|-----------------------------------|-----------------------------------|
| | | | | MIN. | TYP. | I _f | Peak λ _p TYP. | Dominant λ _d TYP. | I _f | TYP. | MAX. | I _f | MAX. | V _R | Forward Current (I _f) | Reverse Voltage (V _R) |
| BR3368S | GaAlAs | Red | Pastel Clear | 40 | 80 | 20 | 660 | 647 | 20 | 1.7 | 2.0 | 20 | 20 | 4 | 50 | 4 |
| MVR3368S | GaAsP | Red | | 20 | 40 | 20 | 630 | 624 | 20 | 2.0 | 2.8 | 20 | 20 | 4 | 30 | 4 |
| MAA3368S | GaAsP | Orange | | 20 | 40 | 20 | 605 | 606 | 20 | 2.2 | 2.8 | 20 | 20 | 4 | 25 | 4 |
| MAY3368S | GaAsP | Yellow | | 20 | 40 | 20 | 580 | 590 | 20 | 2.2 | 2.8 | 20 | 20 | 4 | 30 | 4 |
| MPY3368S | GaP | Yellow-Green | | 30 | 60 | 20 | 570 | 572 | 20 | 2.1 | 2.8 | 20 | 20 | 4 | 30 | 4 |
| MPG3368S | GaP | Green | | 20 | 40 | 20 | 560 | 567 | 20 | 2.1 | 2.8 | 20 | 20 | 4 | 25 | 4 |
| MBG3368S | GaP | Pure Green | | 10 | 20 | 20 | 555 | 558 | 20 | 2.1 | 2.8 | 20 | 20 | 4 | 25 | 4 |
| Units | | | | mcd | mA | | nm | mA | | V | mA | | μA | V | mA V | |

*NOTE: Different color lens options will be available

Derate linearly from 25°C: BR = 0.67 mA/°C, MAY & MPY = 0.40 mA/°C, MVR, MAA, MPG & MBG = 0.33 mA/°C