



# High Performance Communication Buffer

## General Description

The **ICS91309** is a high performance, low skew, low jitter zero delay buffer. It uses a phase lock loop (PLL) technology to align, in both phase and frequency, the REF input with the CLKOUT signal. It is designed to distribute high speed clocks in communication systems operating at speeds from 10 to 133 MHz.

The **ICS91309** provides synchronization between the input and output. The synchronization is established via CLKOUT feed back to the input of the PLL. Since the skew between the input and output is less than +/- 350 pS, the part acts as a zero delay buffer.

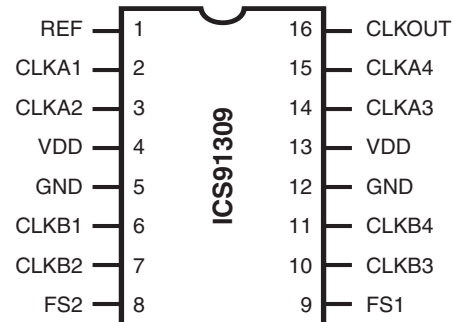
**ICS91309** has two banks of four outputs controlled by two address lines. Depending on the selected address line, bank B or both banks can be put in a tri-state mode. In this mode, the PLL is still running and only the output buffers are put in a high impedance mode. The test mode shuts off the PLL and connects the input directly to the output buffers (see table below for functionality).

**ICS91309** comes in a 16-pin 150 mil SOIC, SSOP or 4.40mm TSSOP package. In the absence of REF input, the device will enter a powerdown mode. In this mode, the PLL is turned off and the output buffers are pulled low. Power down mode provides the lowest power consumption for a standby condition.

## Features

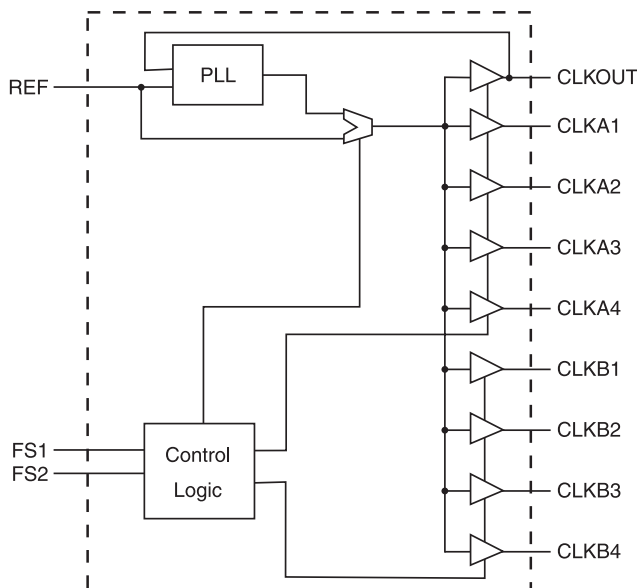
- Zero input - output delay
- Frequency range 10 - 133 MHz (3.3V)
- 5V tolerant input REF
- High loop filter bandwidth ideal for Spread Spectrum applications.
- Less than 125 ps cycle to cycle Jitter
- Skew controlled outputs
- Available in 16 pin, 150 mil SSOP, SOIC & 4.40mm TSSOP packages
- Skew: Group-to-Group: <215 ps
- Skew within Group: <100 ps
- Commercial temperature range: 0°C to +70°C

## Pin Configuration



## 16 pin SSOP, SOIC & TSSOP

## Block Diagram



## Functionality

FS2	FS1	CLKA(1:4)	CLKB(1:4)	CLKOUT	Ouput Source	PLL Shutdown
0	0	Tristate	Tristate	Driven	PLL	N
0	1	Driven	Tristate	Driven	PLL	N
1	0	PLL Bypass Mode	PLL Bypass Mode	PLL Bypass Mode	REF	Y
1	1	Driven	Driven	Driven	PLL	N



## Pin Descriptions

PIN #	PIN NAME	PIN TYPE	DESCRIPTION
1	REF <sup>1</sup>	IN	Input reference frequency, 5V tolerant input
2	CLKA1 <sup>2</sup>	OUT	Buffered clock output, Bank A
3	CLKA2 <sup>2</sup>	OUT	Buffered clock output, Bank A
4, 13	VDD	PWR	Power Supply
5, 12	GND	PWR	Ground
6	CLKB1 <sup>2</sup>	OUT	Buffered clock output, Bank B
7	CLKB2 <sup>2</sup>	OUT	Buffered clock output, Bank B
8	FS2 <sup>3</sup>	IN	Function select input, bit 2
9	FS1 <sup>3</sup>	IN	Function select input, bit 1
10	CLKB3 <sup>2</sup>	OUT	Buffered clock output, Bank B
11	CLKB4 <sup>2</sup>	OUT	Buffered clock output, Bank B
14	CLKA3 <sup>2</sup>	OUT	Buffered clock output, Bank A
15	CLKA4 <sup>2</sup>	OUT	Buffered clock output, Bank A
16	CLKOUT <sup>2</sup>	OUT	Buffered clock output, internal feedback

Notes:

1. Weak pull-down
2. Weak pull-down on all outputs
3. Weak pull-ups on these inputs



### Absolute Maximum Ratings

- Supply Voltage ..... 7.0 V
- Logic Inputs (Except REF) ..... GND -0.5 V to V<sub>DD</sub> + 0.5 V
- Logic Input REF ..... GND -0.5 V to GND + 5.5 V
- Ambient Operating Temperature ..... 0°C to +70°C
- Storage Temperature ..... -65°C to +150°C

Stresses above those listed under *Absolute Maximum Ratings* may cause permanent damage to the device. These ratings are stress specifications only and functional operation of the device at these or any other conditions above those listed in the operational sections of the specifications is not implied. Exposure to absolute maximum rating conditions for extended periods may affect product reliability.

### Electrical Characteristics - Input & Supply

T<sub>A</sub> = 0 - 70°C; Supply Voltage V<sub>DD</sub> = 3.3 V +/-10%

PARAMETER	SYMBOL	CONDITIONS	MIN	TYP	MAX	UNITS
Input High Voltage	V <sub>IH</sub>		2			V
Input Low Voltage	V <sub>IL</sub>				0.8	V
Input High Current	I <sub>IH</sub>	V <sub>IN</sub> = V <sub>DD</sub>		0.1	100	uA
Input Low Current	I <sub>IL</sub>	V <sub>IN</sub> = 0 V		19	50	uA
Output High Voltage	V <sub>OH</sub>	I <sub>OH</sub> = -12 mA	2.4			V
Output Low Voltage	V <sub>OL</sub>	I <sub>OL</sub> = 12 mA			0.4	V
Operating Supply Current	I <sub>DD</sub>	Outputs Unloaded; REF = 66 MHz		30	45	mA
Powerdown Current	I <sub>DD</sub>	REF = 0 Mhz		0.3	12	uA
Input Frequency	F <sub>i</sub>		10		133	MHz
Input Capacitance <sup>1</sup>	C <sub>IN</sub>				5	pF

NOTES:

1. Guaranteed by design and characterization, not 100% tested in production.



### Electrical Characteristics - Outputs

$T_A = 0 - 70^\circ\text{C}$ ;  $V_{DD} = 3.3\text{ V} \pm 10\%$ ;  $C_L = 30\text{ pF}$  (unless otherwise specified)

PARAMETER	SYMBOL	CONDITIONS	MIN	TYP	MAX	UNITS
Output High Voltage	$V_{OH}$	$I_{OH} = -12\text{ mA}$	2.4			V
Output Low Voltage	$V_{OL}$	$I_{OL} = 12\text{ mA}$			0.4	V
Rise Time <sup>1</sup>	$t_r$	Measure between 0.8 V and 2.0 V		1.2	1.5	ns
Fall Time <sup>1</sup>	$t_f$	Measure between 2.0 V and 0.8 V		1.2	1.5	ns
PLL Lock Time <sup>1</sup>	$T_{LOCK}$	Stable $V_{DD}$ , valid clock on REF			1	mS
Output Frequency	$f_i$	$C_L = 30\text{ pF}$	10		100	MHz
	$f_i$	$C_L = 10\text{ pF}$	10		133	MHz
Duty Cycle <sup>1</sup>	Dt1	Measured at 1.4 V, $F_{out} = 66.7\text{ MHz}$	40	50	60	%
	Dt2	Measured at $V_{DD}/2$ , $F_{out} < 50.0\text{ MHz}$	45	50	55	%
Jitter, Cycle-to-cycle <sup>1</sup>	$t_{jcy-cyc}$	Measured at 66.7 MHz, loaded outputs			125	ps
Jitter, Absolute <sup>1</sup>	Tjabs	10,000 cycles, $C_L = 30\text{ pF}$	-100	70	100	ps
Jitter, 1-Sigma <sup>1</sup>	Tj1s	10,000 cycles, $C_L = 30\text{ pF}$		14	30	ps
Skew, Group-to-Group <sup>1</sup>	Tsk	Measured at 1.4 V			215	ps
Skew, Output-to-Output <sup>1</sup>	Tsk	Measured at 1.4 V, within a group			100	ps
Skew, Device-to-Device <sup>1</sup>	Tdsk-Tdsk	Measured at $V_{DD}/2$ , on CLKOUT pins			700	ps
Delay, Input-to-Output <sup>1</sup>	Dr1	Measured at 1.4 V			700	ps

Notes:

1. Guaranteed by design and characterization, not 100% tested in production.



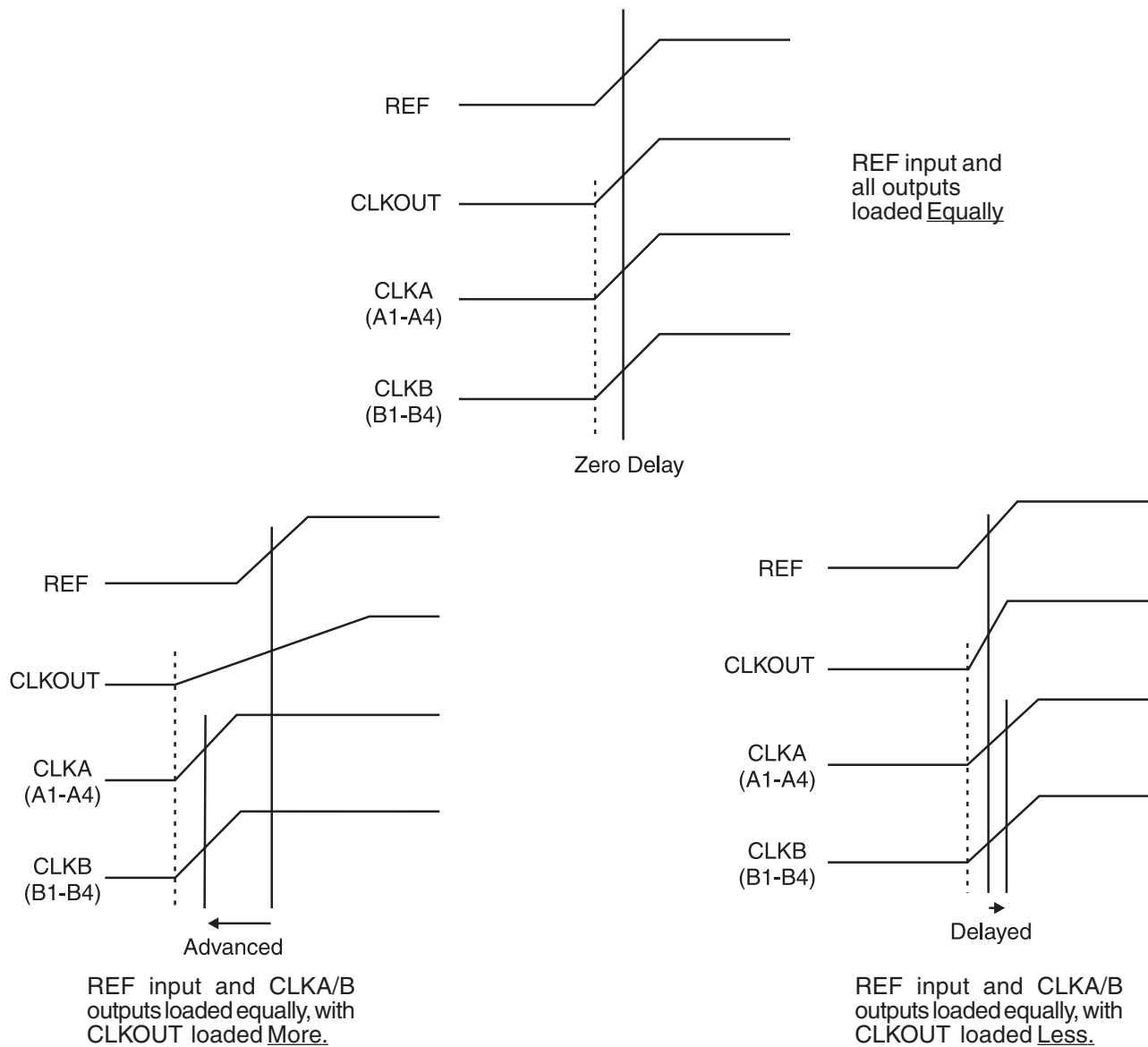
## Output to Output Skew

The skew between CLKOUT and the CLKA/B outputs is not dynamically adjusted by the PLL. Since CLKOUT is one of the inputs to the PLL, zero phase difference is maintained from REF to CLKOUT. If all outputs are equally loaded, zero phase difference will be maintained from REF to all outputs.

If applications requiring zero output-to-output skew, all the outputs must be equally loaded.

If the CLKA/B outputs are less loaded than CLKOUT, CLKA/B outputs will lead it; and if the CLKA/B is more loaded than CLKOUT, CLKA/B will lag the CLKOUT.

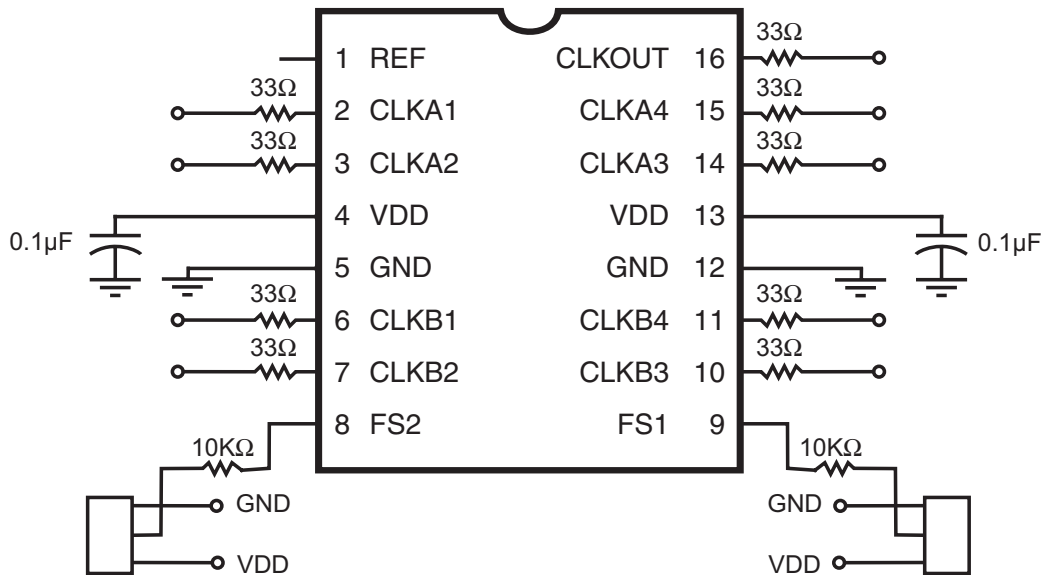
Since the CLKOUT and the CLKA/B outputs are identical, they all start at the same time, but different loads cause them to have different rise times and different times crossing the measurement thresholds.

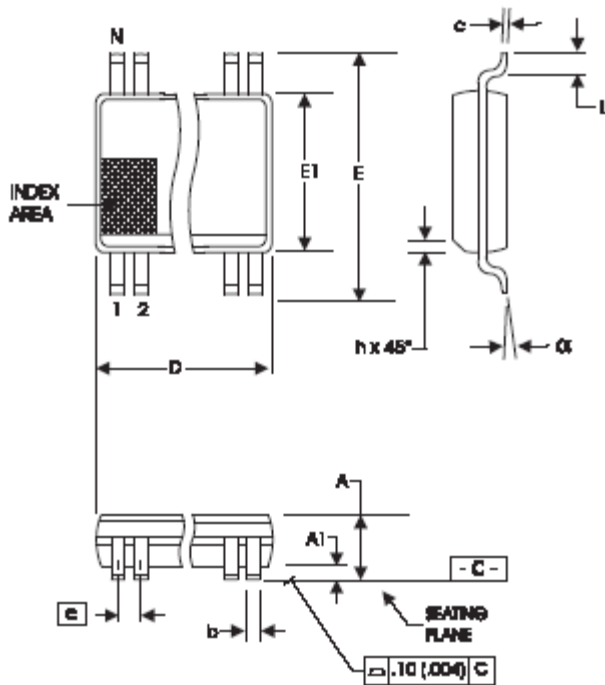




## Application Suggestion:

**ICS91309** is a mixed analog/digital product. The analog portion of the PLL is very sensitive to any random noise generated by charging or discharging of internal or external capacitor on the power supply pins. This type of noise will cause excess jitter to the outputs of **ICS91309**. Below is a recommended lay out to alleviate any addition noise. For additional information on FT. layout, please refer to our AN07. The 0.1 uF capacitors should be connected as close as possible to power pins (4 & 13). An Isolated power plane with a 2.2 uF capacitor to ground will enhance the power line stability.





SYMBOL	In Millimeters COMMON DIMENSIONS		In Inches COMMON DIMENSIONS	
	MIN	MAX	MIN	MAX
A	1.35	1.75	.053	.069
A1	0.1	0.25	.0040	.010
A2	—	1.50	—	.059
b	0.20	0.30	.008	.012
c	0.18	0.25	.007	.010
D	SEE VARIATIONS		SEE VARIATIONS	
E	5.80	6.20	.228	.244
E1	3.80	4.00	.150	.157
e	0.635 BASIC		0.025 BASIC	
L	0.40	1.27	.016	.050
N	SEE VARIATIONS		SEE VARIATIONS	
$\alpha$	0°	8°	0°	8°
ZD	SEE VARIATIONS		SEE VARIATIONS	

VARIATIONS

N	D mm.		ZD	D (inch)		ZD
	MIN	MAX	(Ref)	MIN	MAX	(Ref)
16	4.80	5.00	0.23	.189	.197	.009

JEDEC MO-137  
DOC# 10-0032

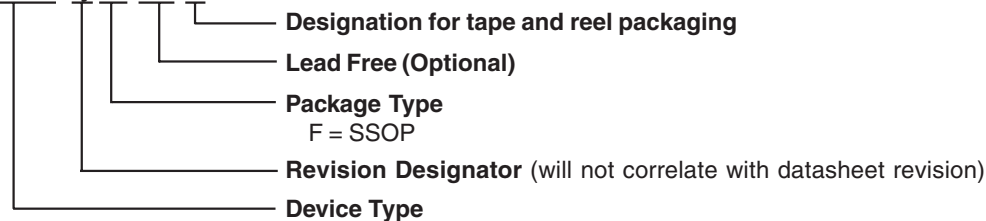
6/1/00  
REV B

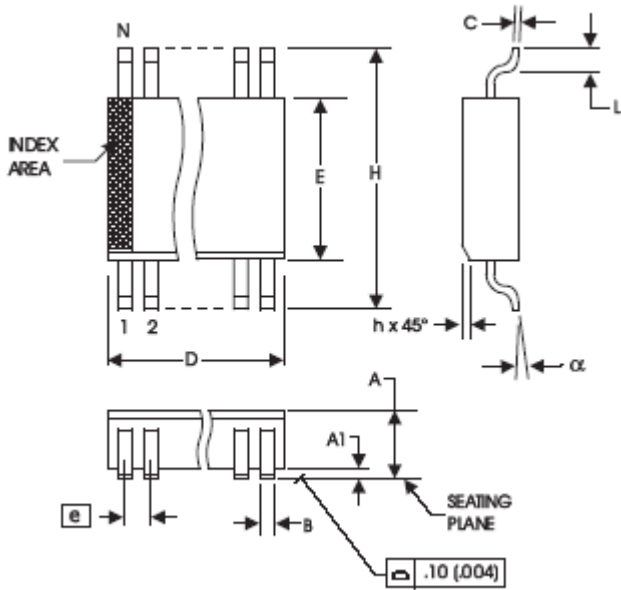
Ordering Information

91309yFLFT

Example:

XXXX y F L F T





150 mil (Narrow Body) SOIC

SYMBOL	In Millimeters COMMON DIMENSIONS		In Inches COMMON DIMENSIONS	
	MIN	MAX	MIN	MAX
A	1.35	1.75	.0532	.0688
A1	0.10	0.25	.0040	.0098
B	0.33	0.51	.013	.020
C	0.19	0.25	.0075	.0098
D	SEE VARIATIONS		SEE VARIATIONS	
E	3.80	4.0	.1497	.1574
e	1.27 BASIC		0.050 BASIC	
H	5.80	6.20	.2284	.2440
h	0.25	0.50	.010	.020
L	0.40	1.27	.016	.050
N	SEE VARIATIONS		SEE VARIATIONS	
α	0°	8°	0°	8°

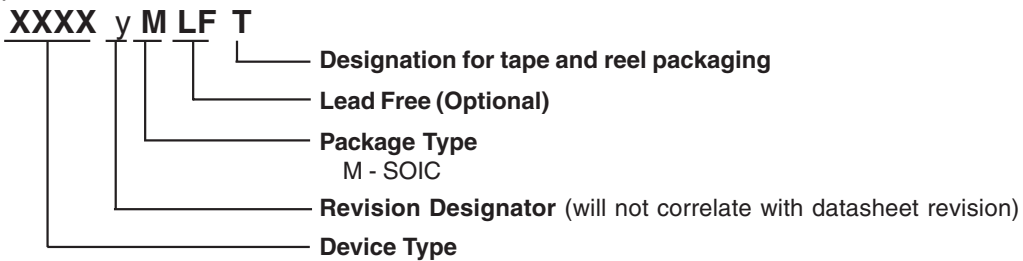
VARIATIONS

N	D mm.		D (inch)	
	MIN	MAX	MIN	MAX
16	9.80	10.00	.3859	.3937

Ordering Information

91309yMLFT

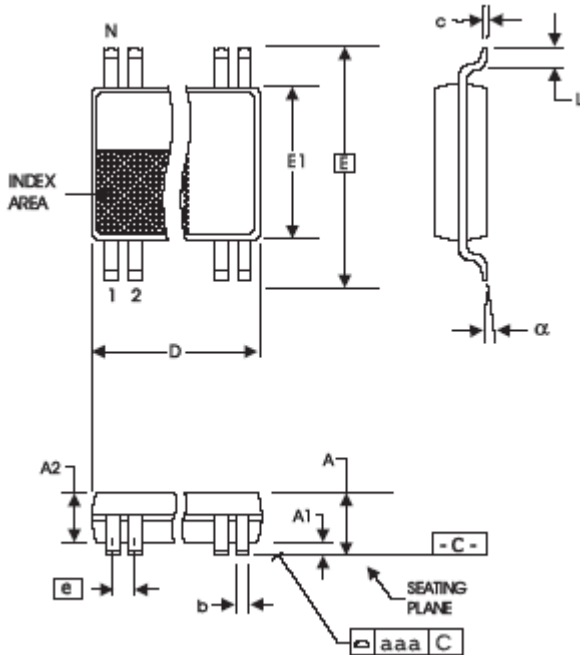
Example:







**4.40 mm. Body, 0.65 mm. Pitch TSSOP  
(173 mil) (25.6 mil)**



SYMBOL	In Millimeters COMMON DIMENSIONS		In Inches COMMON DIMENSIONS	
	MIN	MAX	MIN	MAX
A	--	1.20	--	.047
A1	0.05	0.15	.002	.006
A2	0.80	1.05	.032	.041
b	0.19	0.30	.007	.012
c	0.09	0.20	.0035	.008
D	SEE VARIATIONS		SEE VARIATIONS	
E	6.40 BASIC		0.252 BASIC	
E1	4.30	4.50	.169	.177
e	0.65 BASIC		0.0256 BASIC	
L	0.45	0.75	.018	.030
N	SEE VARIATIONS		SEE VARIATIONS	
$\alpha$	0°	8°	0°	8°
aaa	--	0.10	--	.004

VARIATIONS

N	D mm.		D (inch)	
	MIN	MAX	MIN	MAX
16	4.90	5.10	.193	.201

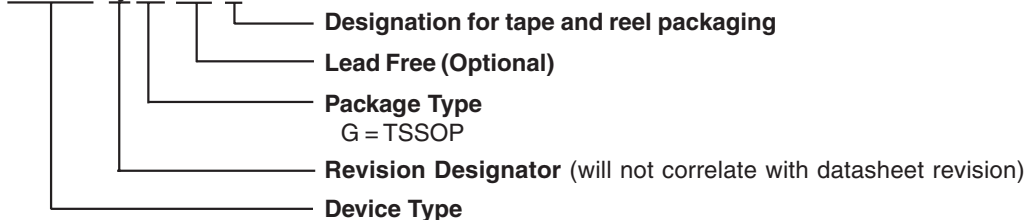
Reference Doc.: JEDEC Publication 95, MO-153  
10-0035

**Ordering Information**

**91309yGLFT**

Example:

**XXXX y G LFT**





---

## Revision History

Rev.	Issue Date	Description	Page #
H	12/9/2008	Removed ICS prefix from ordering information	7-9