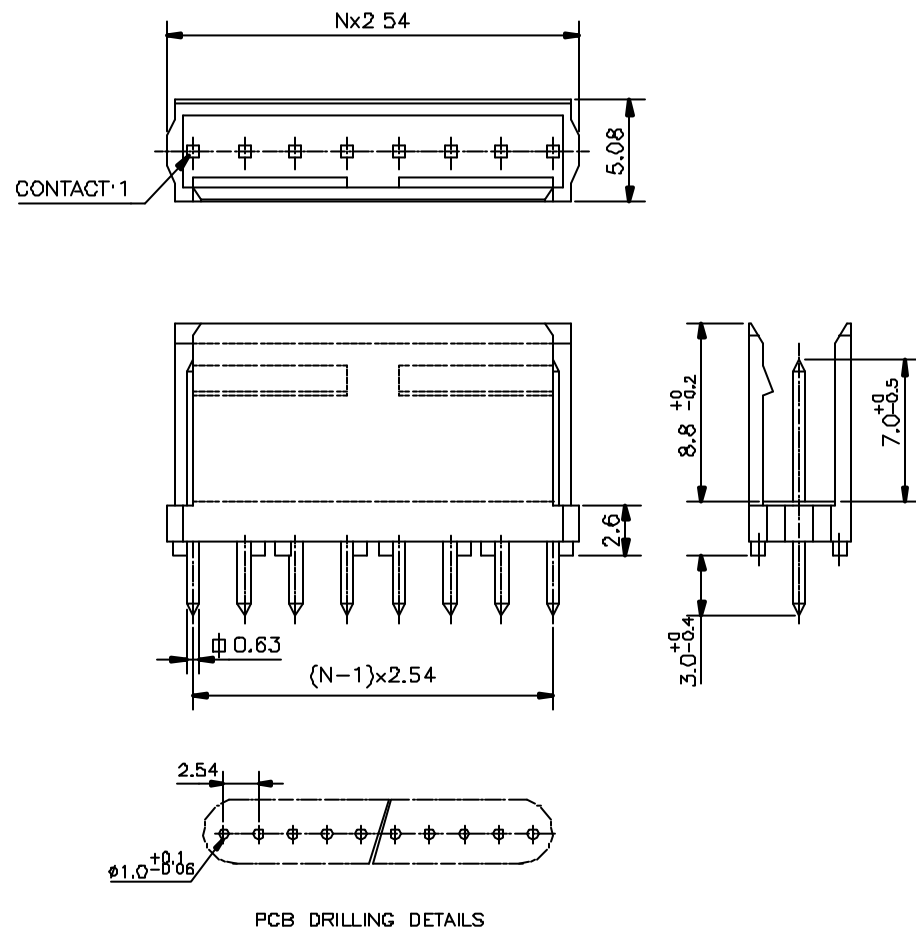
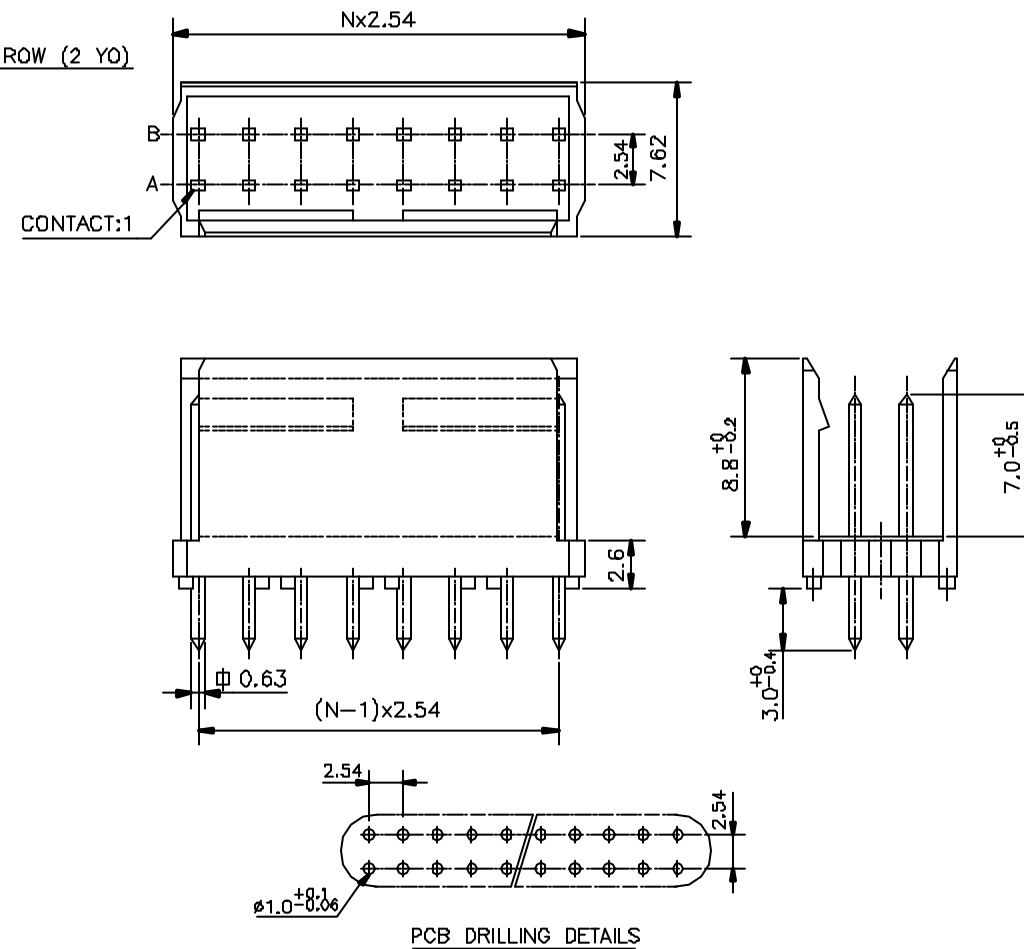


THIS DRAWING IS THE PROPERTY OF FRAMATOME CONNECTORS OEN LTD. IT MUST NOT BE REPRODUCED OR DISCLOSED TO ANY THIRD PARTIES OR USED FOR MANUFACTURING PURPOSES WITHOUT PERMISSION IN WRITING FROM M/S FRAMATOME CONNECTORS OEN LTD. KOCHI 682 314.

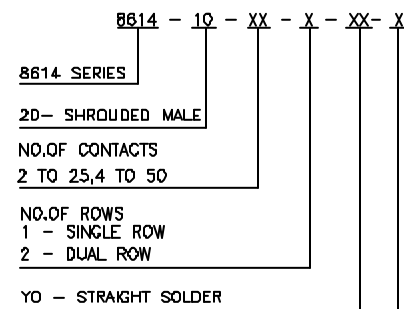
SINGLE ROW (1 YO)



DOUBLE ROW (2 YO)



ORDERING INFORMATION



- PLATING
- 1 - TIN LEAD
  - 2 - 0.2 μAu
  - 3 - 0.75 μAu SELECTIVE
  - 4 - 0.2 μAu SELECTIVE
  - 5 - 1.27 μAu SELECTIVE
  - 6 - 0.75 μAu
  - 7 - GOLD FLASH
  - 8 - 1.27 μAu SELECTIVE
  - 9 - 0.4 μ FULL GOLD
  - 10 - FULL GOLD FLASH

TECHNICAL SPECIFICATION

- INSULATOR MATERIAL : SELF EXTINGUISHING THERMOPLASTIC (UL94 V0)
- CONTACT MATERIAL : COPPER ALLOY
- MAXIMUM VOLTAGE : 1000 V rms.
- NOMINAL CURRENT : 3A AT 20°C
- INSULATION RESISTANCE : > 5000 MΩ
- CONTACT RESISTANCE : < 20 mΩ
- CLIMATIC CATAGORY : -55°C TO +125°C / 21 DAYS EXPOSURE TO- INDUSTRIAL ENVIRONMENT HUMIDITY TEST AS HE-14.

ALL DIMENSIONS ARE IN MM  
DO NOT SCALE DRAWING  
GEN TOLERANCE  
LINEAR ±0.1  
ANGULAR ±1°

TITLE  
**SHROUDED MALE CONNECTOR  
(STRAIGHT SOLDER)**

MATERIAL REF.  
SEE TECHNICAL SPEC. 8614

DRN	Mini.K.V
CHD	Jai.K.A
APPD	P.S.Johns
DATE	6/12/98

SCALE



**FRAMATOME CONNECTORS OEN LTD.  
INDIA**

DRG-NO:	C/8614/0081
SHEET	1 OF 1

INDEX	DATE	REVISION DESCRIPTION	CHD BY	APPD
□	6/12/98	First issue		

THIS DRAWING WHEN ISSUED THROUGH EDP, IT IS VALID WITHOUT SIGNATURE