

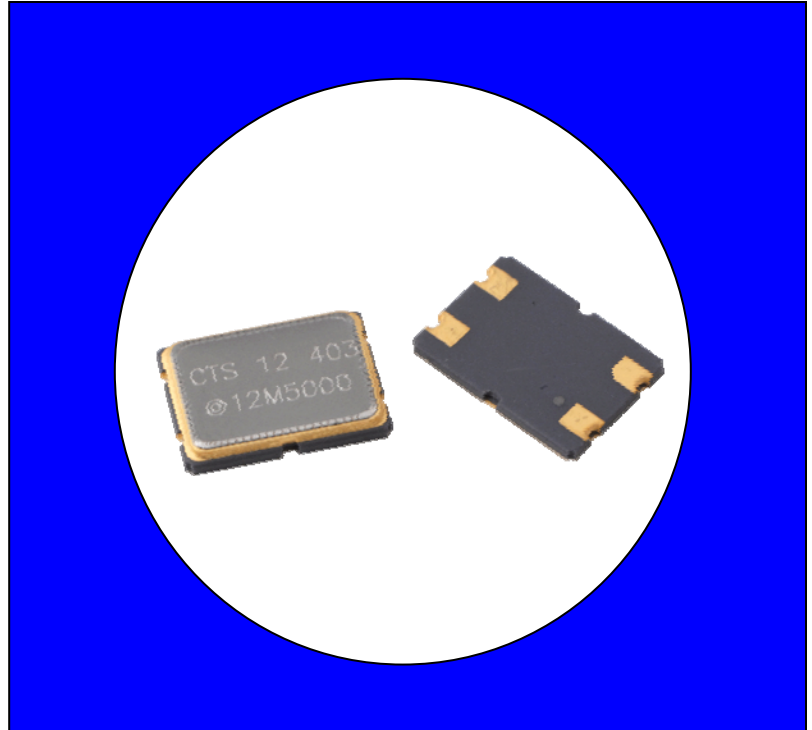


FEATURES

- Standard 7.0x5.0mm Surface Mount Footprint
- Stable Frequency Over Temperature and Drive Level
- Frequency Range 6 – 156.25 MHz
- Frequency Tolerance, ± 30 ppm Standard (± 10 ppm, ± 15 ppm and ± 20 ppm available)
- Frequency Stability, ± 50 ppm Standard ($\pm 10, \pm 15, \pm 20, \pm 30$ and ± 40 ppm available)
- Operating Temperature to -40°C to $+85^{\circ}\text{C}$
- Tape & Reel Packaging, EIA-481-2 Compliant
- **RoHS/Green Compliant (6/6)**

DESCRIPTION

The Model 407 is a ceramic packaged Crystal offering reduced size, ideal for high-density circuit board applications. The Model 407 offers reliable precision and excellent shock performance in wireless telecommunication devices.



ORDERING INFORMATION

407 M

MODE OF OSCILLATION	FREQUENCY TOLERANCE @ 25°C	STABILITY TOLERANCE/TEMPERATURE RANGE	FREQUENCY IN MHz	LOAD CAPACITANCE
F = Fundamental T = 3 RD Overtone	1 = ± 10 ppm X = ± 15 ppm 2 = ± 20 ppm 3 = ± 30 ppm (standard)	Over Operating Temperature Range (Referenced to 25°C Reading)	M - indicates MHz and decimal point. Frequency is recorded with minimum 4 significant digits to the right of the "M".	A = 10 pF B = 13 pF C = 16 pF D = 18 pF E = 20 pF F = 24 pF G = 30 pF H = 32 pF J = 9 pF K = 8 pF L = 12 pF S = Series
1 = ± 10 ppm, -20°C to $+70^{\circ}\text{C}$ X = ± 15 ppm, -20°C to $+70^{\circ}\text{C}$ 2 = ± 20 ppm, -20°C to $+70^{\circ}\text{C}$ 3 = ± 30 ppm, -20°C to $+70^{\circ}\text{C}$ 4 = ± 40 ppm, -20°C to $+70^{\circ}\text{C}$ 5 = ± 50 ppm, -20°C to $+70^{\circ}\text{C}$ (standard) W = ± 15 ppm, -40°C to $+85^{\circ}\text{C}$ 6 = ± 20 ppm, -40°C to $+85^{\circ}\text{C}$ 7 = ± 30 ppm, -40°C to $+85^{\circ}\text{C}$ 8 = ± 40 ppm, -40°C to $+85^{\circ}\text{C}$ 9 = ± 50 ppm, -40°C to $+85^{\circ}\text{C}$			Example Part Numbers: 407F35A014M3181 ($F_0 = 14.31818$ MHz) 407T39A050M0000	

Custom performance characteristics are available upon request.
Use form C052 to detail non-standard parameters.

Not all performance combinations and frequencies may be available.
Contact your local CTS Representative or CTS Customer Service for availability.

ELECTRICAL CHARACTERISTICS

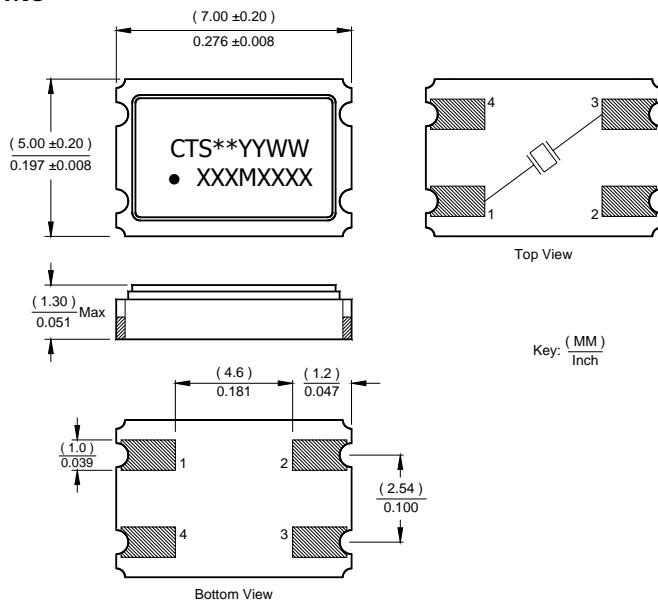
	PARAMETER	VALUE
Electrical Parameters	Operating Mode (Note 1)	Fundamental or 3 RD Overtone
	Crystal Cut	AT-Cut
	Frequency Range	6.0 MHz to 156.25 MHz
	Frequency Tolerance @ 25°C	± 30 ppm Standard (± 10 ppm, ±15 ppm and ± 20 ppm Available)
	Frequency Stability Tolerance (Operating Temperature Range, Referenced to 25°C Reading)	± 50 ppm Standard (± 10 ppm, ±15 ppm, ± 20 ppm, ± 30 ppm and ± 40 ppm Available)
	Operating Temperature Range	-20°C to +70°C Standard (-40°C to +85°C Available)
	Storage Temperature Range	-55°C to +125°C
	Equivalent Series Resistance	See ESR Table
	Load Capacitance or Resonance Mode	See Ordering Information
	Shunt Capacitance (C ₀)	7.0 pF Maximum
	Drive Level	25 µW Typical, 100 µW Maximum
	Aging @ 25°C	± 3 ppm/year maximum
	Reflow Condition, per JEDEC J-STD-020	+255°C ± 5°C, 10 Seconds Maximum

EQUIVALENT SERIES RESISTANCE TABLE

FREQUENCY RANGE	MODE of OSCILLATION	ESR Maximum
6.000 MHz - 7.999 MHz	Fundamental	80 Ohms
8.000 MHz - 15.999 MHz	Fundamental	60 Ohms
16.000 MHz - 50.000 MHz	Fundamental	40 Ohms
30.001 MHz - 60.000 MHz	3 RD Overtone	100 Ohms
60.001 MHz - 156.25.000 MHz	3 RD Overtone	80 Ohms

MECHANICAL SPECIFICATIONS

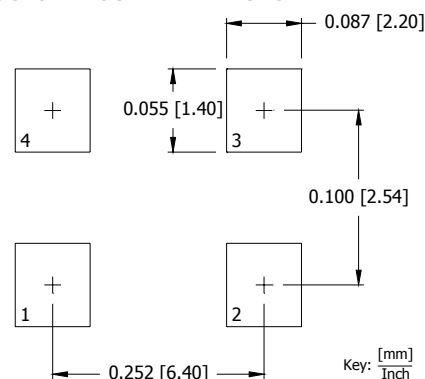
PACKAGE DRAWING



MARKING INFORMATION

- ** - Manufacturing Site Code.
- YYWW – Date Code, YY – Year, WW – Week.
- XXXMXXXX – Frequency marked with 4 significant digits after the 'M'.
- Complete CTS part number, frequency value and date code information must appear on reel and box labels.

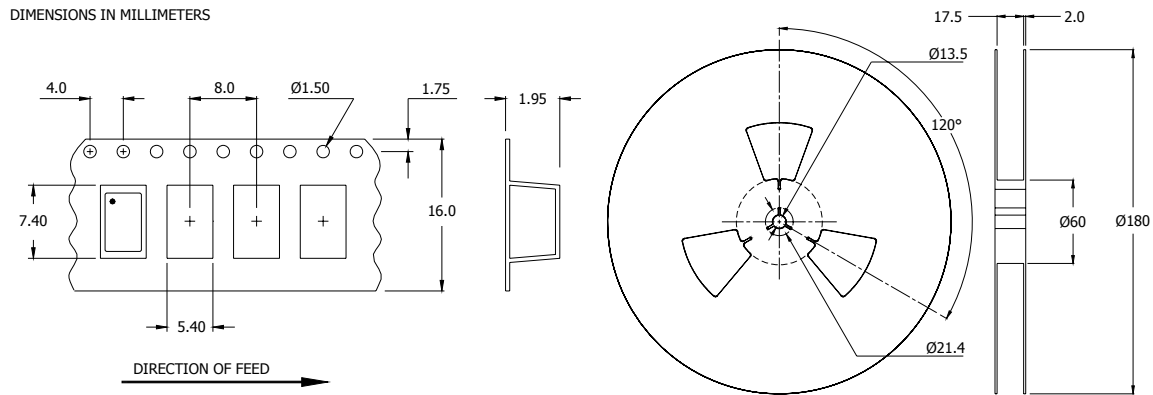
SUGGESTED SOLDER PAD GEOMETRY



Notes:

- Termination pads (#1, #4), barrier-plating is nickel (Ni) with gold (Au) flash plate.
- Terminations #2, #4 and the metal lid are connected internally.
End user may connect these pins to circuit ground.

TAPE AND REEL INFORMATION



Device quantity is 1,000 pieces per 180mm reel.

ENVIRONMENTAL SPECIFICATIONS

Temperature Cycle:	400 cycles from -55°C to $+125^{\circ}\text{C}$, 10 minute dwell at each temperature, 1 minute transfer time between temperatures.
Mechanical Shock:	1,500g's, 0.5mS duration, $\frac{1}{2}$ sinewave, 3 shocks each direction along 3 mutually perpendicular planes (18 total shocks).
Sinusoidal Vibration:	0.06 inches double amplitude, 10 to 55 Hz and 20g's, 55 to 2,000 Hz, 3 cycles each in 3 mutually perpendicular planes (9 times total).
Gross Leak:	No leak shall appear while immersed in an FC40 or equivalent liquid at $+125^{\circ}\text{C}$ for 20 seconds.
Fine Leak:	Mass spectrometer leak rates less than 2×10^{-8} ATM cc/sec air equivalent.
Resistance to Solder Heat:	Product must survive 3 reflows of $+260^{\circ}\text{C}$ peak, 10 seconds maximum.
High Temperature Operating Bias:	2,000 hours at $+125^{\circ}\text{C}$, disregarding frequency shift.
Frequency Aging:	1,000 hours at $+85^{\circ}\text{C}$, maximum ± 5 ppm shift.
Insulation Resistance:	500M Ohms @ $100\text{V}_{\text{DC}} \pm 15\text{V}_{\text{DC}}$.
Moisture Sensitivity Level:	Level 1 per JEDEC J-STD-020.