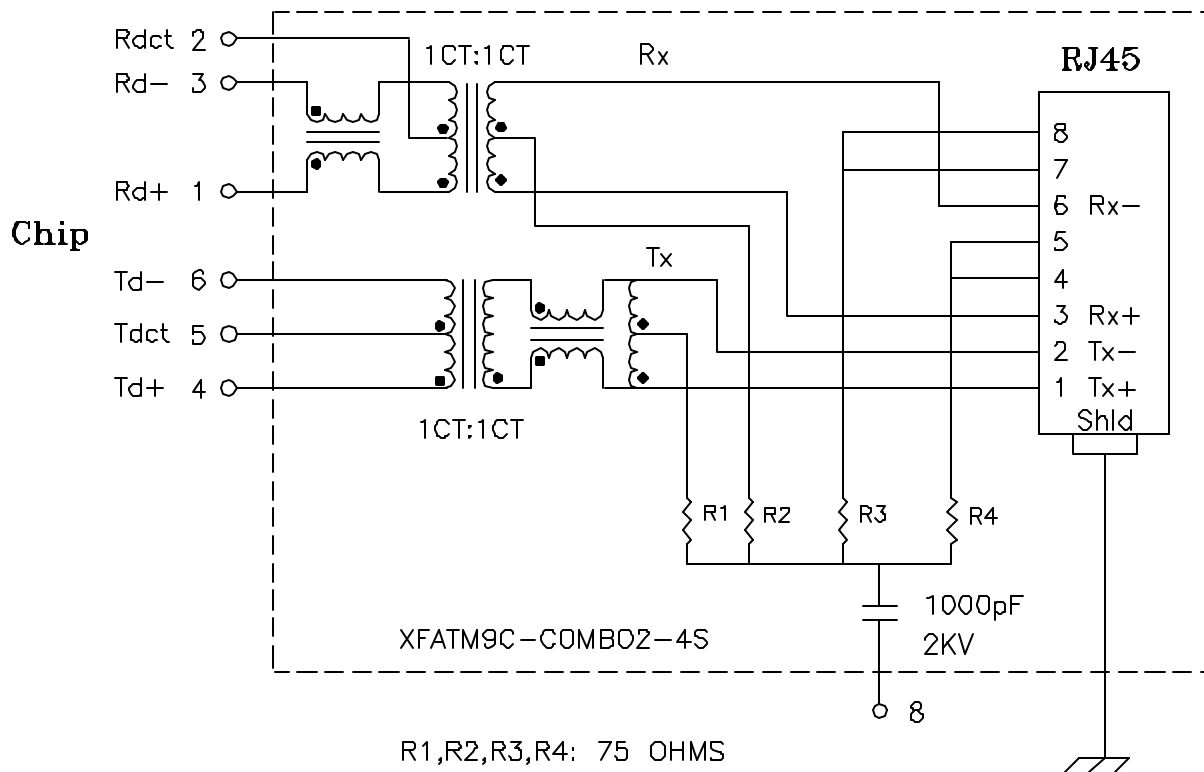


## Schematic:

(One of Two)



## Electrical Specifications: @25°C

Isolation Voltage: 1500 Vrms (Input to Output)

Isolation Voltage: 500 Vrms (P1+2+3 to P4+5+6)

Turns Ratio: TX 1CT:1CT  $\pm 3\%$  RX 1CT:1CT  $\pm 3\%$

CABLE SIDE OCL: 350uH Minimum @100KHz 100mV 8mADC

Cw/w: 27pF Typical @100KHz 100mV

Insertion Loss (300KHz-100MHz): 1.0dB Max.

Return Loss: @30MHz 18dB Minimum

@80MHz 12dB Minimum

### Note:

1. Solderability: Leads shall meet MIL-STD-202, Method 208D for solderability.
2. Flammability: UL94V-0,
3. ASTM oxygen index: > 28% ,
4. Operating Temperature Range: 0°C to +70°C

**XFMRs Inc.**

Title:

**DUAL PORT COMBO**

UNLESS OTHERWISE SPECIFIED  
TOLERANCES:  
.xxx  $\pm 0.010$

P/N: XFATM9C-COMBO2-4S

REV. A

DWN.

康玉坤

Jul-19-01

Dimensions in Inch

CHK.

李清儿

Jul-19-01

DOC. REV: A/1

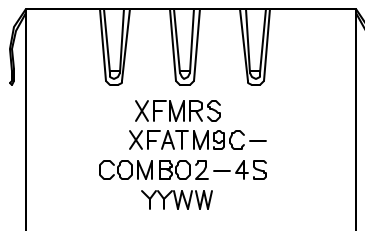
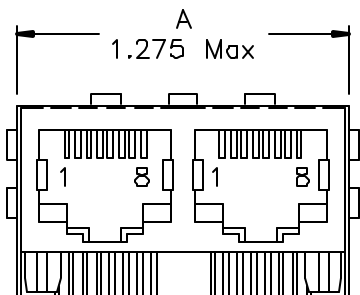
SHEET 1 OF 2

APP.

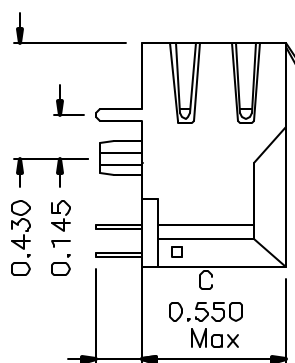
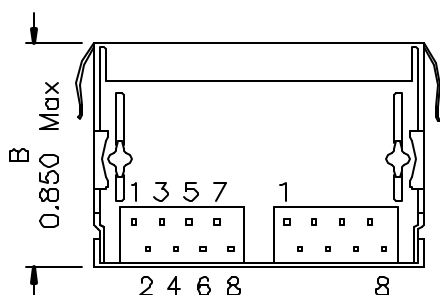
BW

Jul-19-01

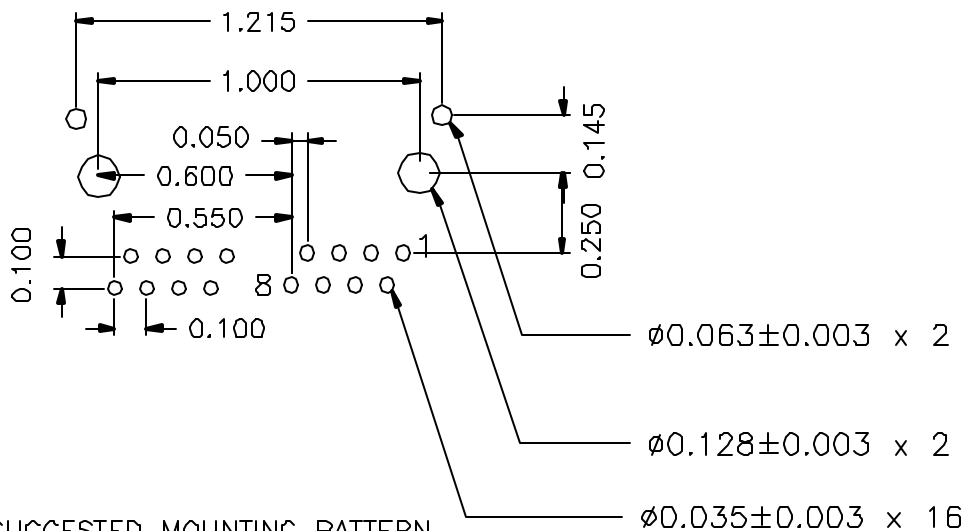
# Mechanical Dimensions: (FOR COMB02-4S)



TOP VIEW



D  
0.120 Min



SUGGESTED MOUNTING PATTERN

<b>XFMRS Inc.</b>	Title: Mechanical Dimensions For COMB02-4S Series			
	UNLESS OTHERWISE SPECIFIED TOLERANCES: .xxx ±0.010 Dimensions in Inch		P/N: XFATM9C-COMB02-4S	REV. A
DOC. REV: A/1	SHEET 2 OF 2	DWN.	廖玉坤	Jul-19-01
		CHK.	李清儿	Jul-19-01
		APP.	BW	Jul-19-01