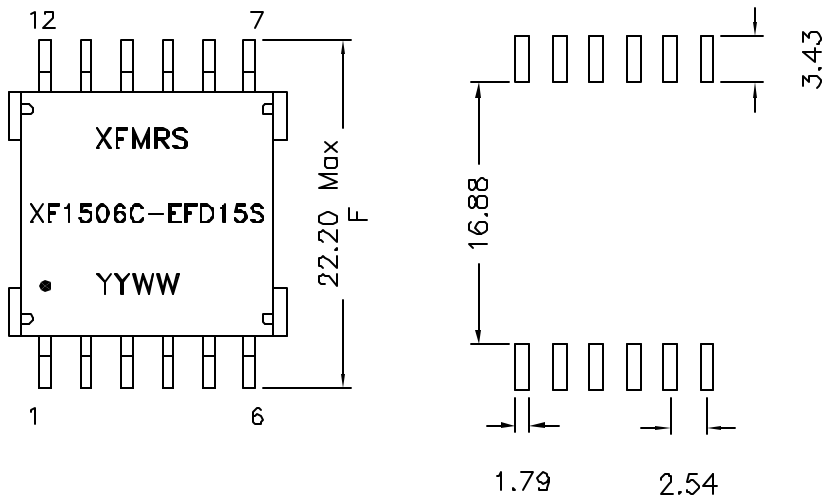
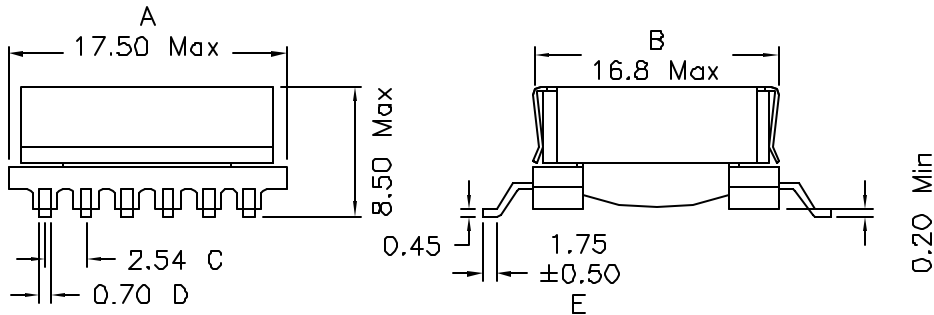


1. Mechanical Dimensions:



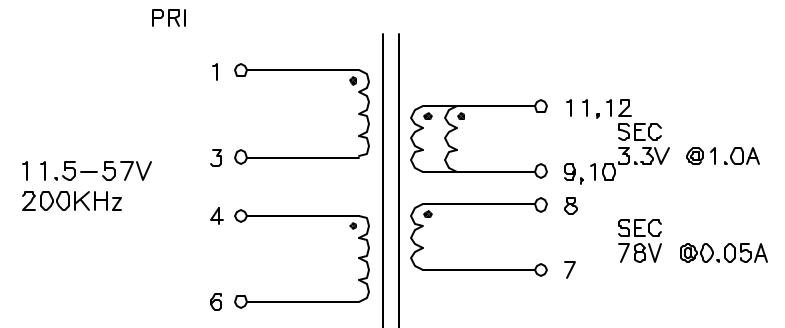
Suggested PCB Layout

Notes:

1. Solderability: Leads shall meet MIL-STD-202G, Method 208H for solderability.
2. Flammability: UL94V-0
3. ASTM oxygen Index: > 28%
4. Insulation System: Class F 155°C. UL file E151556
5. Operating Temperature Range: All listed parameters are to be within tolerance from -40°C to +85°C
6. Storage Temperature Range: -55°C to +125°C
7. Aqueous wash compatible
8. SMD Lead Coplanarity: $\pm 0.004^\circ$ (D.102mm)
9. Electrical and mechanical specifications 100% tested
10. RoHS Compliant Component

DOC REV: A/2

2. Schematic:



44-57V input Pins 1-6 Tie Pins 3+4 on PCB
12V input Pins 1-3

3. Electrical Specifications:

OCL: Pins 1-3 11.8uH \pm 10% @100KHz 0.10V
 OCL: Pins 1-6 150uH \pm 10% @100KHz 0.10V
 OCL: Pins 1-6 137.5uH Min @100KHz 0.10V, 1.20Adc
 LL: Pins 1-6 tbd uH Max @100KHz 0.10V Short all else
 Q: Pins 1-6 tbd Min @100KHz 0.10V
 DCR: Pins 1-3 0.040 Ohms Max
 DCR: Pins 4-6 0.210 Ohms Max
 DCR: Pins 11,12-9,10 0.013 Ohms Max
 DCR: Pins 8-7 4.40 Ohms Max
 TURNS RATIO: Pins (1-3):(11,12-9,10)=3.5:1
 TURNS RATIO: Pins (1-3):(8-7)=1:6.28
 TURNS RATIO: Pins (1-3):(4-6)=1:2.57
 HIPOT: 1500Vac, PRI to SEC
 HIPOT: 500Vac, All Wdgs to Core

XFMRs, Inc www.XFMRs.com	Title: TRANSFORMER		
UNLESS OTHERWISE SPECIFIED TOLERANCES: .xx \pm 0.20 Dimensions in MM	P/N: XF1506C-EFD15S		REV. A
	DWN.	Juan Mao	Oct-16-08
	CHK.	YK Liao	Oct-16-08
Scale 2.5:1 SHT 1 OF 1	APP.	BW	Oct-16-08

PROPRIETARY Document is the property of XFMRs Group & is not allowed to be duplicated without authorization.