

PLEASE CHECK WWW.MOLEX.COM FOR LATEST PART INFORMATION

Part Number: **0191640075**
Status: **Active**
Description: Perma-Seal™ Male Quick Disconnect Tab for 10-12 AWG Wire, Tab Size 6.35mm (.250") x .81mm (.032")

Documents:

[Drawing \(PDF\)](#) [RoHS Certificate of Compliance \(PDF\)](#)

Agency Certification

CSA LR18689
 UL E79133

General

Product Family Quick Disconnects
 Series 19164
 Crimp Quality Equipment Yes
 Product Name Perma-Seal™
 Type Quick Disconnect

Physical

Barrel Type Closed
 Flammability 94V-0
 Gender Male
 Glow-Wire Compliant No
 Insulation NiAc™
 Lock to Mating Part None
 Material - Metal Brass
 Orientation Straight
 Packaging Type Bag
 Tab Thickness 0.81mm (.032")
 Tab Width 6.35mm (.250")
 Temperature Range - Operating -55°C to +125°C
 Wire Insulation Diameter 5.84mm (.230") max.
 Wire Size AWG 10, 12
 Wire Size mm² 4.00 - 6.00

Electrical

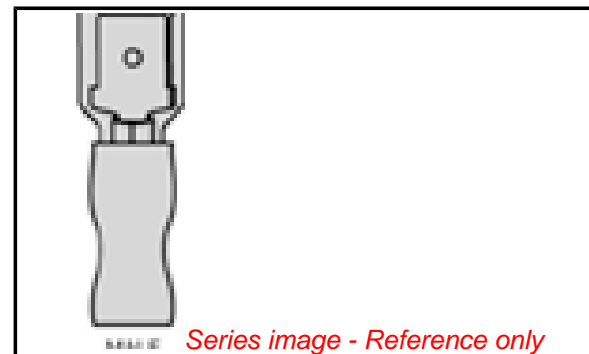
Voltage - Maximum 600V

Material Info

Old Part Number SC-9280

Reference - Drawing Numbers

Sales Drawing SD-19164-039



EU RoHS

ELV and RoHS Compliant
REACH SVHC
 Not Reviewed
Halogen-Free Status
 Not Reviewed

China RoHS



Need more information on product environmental compliance?

Email productcompliance@molex.com
 For a multiple part number RoHS Certificate of Compliance, [click here](#)

Please visit the [Contact Us](#) section for any non-product compliance questions.

Search Parts in this Series

19164Series

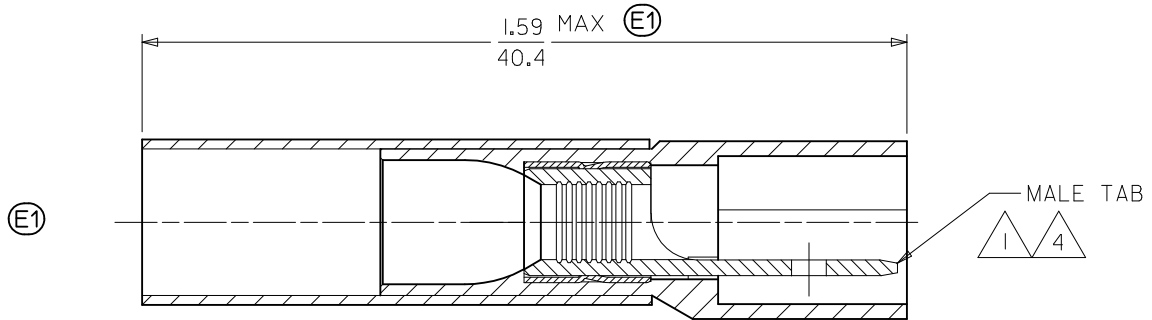
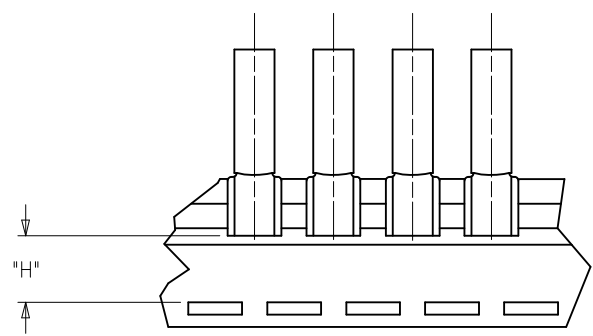
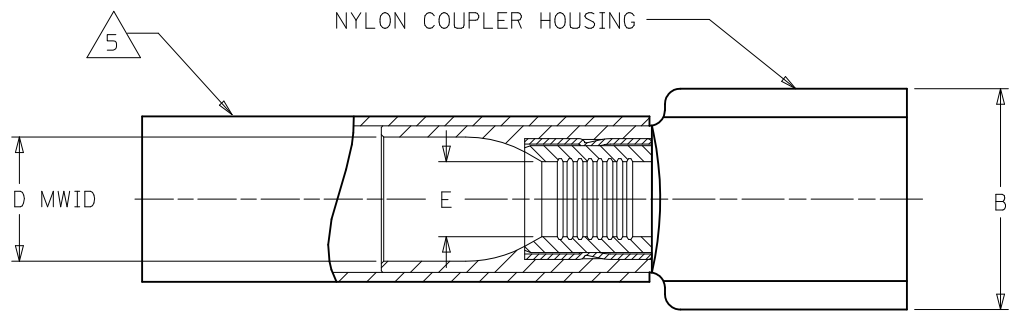
Application Tooling | FAQ

Tooling specifications and manuals are found by selecting the products below. Crimp Height Specifications are then contained in the Application Tooling Specification document.

Global

Description	Product #
Hand Crimp Tool	0640016100

MATERIAL NUMBER	ENG. NUMBER	TAPE MATERIAL NUMBER	TAPE ENG NUMBER	WIRE SIZE AWG	WIRE SIZE MM SQ.	NYLON COLOR	B MAX.	D (E1) MWID	E MIN. DIA.	F MAX. DIA.	H (E1) NOMINAL
191640015	SAA-9260	191640016	SAA-9260T	22-18	.25-1.5	RED	.45/11.4	.17/4.3	.049/1.25	.29/7.4	.47/12.0
191640048	SBB-9262	191640049	SBB-9262T	16-14	1.0-2.5	BLUE	.45/11.4	.18 /4.5	.082/2.08	.31/7.9	.47/12.0
191640075	SC-9280	N/A	N/A	12-10	4.0-6.0	YELLOW	.46/11.7	.23/5.8	.148/3.76	.39/9.9	N/A



- NOTES:
- (E1) 1. MALE TAB CONFORMS TO UL310.
 - 2. ALL DIMENSIONS SHOWN ARE BEFORE SHRINK TUBING IS HEATED.
 - 3. "MWID" DENOTES MAX. WIRE INSULATION DIA.
 - (E1) 4. TAB MATERIAL: COPPER ALLOY, PLATING: TIN
 - (E1) 5. NYLON HEAT SHRINKABLE TUBING WITH HOTMELT INNER LINER. SEE CHART FOR COLOR.
 - (E1) 6. ALL PARTS ARE ROHS COMPLIANT.

SALES DRAWING

CORRECT SPECS EC NO: WNA2010-015 DRW: NETHRODAHL 2010/02/16 CHKD: JMACNEIL 2010/02/18 APPR: JMACNEIL 2010/02/22	QUALITY SYMBOLS	GENERAL TOLERANCES (UNLESS SPECIFIED)	DIMENSION STYLE	SCALE	DESIGN UNITS	THIRD ANGLE PROJECTION
	▽=0	mm INCH	IN/MM	---	INCH	
	▽=0	4 PLACES ± --- ± ---	DRAWN BY DATE			
		3 PLACES ± --- ± ---	BRE 2002/10/25	TITLE		
	2 PLACES ± --- ± ---	CHECKED BY DATE				PERMA-SEAL COUPLER MALE TAB TERMINAL
	1 PLACE ± --- ± ---	HEB 2002/10/25				
	ANGULAR ± ---°	APPROVED BY DATE				MOLEX INCORPORATED
		RWD 2002/10/25				
		MATERIAL NO.	SEE CHART			DOCUMENT NO.
		SIZE B				SD-19164-039
			THIS DRAWING CONTAINS INFORMATION THAT IS PROPRIETARY TO MOLEX INCORPORATED AND SHOULD NOT BE USED WITHOUT WRITTEN PERMISSION			SHEET NO. 1 OF 1