



DESCRIPTION

PT2308L is a Class AB stereo headphone driver chip utilizing CMOS Technology specially designed for portable digital audio applications. It is housed in an 8-pin DIP or SO package and is functionally compatible with TDA1308. Pin assignments and application circuit are optimized for lower cost effectiveness and easy PCB Layout

FEATURES

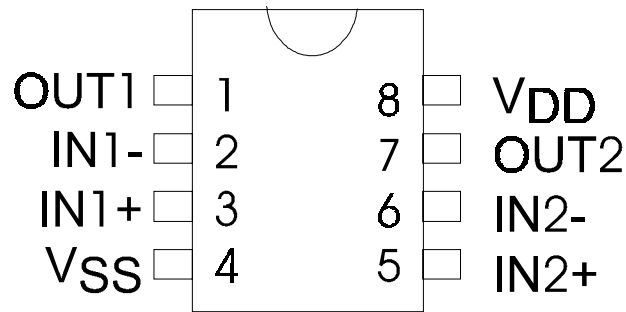
- CMOS Technology
- Low Power Consumption
- Wide Temperature Range
- Excellent Power Supply Ripple Rejection
- High Signal-to-Noise Ratio, S/N=110dB
- Low Harmonic Distortion, THD= 0.001%
- Large Output Voltage Swing
- Low Supply Voltage Available (VDD=2V)

APPLICATIONS

- Portable Digital Audio
- Hi-fi Audio System
- Walkman
- CD-ROM



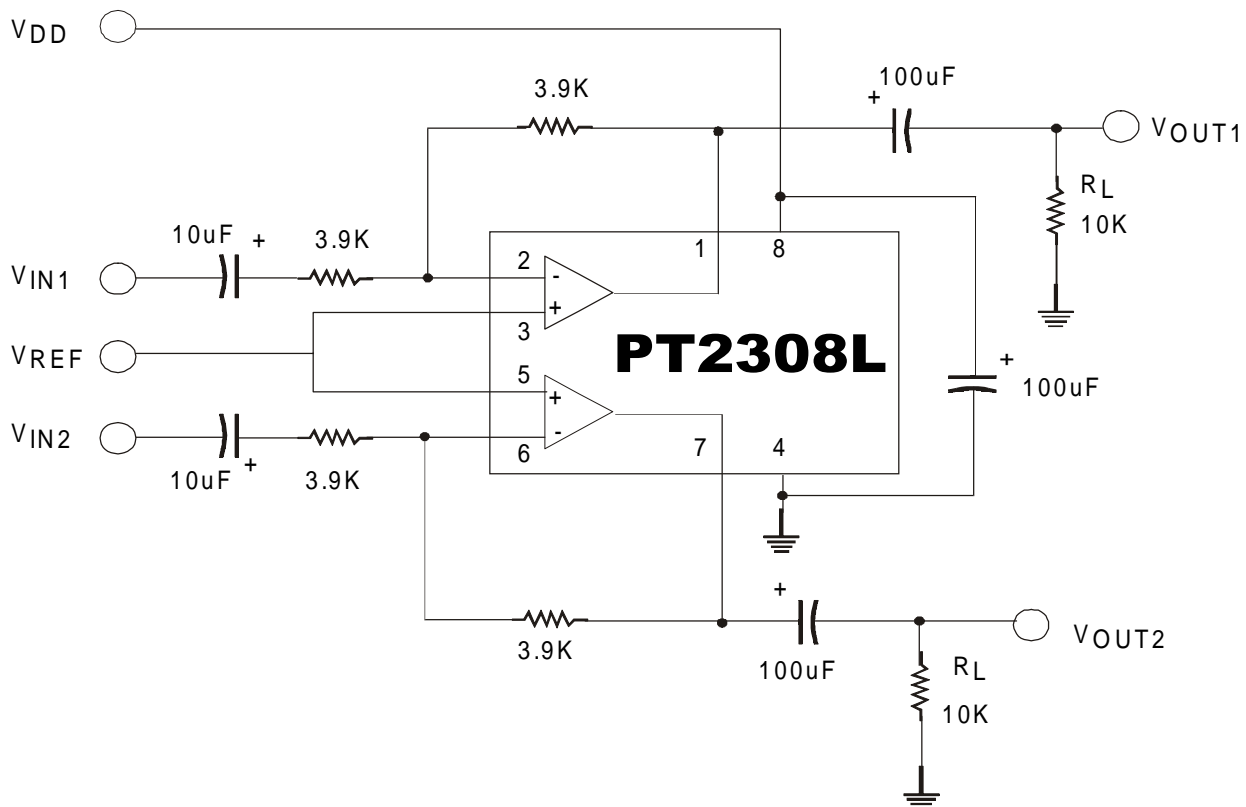
PIN CONFIGURATION



PT2308L

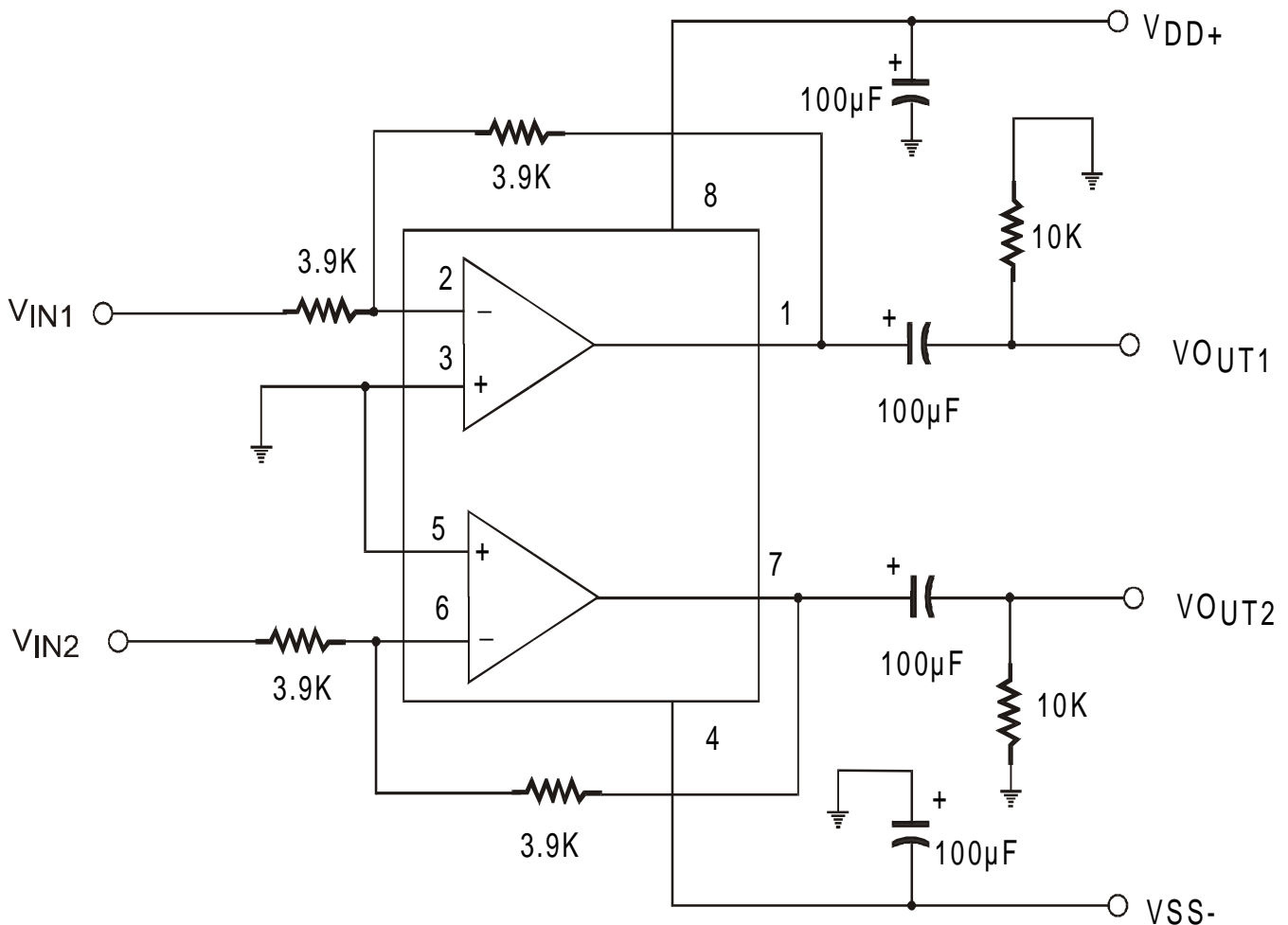
APPLICATION CIRCUITS

PT2308L Application Circuit (Single Power Supply)





PT2308L Application Circuit (Dual Power Supply)



ORDER INFORMATION

Valid Part Number	Package
PT2308L	8 Pins, DIP (300 mil)
PT2308L-S	8 Pins, SO (150 mil)