

PolySwitch® PTC Devices

Overcurrent Protection Device

PRODUCT: LVB125

DOCUMENT: SCD28306
REV LETTER: B
REV DATE: APRIL 12, 2012
PAGE NO.: 1 OF 2

Specification Status: Released

Rated Operating Voltage at 25 °C:

240 V_{AC}

Maximum Interrupt Voltage / Current at 25 °C:

265 V_{AC}, 12.5 A

Insulating Material:

Glass reinforced PBT (meeting UL94 V-0 requirements)

Lead Material:

20 AWG Tin-Plated Copper (0.81mm/0.032" nominal diameter)

Marking:

— Manufacturer's Mark
XX B125 and Part Identification

□□□□ — Lot Identification

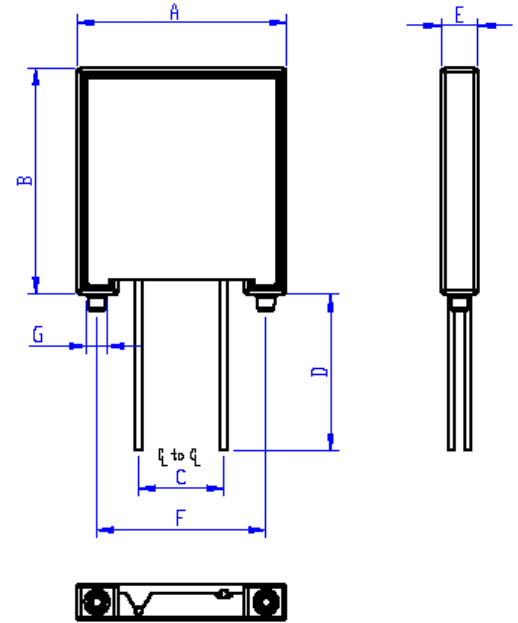


TABLE I. DIMENSIONS:

	A		B		C		D		E		F		G	
	MIN	MAX	MIN	MAX	MIN	MAX	MIN	MAX	MIN	MAX	MIN	MAX	MIN	MAX
mm:	24.8	25.2	26.8	27.2	8.9	11.4	5.1	--	4.2	4.6	20.0	20.3	2.3	2.5
In*:	(0.98)	(0.99)	(1.06)	(1.07)	(0.35)	(0.45)	(0.20)	(--)	(0.17)	(0.18)	(0.79)	(0.80)	(0.09)	(0.10)

*Rounded off approximation

TABLE II. PERFORMANCE RATINGS @ 25 °C:

HOLD CURRENT (A)	TRIP CURRENT (A)	RESISTANCE (Ω)		TIME TO TRIP(SEC) @ 8 A	POST-TRIP RESISTANCE (Ω)	OPERATING TEMPERATURE (°C)		TRIPPED-STATE POWER DISSIPATION @ 240 V (W)
		MIN	MAX	MAX	MAX	MIN	MAX	MAX
1.25	2.50	0.152	0.292	5	0.482	-40	85	4

Agency Recognitions:
Reference Documents:
Precedence:
Effectivity:
Caution:

UL
PS300, UL1434
This specification takes precedence over documents referenced herein.
Reference documents shall be the issue in effect on the date of invitation for bid.
Operation beyond the rated voltage or current may result in rupture, electrical arcing or flame.

Materials Information ROHS Compliant

Directive 2002/95/EC
Compliant

ELV Compliant

Directive 2000/53/EC
Compliant

Pb-Free





Warning: Application Limitations for the LVB Product Line

1. Users should independently evaluate the suitability of and test each product selected for their own application.
2. This product should not be used in an application where the maximum interrupt voltage or maximum interrupt current can be exceeded in a fault condition. Operation beyond the maximum ratings or improper use may result in device damage and possible electrical arcing and flame.
3. A PPTC device is not a fuse - it is a nonlinear thermistor that limits current. Under a fault condition all PPTC devices go into a high resistance state but do not open circuit, so hazardous voltage may be present at PPTC locations.
4. The devices are intended for protection against occasional overcurrent or overtemperature fault conditions and should not be used when repeated fault conditions or prolonged trip events are anticipated.
5. In most applications, power must be removed and the fault condition cleared in order to reset a PPTC device; however, under certain unusual conditions, a PPTC device may automatically reset. PPTC devices should not be used in an application where an automatic reset could create a safety hazard, such as garbage disposals and blenders. Appropriate qualification testing should be performed.
6. It is the responsibility of the user to determine the need for back up or fail safe protection to prevent damage that may occur in the event of abnormal function or failure of the PTC device.
7. Operation in circuits with a large inductance can generate a circuit voltage (Ldi/dt) above the rated voltage of a PPTC device. This product should not be used in an application where the maximum interrupt voltage or maximum interrupt current can be exceeded by inductive spikes.
8. Devices are not recommended for reflow soldering.
9. Device performance can be impacted negatively if devices are handled in a manner inconsistent with recommended electronic, thermal, or mechanical procedures for electronic components.