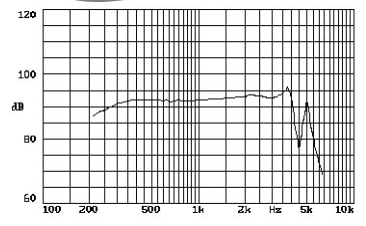
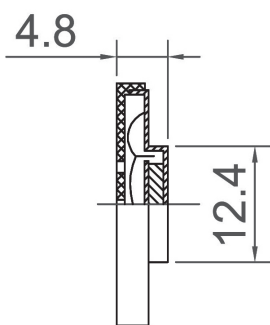
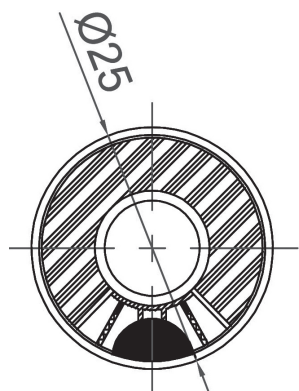
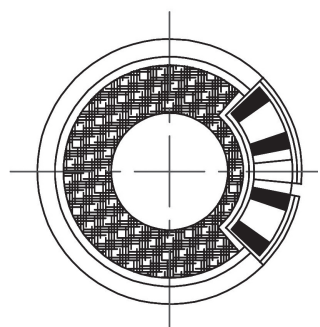
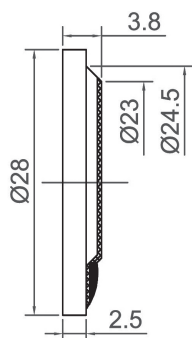
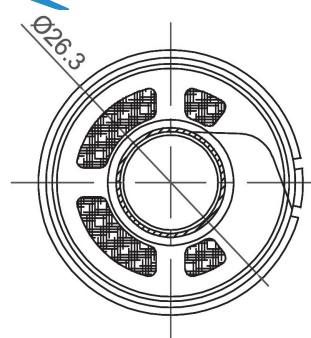
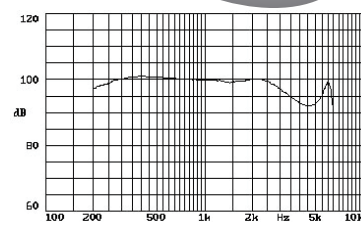


Dynamic Receiver

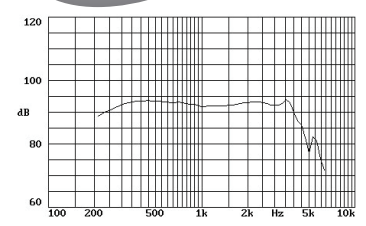
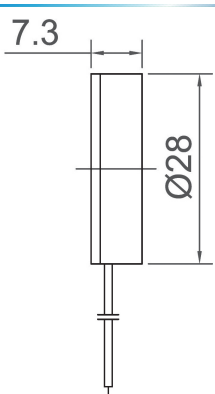
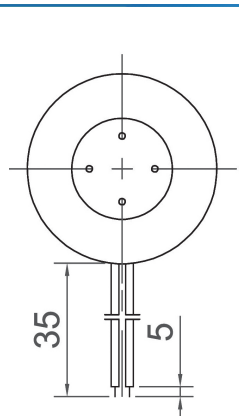


Canopus Part no.	Sensitivity At 1KHz (dB)	AC Impedance At 1KHz (Ω)	Input At 1KHz	Terminal	Housing	Weight (g)	HAC Compatible
CDR2505G090BZ	90 \pm 3	150 \pm 20%	60mV	Solder Pad	ABS	4.5	Optional

CANOPUS



Canopus Part no.	Sensitivity At 1KHz (dB)	AC Impedance At 1KHz (Ω)	Input At 1KHz	Terminal	Housing	Weight (g)	HAC Compatible
CDR2804G110BZ	110 \pm 3	150 \pm 20%	100mV	Solder Pad	ABS	2.9	NIL



Canopus Part no.	Sensitivity At 1KHz (dB)	AC Impedance At 1KHz (Ω)	Input At 1KHz	Terminal	Housing	Weight (g)	HAC Compatible
CDR2807G093BW	93 \pm 3	150 \pm 20%	60mV	Leadwire	ABS	8	Optional

Your Efficient Supplier
www.canopus.com.hk

TEL.: (852) 2806 2812 Fax: (852) 2652 2216