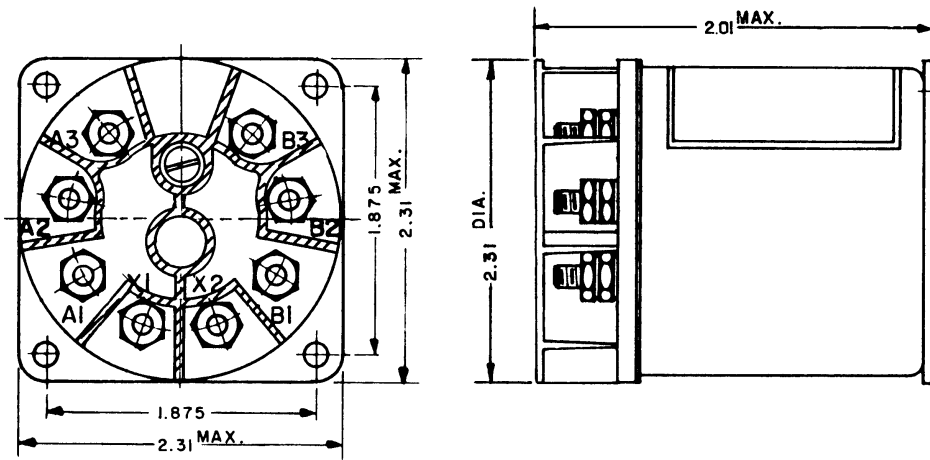


**C-8B 2PDT N.C., 15 Amps,
28 VDC, 60 or 400 Hz**

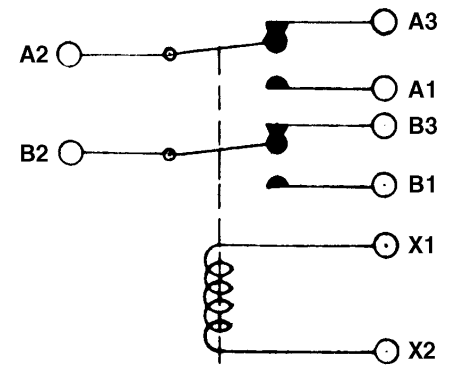


Features:

- 2PDT N.C. Main Contacts
- 28 VDC or 400 Hz AC or 60 Hz AC
- 15 Amps
- High Reliability
- Meets many requirements of MIL-R-6106
- Light Weight Construction



CONTACTOR CONFIGURATION



Notes:

Dimensions for this product are expressed in inches. Multiply values by 25.4 for millimeters.

PRODUCT SPECIFICATIONS	
Construction	Gasket Sealed
Main Contacts:	
Configuration	2PDT
Voltage (Nominal)	28 VDC
Current (Resistive)	15 Amps DC or 400 Hz, 10 Amps at 60 Hz
Coil Data:	
Duty Cycle	Continuous
Voltage (Nominal)	28 VDC
Pick-Up Voltage	18 VDC Maximum
Drop-Out Voltage	1.5 - 7 VDC
Coil Current @ 28 VDC & +25°C	
In-Rush	0.11 Amp
Hold	0.11 Amp
Operating Temperature	-55°C to +71°C
Life:	
Electrical	50,000
Mechanical	100,000 Cycles
Weight Maximum	.6 Lbs.

For factory-direct application assistance, contact the HARTMAN product team at (419) 521-9500, Fax (419) 526-2749.

© 2004 by Tyco Electronics Corporation. All Rights Reserved. HARTMAN and TYCO are trademarks.