

PLEASE CHECK WWW.MOLEX.COM FOR LATEST PART INFORMATION

Part Number: [0579819802](#)
Status: **Active**
Description: 6.35mm (.250") Tab Quick Disconnect Terminal, Female, 14-18 AWG, Pre-Tin Plated

Documents:

[Drawing \(PDF\)](#) [RoHS Certificate of Compliance \(PDF\)](#)
[Product Specification PS-57981-001 \(PDF\)](#)

Agency Certification

UL E92853

General

Product Family Quick Disconnects
 Series [57981](#)
 Crimp Quality Equipment Yes
 Product Name N/A
 Type Quick Disconnect

Physical

Barrel Type Open
 Gender Female
 Glow-Wire Compliant No
 Insulation None
 Lock to Mating Part Yes
 Material - Metal Brass
 Orientation Straight
 Packaging Type Reel
 Polarized to Mating Part Yes
 Tab Thickness 0.60mm (.024"), 0.81mm (.032"), 1.00mm (.039")
 Tab Width 6.35mm (.250")
 Temperature Range - Operating -40°C to +105°C
 Wire Insulation Diameter 1.50-3.10mm (.060-.122") max.
 Wire Size AWG 14, 16, 18
 Wire Size mm² 0.85 - 2.00

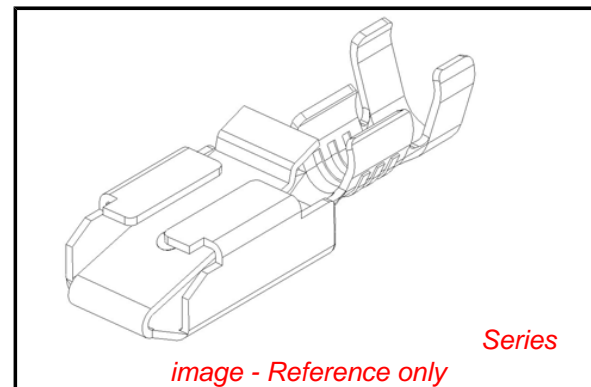
Electrical

Voltage - Maximum 250V

Material Info

Reference - Drawing Numbers

Product Specification PS-57981-001
 Sales Drawing SD-57981-001



EU RoHS

ELV and RoHS Compliant
REACH SVHC Contains SVHC: No
Halogen-Free Status

China RoHS



Halogen-Free

Need more information on product environmental compliance?

Email productcompliance@molex.com
 For a multiple part number RoHS Certificate of Compliance, [click here](#)

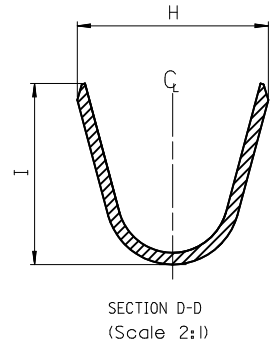
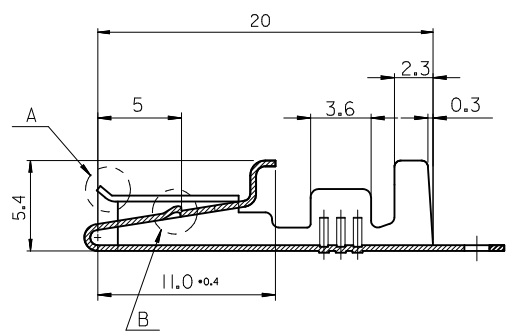
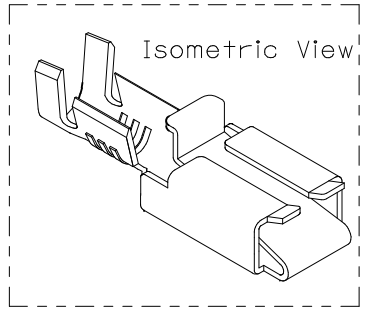
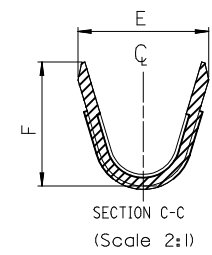
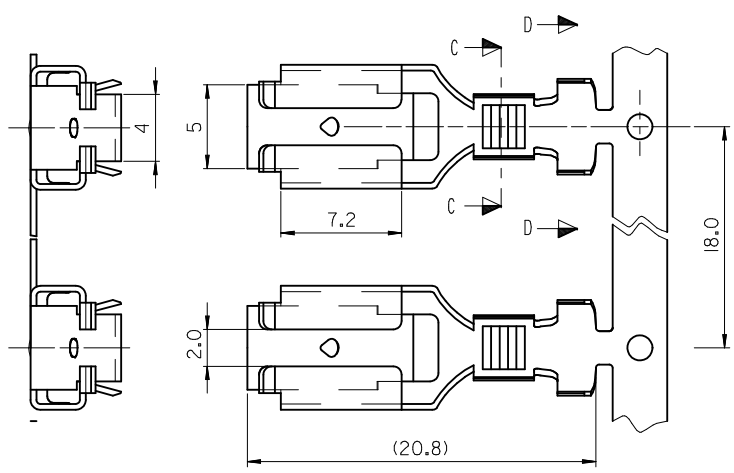
Please visit the [Contact Us](#) section for any non-product compliance questions.

Search Parts in this Series

[57981Series](#)

Use With

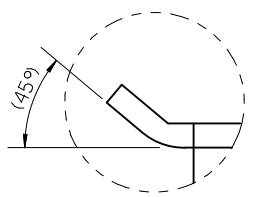
DFA-250NR(K) PVC Sleeve



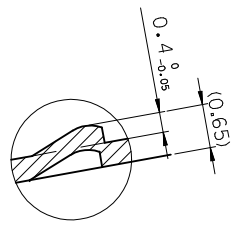
NOTE

1. MATERIAL : BRASS 0.35 ± 0.1 Thickness
2. FINISH : PRE-TIN PLATING (2-3um TIN OVERALL COPPER)
3. MATING TAB WIDTH : 6.35mm MAX.
4. APPLICABLE TAB THICKNESS : 0.6mm - 1.0mm
5. PRODUCTION SPECIFICATION NO : PS-57981-001
6. Applicable Sleeve : See TABLE

DESCRIPTION	MATERIAL	TEMPERATURE	RATING	REFERENCE
PVC SLEEVE	PVC	105°C	600VAC	
MAKER	DAEIL COATING CO.	PART NO	DFA-250NR(K)	



DETAIL A (Scale 4:1)



DETAIL B (Scale 4:1)

Material	ENG.NO.	Material NO.	E	F	H	I	WIRE SIZE	INSUL.DIA.	MATING TAB THICK'
BRASS	E-57981-9802	579819802	3.9	3.6	5.7	5.4	AWG#22-18	1.5-3.1	0.6 ± 1.0 ±

REVISED	EC NO: KOR2010-0188	2010/05/14
	DRWN: JHPARK01	2010/05/17
	CHKD: KSKIM	2010/05/17
	APPR: YUNSIKKIM	2010/05/17
REV	DESCRIPTION	

QUALITY SYMBOLS	▽=0
	∇=0
GENERAL TOLERANCES (UNLESS SPECIFIED)	
	mm INCH
4 PLACES	± --- ± ---
3 PLACES	± --- ± ---
2 PLACES	± 0.20 ± ---
1 PLACE	± 0.30 ± ---
ANGULAR ± 1 °	
DRAFT WHERE APPLICABLE MUST REMAIN WITHIN DIMENSIONS	

DIMENSION STYLE		SCALE	DESIGN UNITS
MM ONLY		1:1	METRIC
DRAWN BY	DATE	TITLE	
YS00.KIM		.250 RECEPTACLE TERMINAL	
CHECKED BY	DATE		
YSIK.KIM			
APPROVED BY	DATE		
CW.LEE			
MATERIAL NO.	DOCUMENT NO.	SHEET NO.	
579819802	SD-57981-001	1 OF 01	

THIRD ANGLE PROJECTION

MOLEX INCORPORATED

THIS DRAWING CONTAINS INFORMATION THAT IS PROPRIETARY TO MOLEX INCORPORATED AND SHOULD NOT BE USED WITHOUT WRITTEN PERMISSION