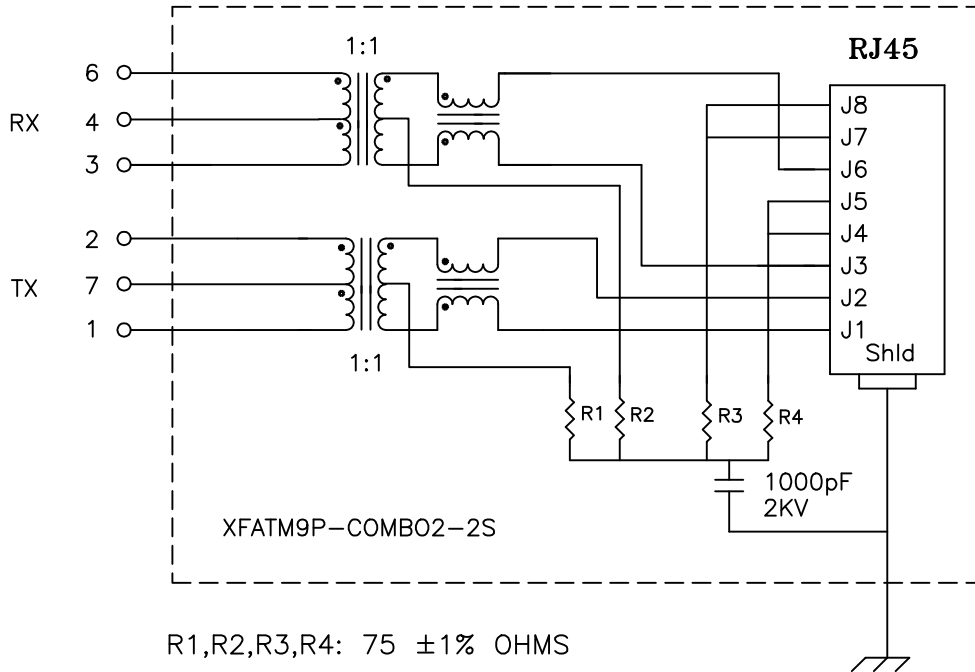


Schematic:



Electrical Specifications: @25°C

Isolation Voltage: 1500 Vac

Isolation Voltage: 500 Vac (1+2+4-3+6+7)

UTP SIDE OCL: 350uH Min @100KHz 100mV 8mADC

Rise Time (10-90%): 2.5ns Typical

Insertion Loss (300KHz-100MHz): -1.1dB Maximum

Insertion Loss (100MHz-125MHz): -1.5dB Maximum

Return Loss: -12dB Typical @300KHz - 100MHz

Crosstalk:

100KHz-60MHz -40dB Typical

60MHz-100MHz -38dB Typical

Common Mode to Differential Mode Rejection:

1MHz-100MHz -30dB Typ (Tx) / -30dB Typ (Rx)

200MHz -20dB Typ (Tx) / -20dB Typ (Rx)

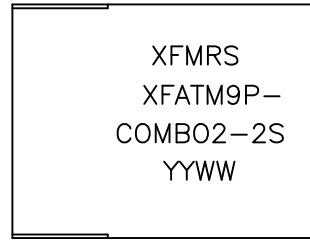
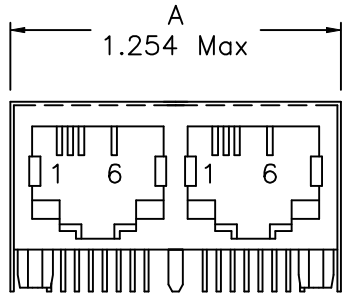
Notes:

1. Solderability: Leads shall meet MIL-STD-202, Method 208D for solderability.
2. Flammability: UL94V-0
3. ASTM oxygen index: > 28%
4. Insulation System: Class F 155°C. UL file E151556
5. Operating Temperature Range: -40°C to +85°C

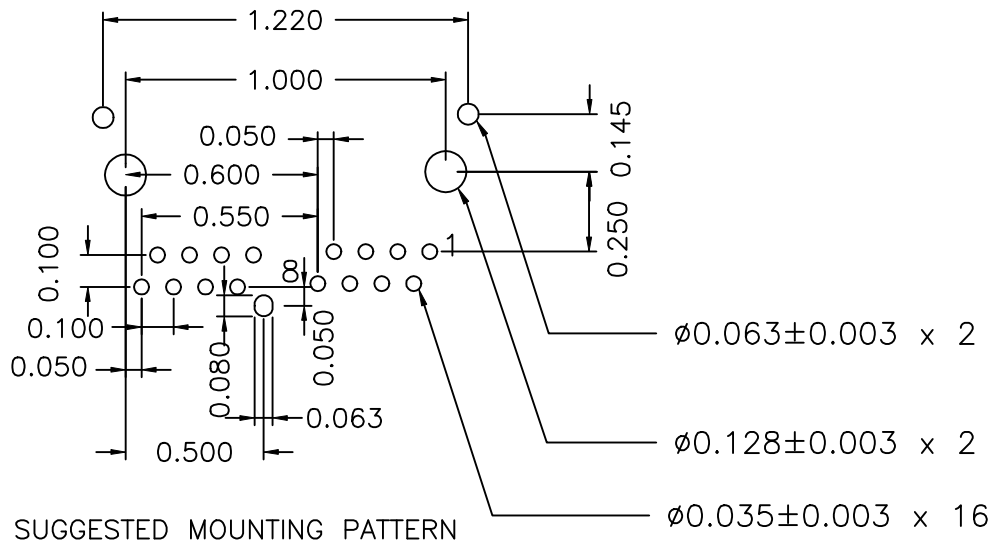
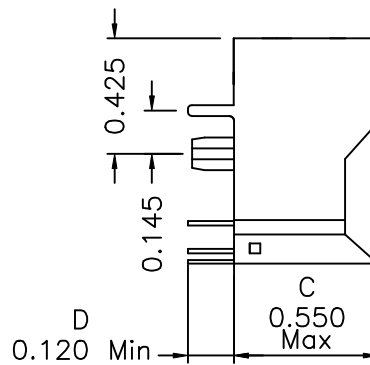
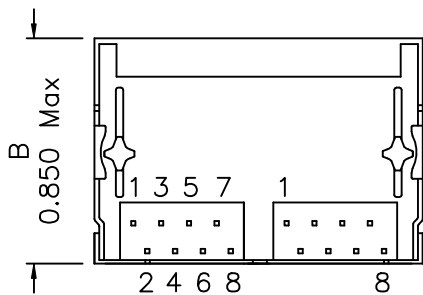
XFMRs Inc. UNLESS OTHERWISE SPECIFIED TOLERANCES: .xxx ±0.010 Dimensions in Inch SHEET 1 OF 2	Title:		DUAL PORT COMBO
	P/N: XFATM9P-COMBO2-2S		REV. A
	DWN.	李小锋	Jan-21-03
	CHK.	廖玉坤	Jan-21-03
	APP.	BW	Jan-21-03

DOC. REV: A/1

Mechanical Dimensions: (FOR COMB02-2S)



TOP VIEW



XFMRS Inc. UNLESS OTHERWISE SPECIFIED TOLERANCES: .xxx ±0.010 Dimensions in Inch SHEET 2 OF 2	Title: Mechanical Dimensions For COMB02-2S Series		
	P/N: XFATM9P-COMB02-2S		REV. A
	DWN.	李小锋	Jan-21-03
	CHK.	廖玉坤	Jan-21-03
	APP.	BW	Jan-21-03

DOC REV: A/1