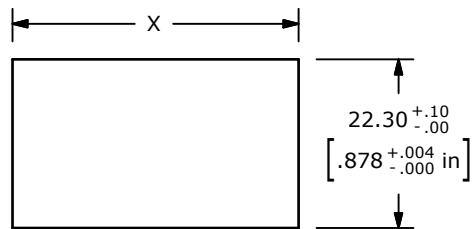
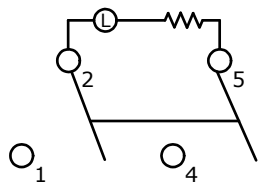
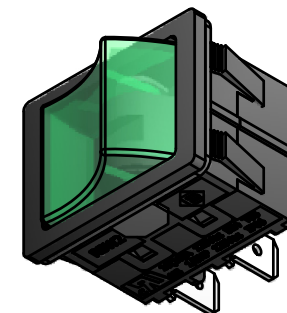
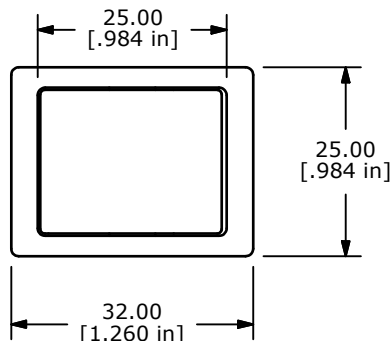


| SWITCH FUNCTION ▲ |        |          |
|-------------------|--------|----------|
| POS. 1            | POS. 2 | POS. 3   |
|                   |        |          |
| OFF               | N/A    | ON       |
| OPEN              | N/A    | 2-1, 5-4 |



RECOMMENDED PANEL MOUNTING

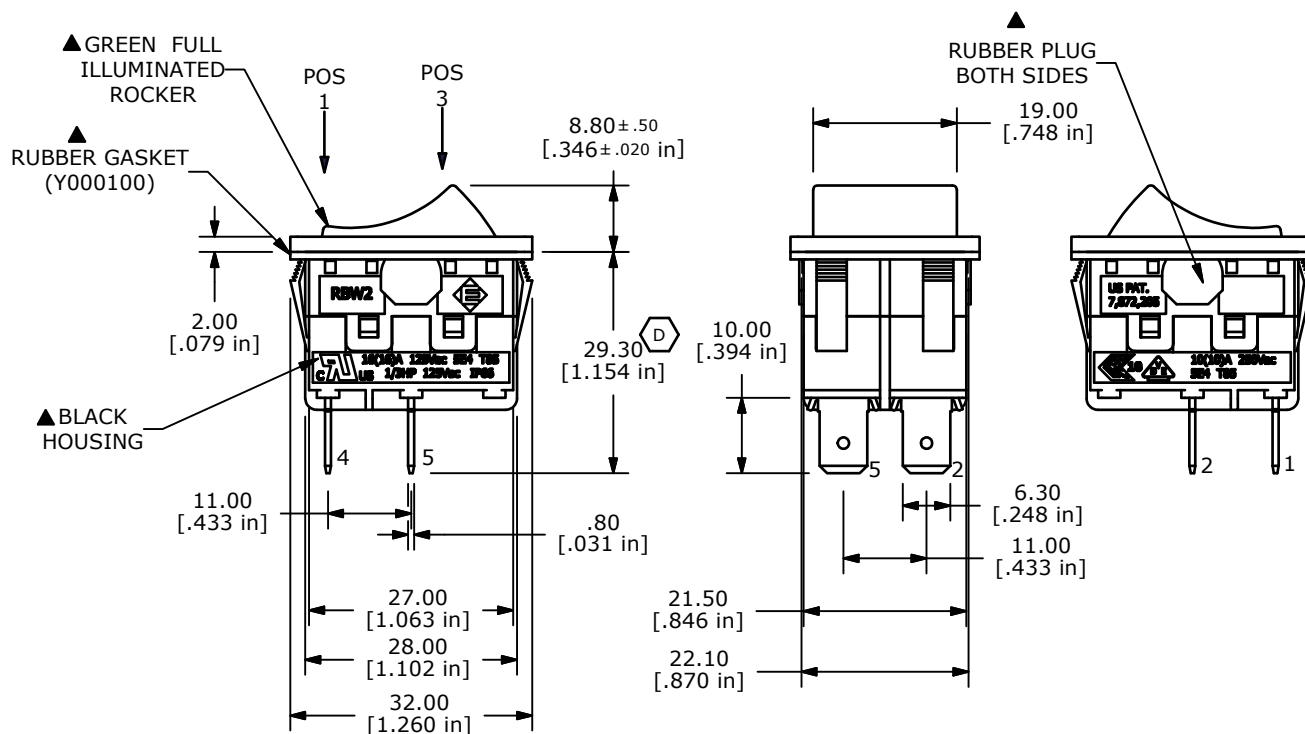
| PANEL THICKNESS | X         |
|-----------------|-----------|
| 1.2-1.8         | 29.9/30.0 |
| 1.8-2.4         | 30.3/30.4 |
| 2.4-3.0         | 30.7/30.8 |



CIRCUIT: SPDT FUNCTIONS

NOTES:

- ALL DIMENSIONS IN MM [INCH]
- GENERAL TOLERANCE: X.X=±0.4  
X.XX=±0.25
- TERM. NOS. FOR REF. ONLY
- RATING: CUL: 16(16)A 125VAC 5E4 T85  
1/3HP 125VAC IP66  
VDE: 10(10)A 250VAC 5E4 T85
- MECHANICAL LIFE: 50,000 CYCLES
- CONTACT RESISTANCE: <30 MILLI-OHMS INITIAL
- DIELECTRIC STRENGTH: 1000V AC 1MIN
- ▲ DENOTES CRITICAL PARAMETER.
- INSULATION RESISTANCE: 500M OHMS AT 500VDC
- OPERATING TEMP: -20°C to 85°C
- ▲ LAMP: 125VAC NEON
- RATING: IP66
- 2002/95/EC (ROHS) COMPLIANT



| REV | PCR NO | DESCRIPTION                         | DATE     | BY  |
|-----|--------|-------------------------------------|----------|-----|
| D   | 20086  | ADD RUBBER PLUG & GASKET, was 29.00 | 8/10/11  | BGL |
| C   | 19686  | UPDATE SYMBOLS ON BODY              | 02/16/11 | BMA |
| B   | 19564  | REMOVE TERMINALS 3 AND 6            | 01/06/11 | BMA |
| A   | 19551  | New Release                         | 12/29/10 | rc  |



TITLE RBW2ABLK GILEF1

| SCALE | DATE       | DR | DWG     | REV |
|-------|------------|----|---------|-----|
| 2:1   | 12/27/2010 | rc | Y100006 | D   |