

Features

- SMPTE 344M and SMPTE 259M compliant
- Dual coaxial cable driving outputs
- Selectable power down mode
- 50Ω differential PECL input
- Pb-free and RoHS compliant
- Seamless interface to other HD-LINX® III family products
- Single 3.3V power supply operation
- Operating temperature range: 0°C to 70°C

Applications

- SMPTE 344M and SMPTE 259M Coaxial Cable Serial Digital Interfaces.

Description

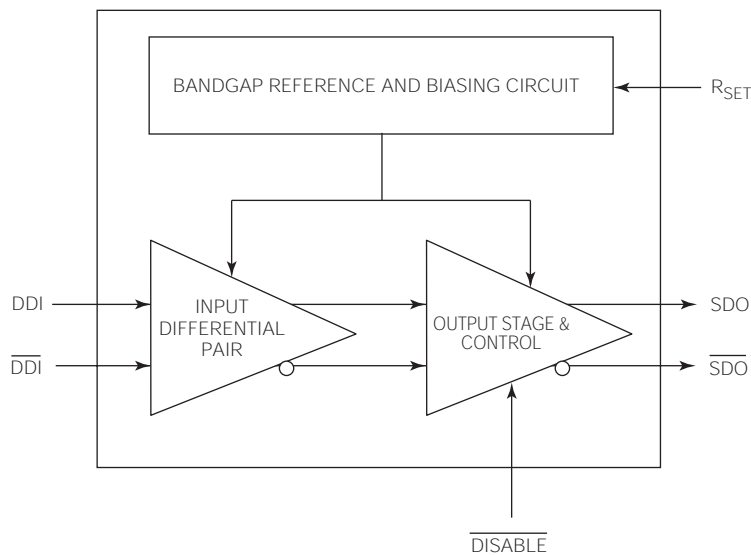
The GS9077 is a high-speed BiCMOS integrated circuit designed to drive one or two 75Ω co-axial cables.

The GS9077 may drive data rates up to 540Mb/s and provides a disable pin that may be used to power down the output stage.

The GS9077 accepts a LVPECL level differential input that may be AC coupled. External biasing resistors at the inputs are not required.

Power consumption is typically 168mW using a 3.3V power supply. The GS9077 is Pb-free, and the encapsulation compound does not contain halogenated flame retardant.

This component and all homogeneous subcomponents are RoHS compliant.



Functional Block Diagram

Contents

Features	1
Applications	1
Description	1
1. Pin Out	3
1.1 Pin Assignment	3
1.2 Pin Descriptions	3
2. Electrical Characteristics	4
2.1 Absolute Maximum Ratings	4
2.2 DC Electrical Characteristics	4
2.3 AC Electrical Characteristics	5
2.4 Solder Reflow Profiles	6
3. Input / Output Circuits	7
4. Detailed Description	8
4.1 Input Interfacing	8
4.2 Output Interfacing	8
4.2.1 Output Amplitude (RSET)	9
4.2.2 Output Disable	9
4.3 Output Return Loss Measurement	9
5. Application Information	10
5.1 PCB Layout	10
5.2 Typical Application Circuit	10
6. Package & Ordering Information	11
6.1 Package Dimensions	11
6.2 Recommended PCB Footprint	12
6.3 Packaging Data	12
6.4 Marking Diagram	13
6.5 Ordering Information	13
7. Revision History	14

1. Pin Out

1.1 Pin Assignment

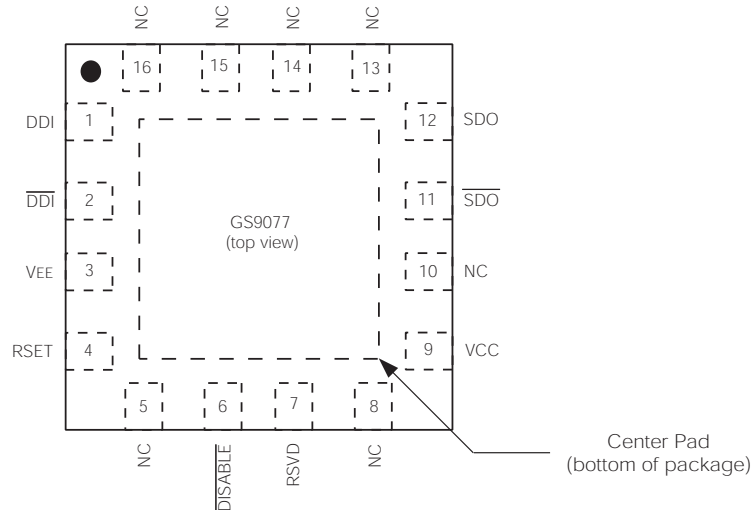


Figure 1-1: 16-Pin QFN

1.2 Pin Descriptions

Table 1-1: Pin Descriptions

Pin Number	Name	Timing	Type	Description
1,2	DDI, $\overline{\text{DDI}}$	Analog	Input	Serial digital differential input.
3	V_{EE}	–	Power	Most negative power supply connection. Connect to GND.
4	R_{SET}	Analog	Input	External output amplitude control resistor.
5,8,10,13,14, 15,16	NC	–	–	No Connect. Not bonded internally.
6	$\overline{\text{DISABLE}}$	Non Synchronous	Input	Serial output disable. When asserted LOW, the SDO/ $\overline{\text{SDO}}$ output driver is powered off. SDO/ $\overline{\text{SDO}}$ will float to V_{CC} through the pull-up resistor.
7	RSVD	–	Reserved	Do not connect.
9	V_{CC}	–	Power	Most positive power supply connection. Connect to +3.3V.
11,12	$\overline{\text{SDO}}$, SDO	Analog	Output	Serial digital differential output.
–	Center Pad	–	Power	Connect to most negative power supply plane following the recommendations in Recommended PCB Footprint on page 12 .

2. Electrical Characteristics

2.1 Absolute Maximum Ratings

Parameter	Value
Supply Voltage	-0.5V to 3.6 V _{DC}
Input ESD Voltage	4kV
Storage Temperature Range	-50°C < T _s < 125°C
Input Voltage Range (any input)	-0.3 to (V _{CC} +0.3)V
Operating Temperature Range	0°C to 70°C
Solder Reflow Temperature	260°C

NOTE: Absolute Maximum Ratings are those values beyond which damage to the device may occur. Functional operation under these conditions or at any other condition beyond those indicated in the AC/DC Electrical Characteristic sections is not implied.

2.2 DC Electrical Characteristics

Table 2-1: DC Electrical Characteristics

V_{CC} = 3.3V ±5%; T_A = 0°C to 70°C, unless otherwise shown

Parameter	Symbol	Conditions	Min	Typ	Max	Units
Supply Voltage	V _{CC}	–	3.135	3.3	3.465	V
Power Consumption	P _D	T _A = 25°C, SDO/SDO enabled	–	168	–	mW
		T _A = 25°C, SDO/SDO disabled	–	96	–	mW
Supply Current	I _s	T _A = 25°C, SDO/SDO enabled	–	51	–	mA
		T _A = 25°C, SDO/SDO disabled	–	29	–	mA
Output Voltage	V _{CMOUT}	Common mode	–	V _{CC} - V _{OUT}	–	V
Input Voltage	V _{CMIN}	Common mode	1.4 + ΔV _{DDI} /2	–	V _{CC} - ΔV _{DDI} /2	V
DISABLE Input	V _{IH}	I _{IH} ≤ 10 uA	2.0	–	–	V
	V _{IL}	I _{IL} ≤ 10 uA	–	–	0.8	V

2.3 AC Electrical Characteristics

Table 2-2: AC Electrical Characteristics

$V_{CC} = 3.3V \pm 5\%$; $T_A = 0^\circ C$ to $70^\circ C$, unless otherwise shown

Parameter	Symbol	Conditions	Min	Typ	Max	Units	Notes
Serial input data rate	DR_{SDO}	–	–	–	540	Mb/s	1
Additive jitter	–	270Mb/s	–	16	–	ps _{p-p}	–
Rise/Fall time	t_r, t_f	–	400	–	800	ps	2
Mismatch in rise/fall time	$\Delta t_r, \Delta t_f$	–	–	–	35	ps	–
Duty cycle distortion	–	–	–	–	100	ps	3
Overshoot	–	–	–	–	8	%	3
Output Return Loss	ORL	–	15	23	–	dB	4
Output Voltage Swing	V_{OUT}	$R_{SET} = 75\Omega$	750	800	850	mV _{p-p}	3
Input Voltage Swing	ΔV_{DDI}	Differential	300	–	2200	mV _{p-p}	–

NOTES:

1. The input coupling capacitor must be set accordingly for lower data rates.
2. Rise/Fall time measured between 20% and 80%.
3. Single Ended into 75Ω external load.
4. ORL depends on board design. The GS9077 achieves this specification on Gennum's evaluation boards.

2.4 Solder Reflow Profiles

The device is manufactured with Matte-Sn terminations and is compatible with both standard eutectic and Pb-free solder reflow profiles. MSL qualification was performed using the maximum Pb-free reflow profile shown in [Figure 2-1](#). The recommended standard Pb reflow profile is shown in [Figure 2-2](#).

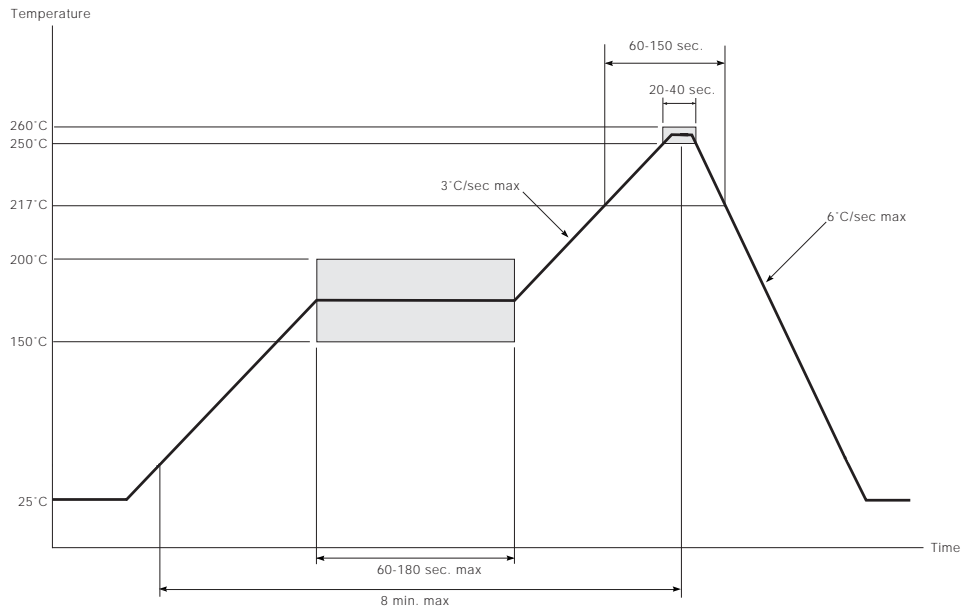


Figure 2-1: Maximum Pb-free Solder Reflow Profile (Preferred)

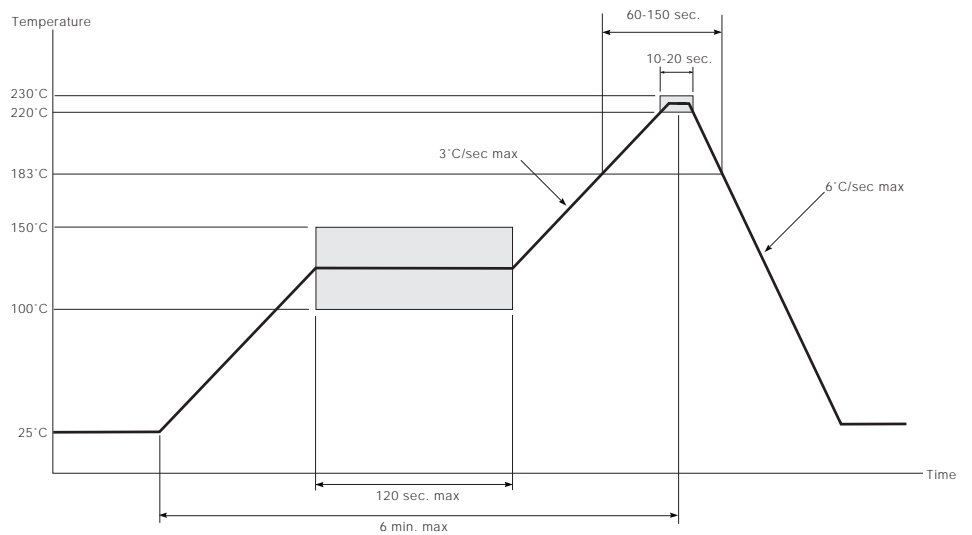


Figure 2-2: Standard Pb Reflow Profile

3. Input / Output Circuits

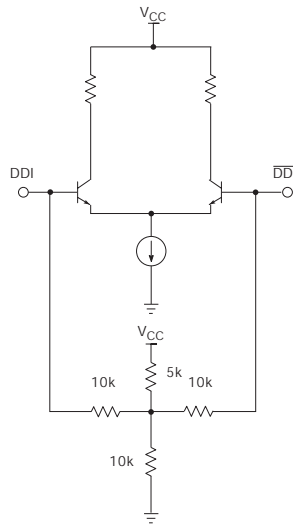


Figure 3-1: Differential Input Stage (DDI/ $\overline{\text{DDI}}$)

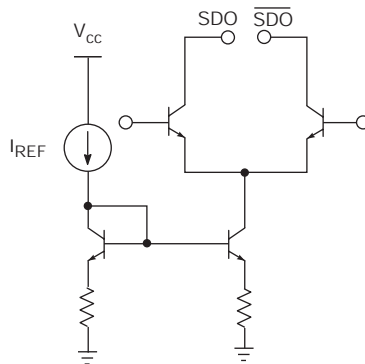


Figure 3-2: Differential Output Stage (SDO/ $\overline{\text{SDO}}$)

4. Detailed Description

4.1 Input Interfacing

DDI/ $\overline{\text{DDI}}$ are high impedance differential inputs. The equivalent input circuit is shown in [Figure 3-1](#).

Several conditions must be observed when interfacing to these inputs:

- The differential input signal amplitude must be between 300 and 2200mVpp.
- The common mode voltage range must be as specified in the [DC Electrical Characteristics on page 4](#).
- For input trace lengths longer than approximately 1cm, the inputs should be terminated as shown in the Typical Application Circuit.

The GS9077 inputs are self-biased, allowing for simple AC coupling to the device. For serial digital video, a minimum capacitor value of 4.7 μF should be used to allow coupling of pathological test signals. A tantalum capacitor is recommended.

4.2 Output Interfacing

The GS9077 outputs are current mode, and will drive typically 800mV into a 75 Ω load. These outputs are protected from accidental static damage with internal ESD protection diodes.

In order for a DDI output circuit using the GS9077 to meet this specification, the output application circuit shown in [Typical Application Circuit on page 10](#) is recommended.

The value of L_{COMP} will vary depending on the PCB layout, with a typical value of 5.6nH. A 4.7 μF capacitor is used for AC coupling the output of the device. This value is chosen to ensure that pathological signals can be coupled without a significant DC component occurring. Please see [Application Information on page 10](#) for more details.

4.2.1 Output Amplitude (RSET)

The output amplitude of the GS9077 can be adjusted by changing the value of the R_{SET} resistor as shown in Table 4-1. For an 800mV_{p-p} output with a nominal $\pm 7\%$ tolerance, a value of 750 Ω is required. A $\pm 1\%$ SMT resistor should be used.

The R_{SET} resistor is part of the high speed output circuit of the GS9077. The resistor should be placed as close as possible to the R_{SET} pin. In addition, the PCB capacitance should be minimized at this node by removing the PCB groundplane beneath the R_{SET} resistor and the R_{SET} pin.

Table 4-1: R_{SET} vs V_{OD}

R_{SET} R (Ω)	Output Swing (mVp-p)
995	608
824	734
750	800
680	884
573	1040

NOTE: For reliable operation of the GS9077 over the full temperature range, do not use an R_{SET} value below 573 Ω .

4.2.2 Output Disable

The serial output disable ($\overline{DISABLE}$), disables power to the current mode serial digital output driver. When asserted LOW, the SDO/ \overline{SDO} output driver is powered off. SDO/ \overline{SDO} will float to V_{CC} through the pull-up resistor.

4.3 Output Return Loss Measurement

To perform a practical return loss measurement, it is necessary to force the GS9077 output to a DC high or low condition. The actual measured return loss will be based on the outputs being static at V_{CC} or $V_{CC}-1.6V$. Under normal operating conditions the outputs of the device swing between $V_{CC}-0.4V$ and $V_{CC}-1.2V$.

5. Application Information

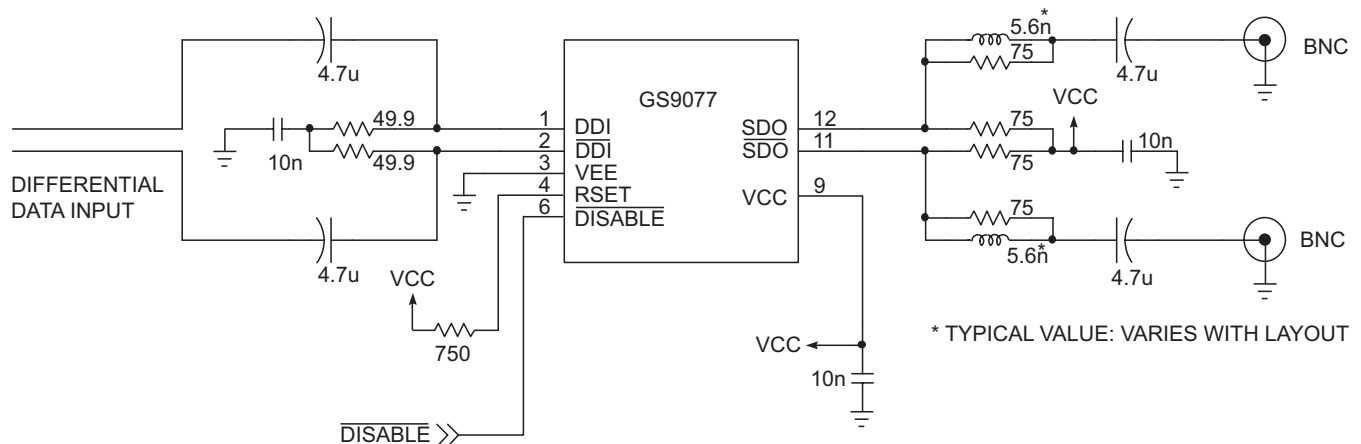
5.1 PCB Layout

Special attention must be paid to component layout when designing serial digital interfaces for SDTV.

An FR-4 dielectric can be used, however, controlled impedance transmission lines are required for PCB traces longer than approximately 1cm. Note the following PCB artwork features used to optimize performance:

- The PCB trace width for SD rate signals is closely matched to SMT component width to minimize reflections due to changes in trace impedance.
- The PCB ground plane is removed under the GS9077 output components to minimize parasitic capacitance.
- The PCB ground plane is removed under the GS9077 R_{SET} pin and resistor to minimize parasitic capacitance.
- Input and output BNC connectors are surface mounted in-line to eliminate a transmission line stub caused by a BNC mounting via high speed traces which are curved to minimize impedance variations due to change of PCB trace width.

5.2 Typical Application Circuit

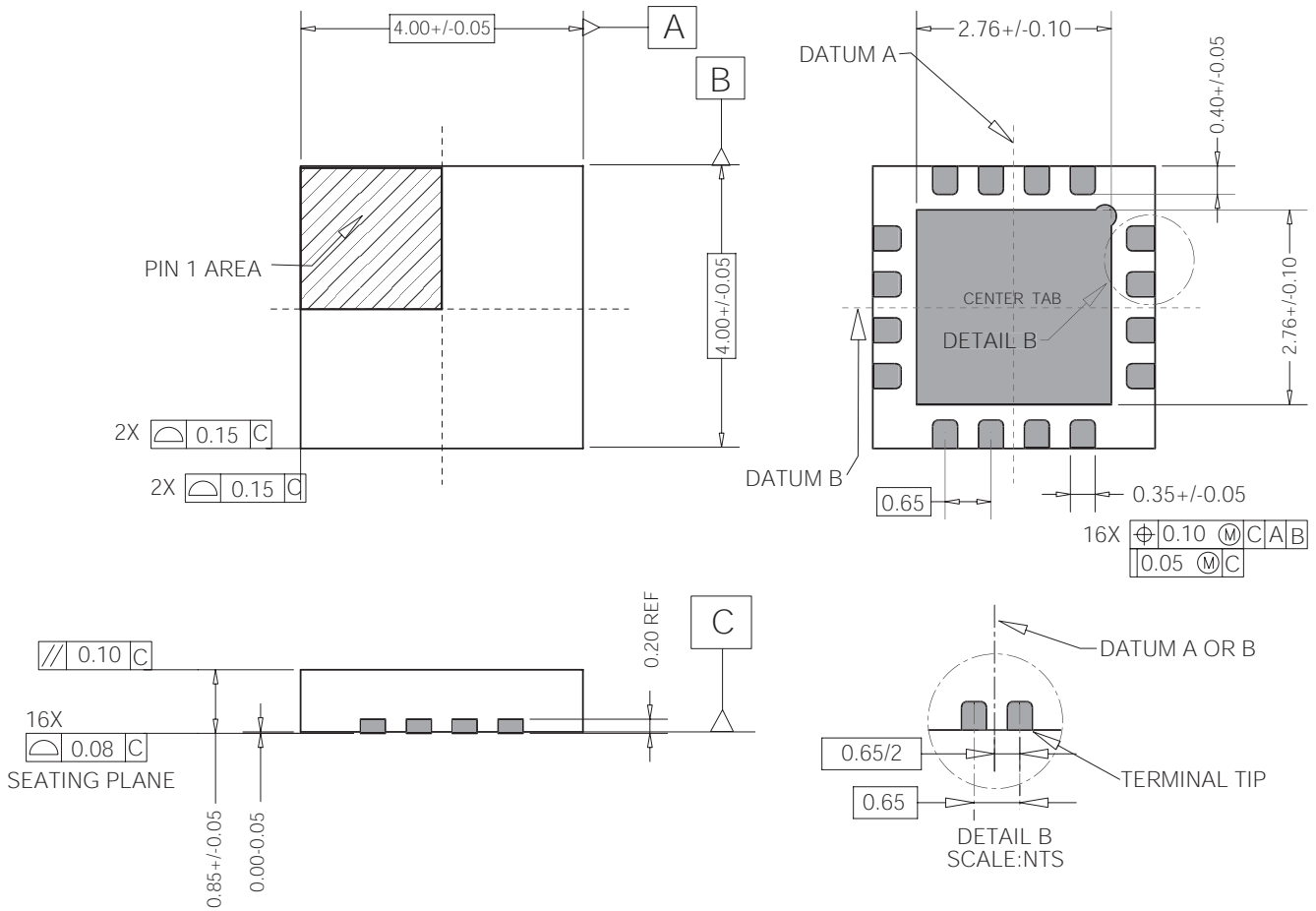


NOTE: All resistors in Ohms, capacitors in Farads, and inductors in Henrys, unless otherwise noted.

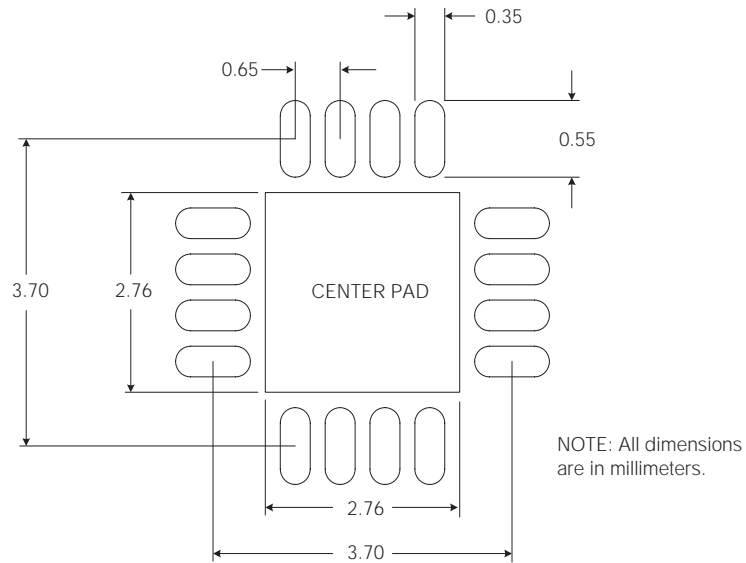
Figure 5-1: Typical Application Circuit

6. Package & Ordering Information

6.1 Package Dimensions



6.2 Recommended PCB Footprint



The Center Pad should be connected to the most negative power supply plane (VEE) by a minimum of 5 vias.

NOTE: Suggested dimensions only. Final dimensions should conform to customer design rules and process optimizations.

6.3 Packaging Data

Parameter	Value
Package Type	4mm x 4mm 16-pin QFN
Package Drawing Reference	JEDEC M0220
Moisture Sensitivity Level	3
Junction to Case Thermal Resistance, θ_{j-c}	31.0°C/W
Junction to Air Thermal Resistance, θ_{j-a} (at zero airflow)	43.8°C/W
Psi, Ψ	11.0°C/W
Pb-free and RoHS compliant	Yes

6.4 Marking Diagram

Pin 1 Indicator



XXXX - Lot/Work Order ID
 YYWW - Date Code
 YY - 2-digit year
 WW - 2-digit week number

6.5 Ordering Information

	Part Number	Package	Temperature Range
GS9077	GS9077CNE3	16-pin QFN	0°C to 70°C

7. Revision History

Version	ECR	PCN	Date	Changes and/or Modifications
0	144889	–	May 2007	New document.

CAUTION

ELECTROSTATIC SENSITIVE DEVICES
DO NOT OPEN PACKAGES OR HANDLE
EXCEPT AT A STATIC-FREE WORKSTATION



DOCUMENT IDENTIFICATION

DATA SHEET

The product is in production. Gennum reserves the right to make changes to the product at any time without notice to improve reliability, function or design, in order to provide the best product possible.

GENNUM CORPORATION

Mailing Address: P.O. Box 489, Stn. A, Burlington, Ontario, Canada L7R 3Y3
Shipping Address: 970 Fraser Drive, Burlington, Ontario, Canada L7L 5P5
Tel. +1 (905) 632-2996 Fax. +1 (905) 632-5946

GENNUM JAPAN CORPORATION

Shinjuku Green Tower Building 27F, 6-14-1, Nishi Shinjuku, Shinjuku-ku, Tokyo, 160-0023 Japan
Tel. +81 (03) 3349-5501, Fax. +81 (03) 3349-5505

GENNUM UK LIMITED

25 Long Garden Walk, Farnham, Surrey, England GU9 7HX
Tel. +44 (0)1252 747 000 Fax +44 (0)1252 726 523

Gennum Corporation assumes no liability for any errors or omissions in this document, or for the use of the circuits or devices described herein. The sale of the circuit or device described herein does not imply any patent license, and Gennum makes no representation that the circuit or device is free from patent infringement.

GENNUM and the G logo are registered trademarks of Gennum Corporation.

© Copyright 2007 Gennum Corporation. All rights reserved. Printed in Canada.

www.gennum.com