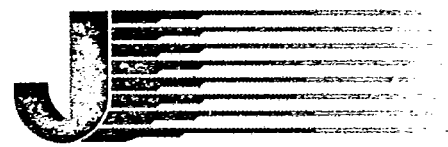


LED LAMP

CYLINDRIC TYPE



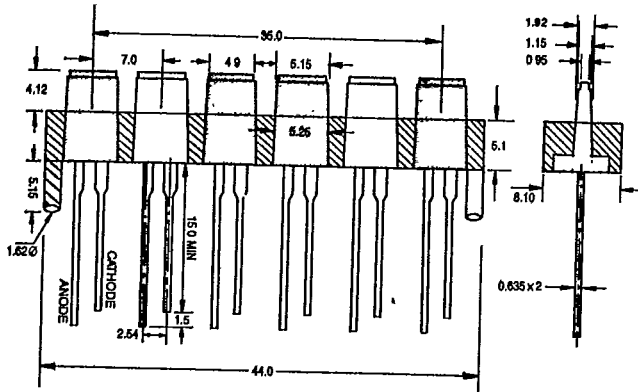
CYLINDRIC TYPE	LENS COLOR				EMITTING COLOR	LUMINOUS INTENSITY IN MCD @10MA			
	Color Diffused (TYP 1)	Color Transparent (TYP 2)	White Diffused (TYP 3)	Water Clear (TYP 4)		TYP			
						1	2	3	4
<p>3Ø</p> <p>As sample in P25-42</p>	<p>C1123 C2123 C3123 C3123P C4123 C5123 C7123</p>		<p>C1323 C2323 C3323 C3323P C4323 C5323 C7323</p>		<p>Red GaAsP Yellow Green Pure Green Orange Red GaP Low Current Red</p>	<p>0.6 1.2 1.4 1.2 2.0 1.2 1.6</p>		<p>0.6 1.2 1.4 1.2 2.0 1.2 1.6</p>	
<p>3Ø</p> <p>As sample in P25-42</p>	<p>C1133 C2133 C3133 C3133P C4133 C5133 C7133</p>		<p>C1333 C2333 C3333 C3333P C4333 C5333 C7333</p>		<p>Red GaAsP Yellow Green Pure Green Orange Red GaP Low Current Red</p>	<p>1.0 2.0 2.4 2.0 2.6 2.0 2.4</p>		<p>1.0 2.0 2.4 2.0 2.6 2.0 2.4</p>	
<p>4.6Ø</p> <p>As sample in P25-43</p>	<p>C1124 C2124 C3124 C3124P C4124 C5124 C7124</p>		<p>C1324 C2324 C3324 C3324P C4324 C5324 C7324</p>		<p>Red GaAsP Yellow Green Pure Green Orange Red GaP Low Current Red</p>	<p>0.6 1.2 1.4 1.2 2.0 1.2 1.6</p>		<p>0.6 1.2 1.4 1.2 2.0 1.2 1.6</p>	
<p>4.6Ø</p> <p>As sample in P25-43</p>	<p>C1134 C2134 C3134 C3134P C4134 C5134 C7134</p>		<p>C1334 C2334 C3334 C3334P C4334 C5334 C7334</p>		<p>Red GaAsP Yellow Green Pure Green Orange Red GaP Low Current Red</p>	<p>0.7 1.6 2.1 1.6 2.7 1.6 2.4</p>		<p>0.7 1.6 2.1 1.6 2.7 1.6 2.4</p>	

All Dimensions are in millimeters.
Tolerance is ±0.2mm

www.datasheet4u.com

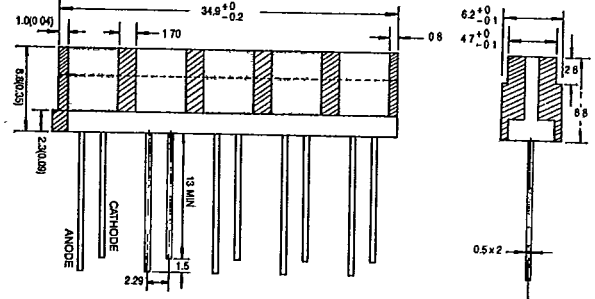
www.DataSheet4U.com

HOLDER TYPE



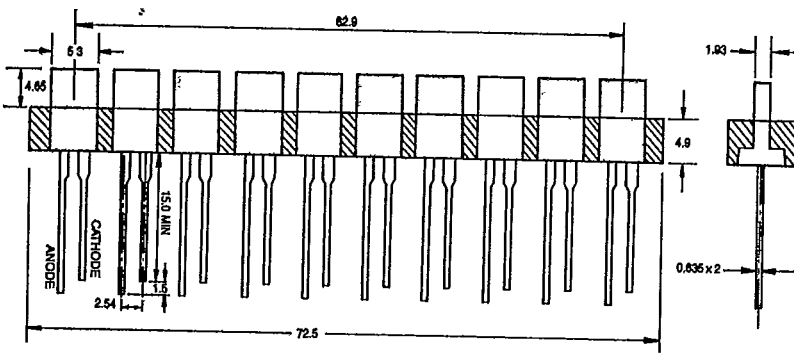
H-1 1x5m/m ARRAY SOCKET 6 SEGUENT

As sample in P25-58



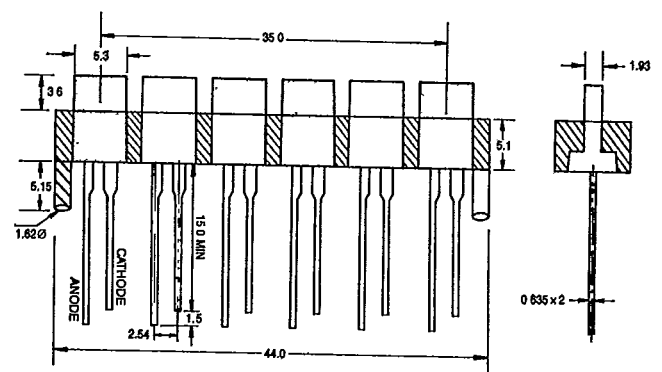
H-2 1.8x5.3m/m ARRAY SOCKET 5 SEGUENT

As sample in P25-59



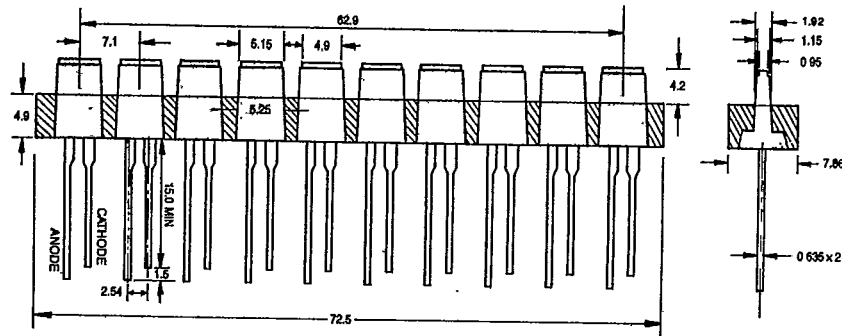
H-3 1.8x5.3m/m ARRAY SOCKET 10 SEGUENT

As sample in P25-60



H-4 1.8x5.3m/m ARRAY SOCKET 6 SEGUENT

As sample in P25-61

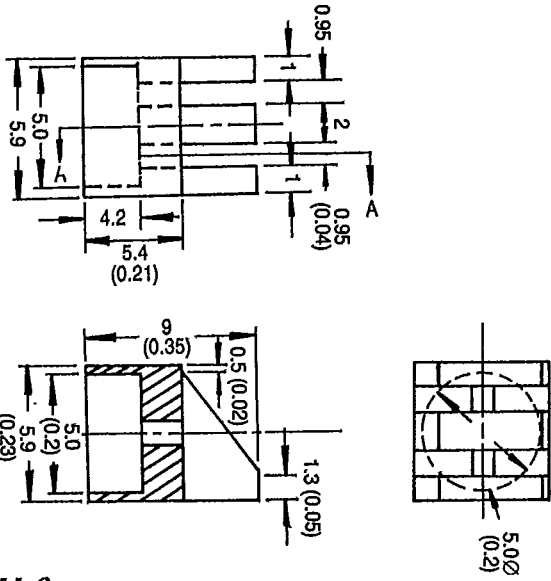


H-5 1x5m/m ARRAY SOCKET 10 SEGUENT

As sample in P25-62

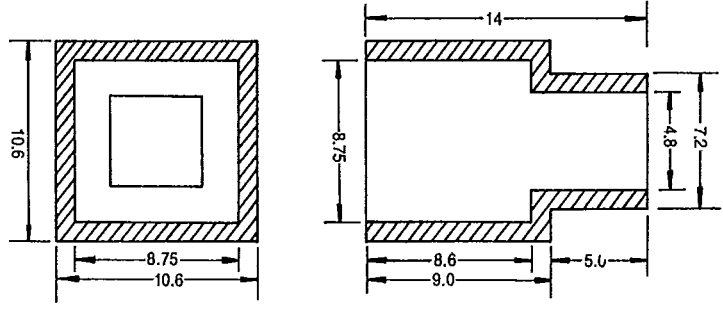
All Dimensions are in millimeters.
Tolerance is $\pm 0.2\text{mm}$

HOLDER TYPE



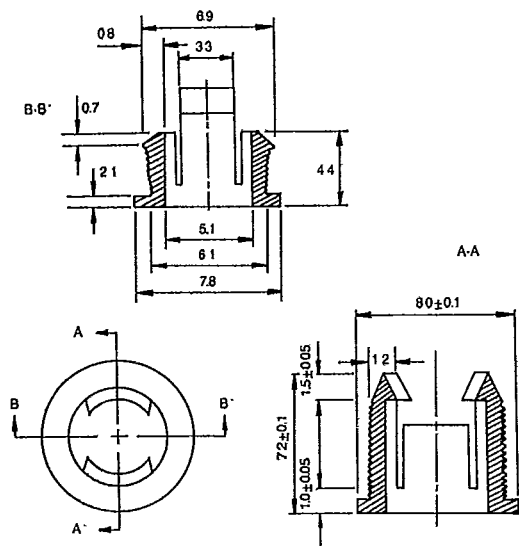
H-6 5m/m

As sample in P25-63



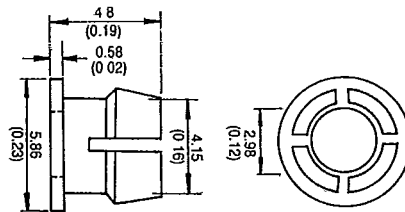
H-7 8x8m/m

As sample in P25-64



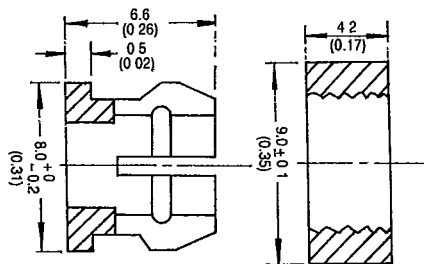
H-8 5m/m

As sample in P25-65



H-9 3m/m

As sample in P25-66



H-10 5m/m

As sample in P25-67

All Dimensions are in millimeters.
Tolerance is $\pm 0.2\text{mm}$