

PLEASE CHECK WWW.MOLEX.COM FOR LATEST PART INFORMATION

Part Number: **0559350930**
Status: **Active**
Overview: microclasp
Description: 2.00mm (.079") Pitch MicroClasp™ Wire-to-Board Header, Single Row, Right Angle, 9 Circuits, without PCB Locator

Documents:

[3D Model](#) [Product Specification PS-51382-004 \(PDF\)](#)
[Drawing \(PDF\)](#) [RoHS Certificate of Compliance \(PDF\)](#)

General

| | |
|----------------|----------------------------|
| Product Family | PCB Headers |
| Series | 55935 |
| Application | Wire-to-Board |
| Overview | microclasp |
| Product Name | MicroClasp™ |

Physical

| | |
|--------------------------------|----------------|
| Breakaway | No |
| Circuits (Loaded) | 9 |
| Circuits (maximum) | 9 |
| Color - Resin | Natural |
| Durability (mating cycles max) | 30 |
| First Mate / Last Break | No |
| Glow-Wire Compliant | No |
| Guide to Mating Part | No |
| Keying to Mating Part | None |
| Lock to Mating Part | Yes |
| Material - Plating Mating | Tin |
| Material - Plating Termination | Tin |
| Material - Resin | Polyester |
| Number of Rows | 1 |
| Orientation | Right Angle |
| PC Tail Length (in) | 0.126 In |
| PC Tail Length (mm) | 3.20 mm |
| PCB Locator | No |
| PCB Retention | Yes |
| PCB Thickness Recommended (in) | 0.062 In |
| PCB Thickness Recommended (mm) | 1.60 mm |
| Packaging Type | Tray |
| Pitch - Mating Interface (in) | 0.079 In |
| Pitch - Mating Interface (mm) | 2.00 mm |
| Shrouded | Fully |
| Stackable | No |
| Surface Mount Compatible (SMC) | No |
| Temperature Range - Operating | -25°C to +85°C |
| Termination Interface: Style | Through Hole |

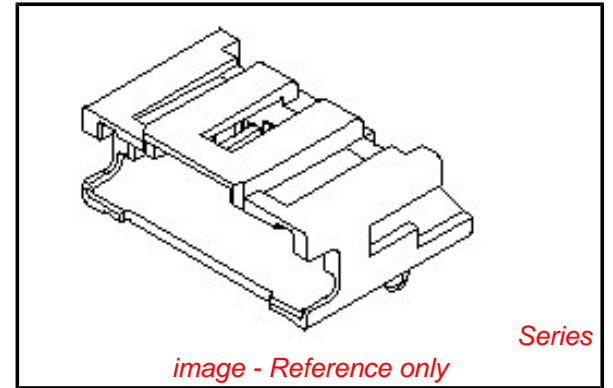
Electrical

| | |
|-------------------------------|------|
| Current - Maximum per Contact | 3A |
| Voltage - Maximum | 250V |

Material Info

Reference - Drawing Numbers

| | |
|-------------------------|---------------|
| Packaging Specification | SPK-55935-001 |
|-------------------------|---------------|



EU RoHS

ELV and RoHS Compliant
REACH SVHC Contains SVHC: No
Halogen-Free Status

China RoHS



Not Reviewed

Need more information on product environmental compliance?

Email productcompliance@molex.com
 For a multiple part number RoHS Certificate of Compliance, [click here](#)

Please visit the [Contact Us](#) section for any non-product compliance questions.

Search Parts in this Series

[55935Series](#)

Mates With

[51382 MicroClasp™ Wire-to-Board Receptacle Housing](#)

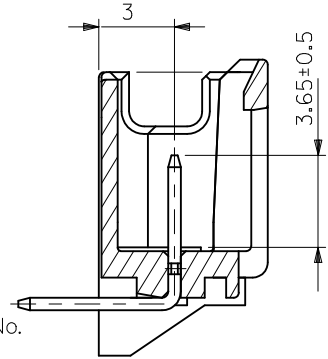
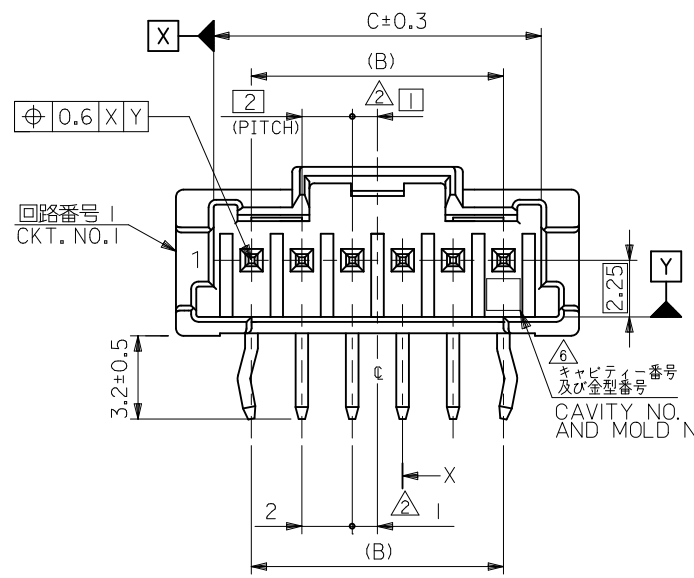
Product Specification

PS-51382-004, RPS-51382-006, RPS-51382-007,
RPS-51382-008, RPS-51382-009, RPS-51382-010,
RPS-51382-012, RPS-51382-013, RPS-51382-014,
RPS-51382-015
SD-55935-002

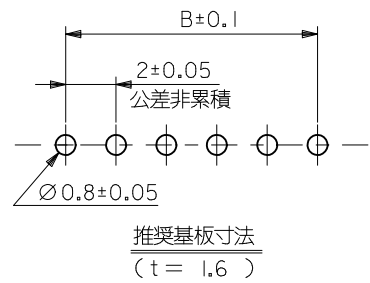
Sales Drawing

This document was generated on 05/25/2010

PLEASE CHECK WWW.MOLEX.COM FOR LATEST PART INFORMATION



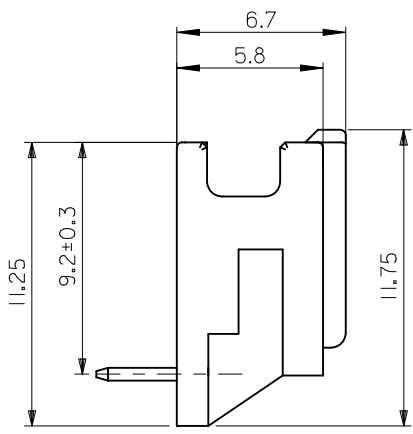
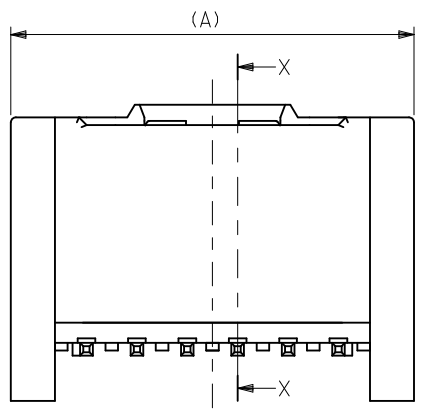
NOTE
 1. 嵌合相手: 51382-****
 2. 偶数極(列)に適用。
 3. キングは両外側の位置に付加。
 4. 製品番号 MATERIAL NO.
55935-****
 極数 CIRCUIT SIZE



6. キャビティ番号 : 1~2桁の数字
 金型番号 : アルファベット1文字にて構成
 (例 1A, 10B)
 尚、金型番号は刻印無しの製品あり。
 FORMED BY 1 DIGIT TO " DIGIT
 NUMBERS (TO CAVITY No.)
 AND BY 1 LETTER OF ALPHABET.
 (TO MOLD No.)
 (e.g. 1A,10B)
 THERE ARE PRODUCTS WITHOUT
 THE MARK OF MOLD No.

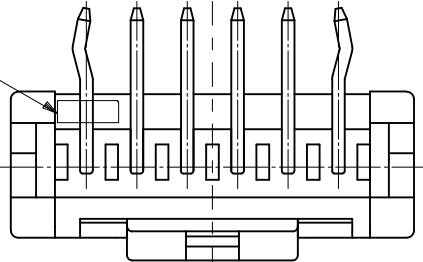
| 色 COLOR | 色 COLOR |
|---------------------------|---------------------------|
| 30 自然色(白) NATURAL(WHITE) | 30 自然色(白) NATURAL(WHITE) |
| 31 黒 BLACK | 31 黒 BLACK |
| 32 赤 RED | 32 赤 RED |
| 33 黄 YELLOW | 33 黄 YELLOW |
| 34 青 BLUE | 34 青 BLUE |
| 35 桃 PINK | 35 桃 PINK |
| 36 緑 GREEN | 36 緑 GREEN |
| 37 茶 BROWN | 37 茶 BROWN |
| 38 橙 ORANGE | 38 橙 ORANGE |
| 39 紫 VIOLET | 39 紫 VIOLET |
| 51 灰 GRAY | 51 灰 GRAY |
| 53 蛍光黄 FLUORESCENT YELLOW | 53 蛍光黄 FLUORESCENT YELLOW |
| 54 水 PALE BLUE | 54 水 PALE BLUE |
| 55 蛍光桃 FLUORESCENT PINK | 55 蛍光桃 FLUORESCENT PINK |
| 56 黄緑 YELLOWISH GREEN | 56 黄緑 YELLOWISH GREEN |
| 58 蛍光橙 FLUORESCENT ORANGE | 58 蛍光橙 FLUORESCENT ORANGE |

| | | | | |
|----|----|----|--------------|------|
| 31 | 28 | 34 | 55935-15** | 15 |
| 29 | 26 | 32 | 55935-14** | 14 |
| 27 | 24 | 30 | 55935-13** | 13 |
| 25 | 22 | 28 | 55935-12** | 12 |
| 23 | 20 | 26 | 55935-11** | 11 |
| 21 | 18 | 24 | 55935-10** | 10 |
| 19 | 16 | 22 | 55935-09** | 9 |
| 17 | 14 | 20 | 55935-08** | 8 |
| 15 | 12 | 18 | 55935-07** | 7 |
| 13 | 10 | 16 | 55935-06** | 6 |
| 11 | 8 | 14 | 55935-05** | 5 |
| 9 | 6 | 12 | 55935-04** | 4 |
| 7 | 4 | 10 | 55935-03** | 3 |
| 5 | 2 | 8 | 55935-02** | 2 |
| C | B | A | MATERIAL NO. | CKT. |



5. トレードマーク: Mプラス1~2文字のアルファベットにて構成。(例: MXJ)
 但し、"J"はJAPANを示す。
 FORMED BY M AND 1-2 MORE LETTER OF ALPHABET (e.g. MXJ) TO TRADE MARK.
 BUT "J" SHOW JAPAN.

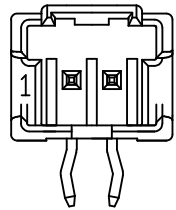
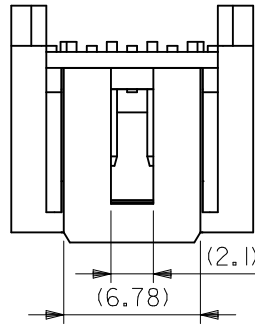
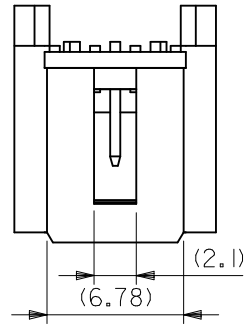
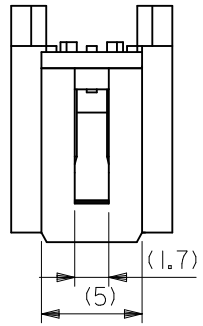
TRADE MARK



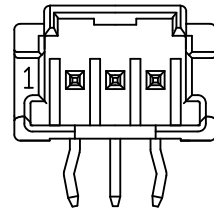
MATERIAL
 ピン : 黄銅、ニッケル下地錫メッキ
 ハウジング : PBT

| | | | | | | | | | | |
|---|--------------------|---------------------------------------|--|-----------------------------|---------------------------|--|------------------------|------------------------|--|--|
| REVISED EC NO.: J2010-2139 DRWN: THANU 2010/04/26 CHKD: ASAKAWA 2010/04/26 APPR: NUKITA 2010/04/27 K | DESCRIPTION REV | GENERAL TOLERANCES (UNLESS SPECIFIED) | | DIMENSION STYLE MM ONLY | | SCALE --- | DESIGN UNITS METRIC | THIRD ANGLE PROJECTION | | |
| | | 10 UNDER | ±0.2 | DRAWN BY T. NIITSU | DATE '02/02/08 | TITLE 2.0 W/B SINGLE CONN. PLUG HOUSING ASS'Y R/A -LEAD FREE- | | | | |
| | | 10 OVER 30 UNDER | ±0.25 | CHECKED BY K. ASAKAWA | DATE '03/06/12 | MOLEX INCORPORATED | | | | |
| | | 30 OVER | ±0.3 | APPROVED BY T. YAMAGUCHI | DATE '03/06/12 | DOCUMENT NO. SD-55935-002 | | | | |
| | | ANGULAR ±3 ° | DRAFT WHERE APPLICABLE MUST REMAIN WITHIN DIMENSIONS | | MATERIAL NO. SEE CHART | | SHEET NO. 1 OF 2 | | INCORPORATED AND SHOULD NOT BE USED WITHOUT WRITTEN PERMISSION | |

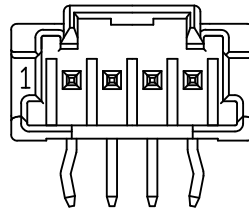
10 9 8 7 6 5 4 3 2 1



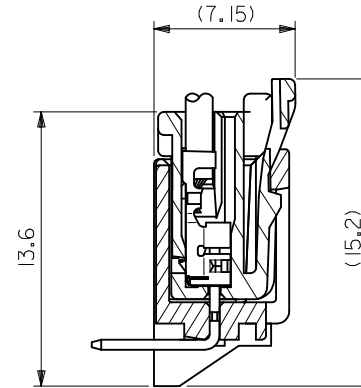
2 CIRCUIT



3 CIRCUIT



4 CIRCUIT 以上



嵌合断面图

MODEL NO. : 55935-****

| | | | | | | | | |
|--|---------------------------------------|--|----------------------------|---|--|------------------------|------------------------|--|
| REVISED EC NO: J2010-2139 DRWN: THANU 2010/04/26 CHK'D: ASAKAWA 2010/04/26 APPR: NUKITA 2010/04/27 | GENERAL TOLERANCES (UNLESS SPECIFIED) | | DIMENSION STYLE MM ONLY | | SCALE --- | DESIGN UNITS METRIC | THIRD ANGLE PROJECTION | |
| | 10 UNDER | ±0.2 | DRAWN BY T. NIITSU | DATE '02/02/08 | TITLE 2.0 W/B SINGLE CONN. PLUG HOUSING ASS'Y R/A -LEAD FREE- | | | |
| | 10 OVER 30 UNDER | ±0.25 | CHECKED BY K. ASAKAWA | DATE '03/06/12 | APPROVED BY T. YAMAGUCHI '03/06/12 | | | |
| | 30 OVER | ±0.3 | MATERIAL NO. SEE CHART | | DOCUMENT NO. SD-55935-002 | | SHEET NO. 2 OF 2 | |
| ANGULAR ±3 ° | | DRAFT WHERE APPLICABLE MUST REMAIN WITHIN DIMENSIONS | | MOLEX INCORPORATED THIS DRAWING CONTAINS INFORMATION THAT IS PROPRIETARY TO MOLEX INCORPORATED AND SHOULD NOT BE USED WITHOUT WRITTEN PERMISSION | | | | |