

PAD	CONNECTION
1	Control voltage
2	Ground
3	Output
4	Supply

Scale 3:1

**Features**

- ▶ Low current consumption
- ▶ Choice of supply voltages
- ▶ Miniature ceramic package with metal lid
- ▶ Competitive pricing

**Specifications**

**GVXO-331G: 1.8V supply**  
**GVXO-331K: 2.8V supply**  
**GVXO-331L: 3.3V supply**

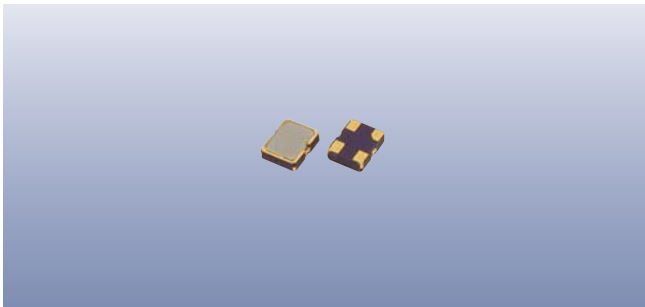
Parameters	Variant			Option Codes	
	G	K	L		
Frequency range:	1.5 ~ 54.0MHz	■	■	■	
Voltage control:	+0.9V ±0.9V, 10% linearity +1.4V ±1.4V, 10% linearity +1.65V ±1.65V, 10% linearity	■	■	■	
Frequency pullability (min):	±80ppm ±90ppm Other	■	■	■	specify
Frequency stability*:	±50ppm ±30ppm Other	■	■	■	B C specify
Operating temperature range:	-20 to +70°C -40 to +85°C	■	■	■	I
Storage temperature range:	-40 to +85°C	■	■	■	
Supply voltage (V <sub>DD</sub> ):	+1.8V (±10%) +2.8V (±10%) +3.3V (±10%)	■	■	■	
Supply current:	3mA max 5mA max 8mA max	■	■	■	
Driving ability:	15pF CMOS	■	■	■	
Logic levels:	'0' level = 10%V <sub>DD</sub> max '1' level = 90%V <sub>DD</sub> min	■	■	■	
Waveform symmetry:	40:60 max @ 50%V <sub>DD</sub>	■	■	■	
Rise / fall time (max):	10ns max (1.5 ~ 10.0MHz) 6ns max (10.0 ~ 54.0MHz)	■	■	■	

■ Standard. □ Optional - Please specify required code(s) when ordering

**Ordering Information**

Product + variant + option codes + frequency  
 eg: **GVXO-331G/C 27.0MHz** 1.8V, ±80ppm pull, ±30ppm stab, -20+70°C  
**GVXO-331L/BI 54.0MHz** 3.3V, ±90ppm pull, ±50ppm stab, -40+85°C  
 Option codes must be included to specify a model completely.  
 Option code X (eg GVXO-331/X) denotes a custom spec.

◆ Please check availability of ±30ppm stability over -40+85°C before ordering



**Construction**

- ▮▮▮▮ *Ceramic body with gold-plated pads*
- ▮▮▮▮ *Metal lid, seam sealed*

**Composition**



This product is lead-free, and is fully compliant with the RoHS directive 2002/95/EC



**Packaging & Handling**

Production quantities supplied on T & R, 1k or 3k pcs per reel. Small quantities may be supplied on tape (no reel), or in bulk.



◆ Static sensitive product. Observe proper handling precautions

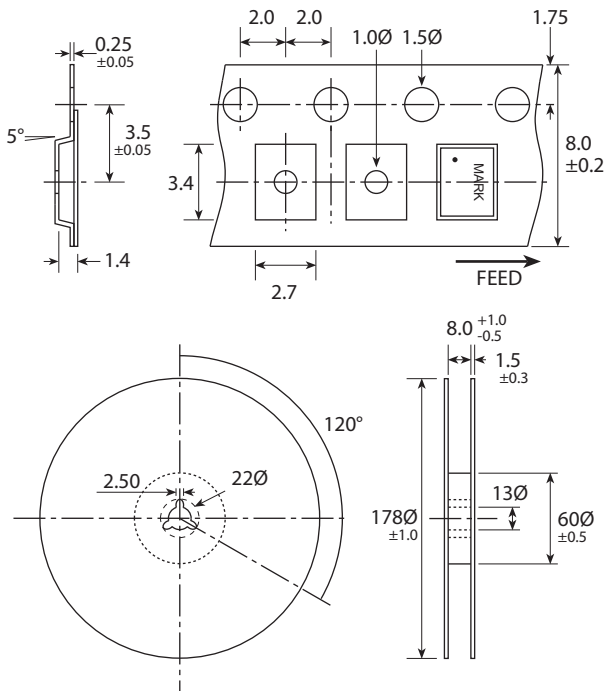
**Marking**

FREQUENCY  
DC

Marking type: Laser  
DC = Date code in YM, eg "CE" = May 2003

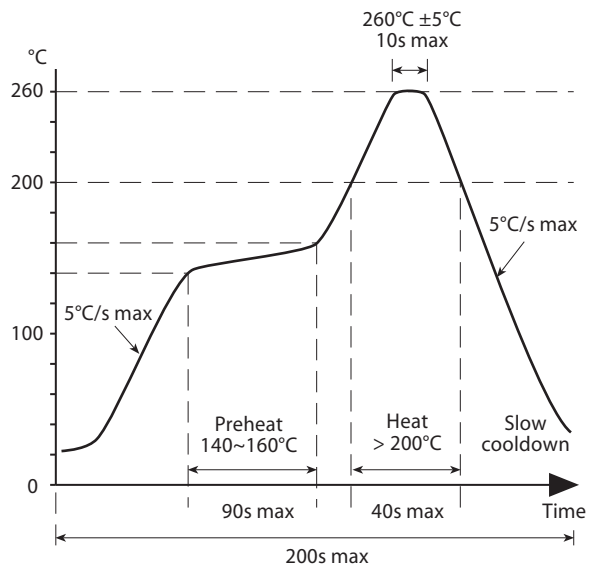
	A	B	C	D	E	F	G	H	J	K	L	M
Y	1	2	3	4	5	6	7	8	9	0		
M	Jan	Feb	Mar	Apr	May	Jun	Jul	Aug	Sep	Oct	Nov	Dec

**Tape & Reel Specification**



Not to scale. Dimensions in mm. Tolerances ±0.1mm unless otherwise stated

**Soldering Profile**



Solder resistance: 260°C x 10 secs x 2.