

PLEASE CHECK WWW.MOLEX.COM FOR LATEST PART INFORMATION

Part Number: [0855687885](#)
Status: **Active**
Overview: [modular_plugs_jacks](#)
Description: Modular Plug, Short Body, Shielded, 8/8, Yellow Boot, Cat6

Documents:

[3D Model](#) [Product Specification PS-85568-001 \(PDF\)](#)
[Drawing \(PDF\)](#) [RoHS Certificate of Compliance \(PDF\)](#)

Agency Certification

CSA LR19980
 UL E107635

General

Product Family Modular Jacks/Plugs
 Series [85568](#)
 Component Type Wire Plug
 Magnetic No
 Overview [modular_plugs_jacks](#)
 Performance Category 6
 Power over Ethernet (PoE) N/A
 Product Name RJ45

Physical

Boot Color YELLOW
 Color - Resin Clear
 Durability (mating cycles max) 750
 Flammability 94V-0
 Inverted / Top Latch N/A
 Lightpipes/LEDs None
 Material - Metal Phosphor Bronze
 Material - Plating Mating Gold
 Material - Plating Termination Tin-Lead
 Material - Resin Polycarbonate
 Orientation N/A
 PCB Locator No
 PCB Retention None
 Packaging Type Bag
 Pitch - Mating Interface (in) 0.040 In
 Pitch - Mating Interface (mm) 1.02 mm
 Pitch - Term. Interface (in) 0.040 In
 Pitch - Term. Interface (mm) 1.02 mm
 Plating min: Mating (µin) 12
 Plating min: Mating (µm) 0.3
 Plating min: Termination (µin) 50.8
 Plating min: Termination (µm) 1.27
 Ports 1
 Positions / Loaded Contacts 8/8
 Surface Mount Compatible (SMC) No
 Temperature Range - Operating -40°C to +80°C
 Termination Interface: Style IDT or Pierce
 Waterproof / Dustproof No
 Wire/Cable Type Round

Electrical

Current - Maximum per Contact 1.5A

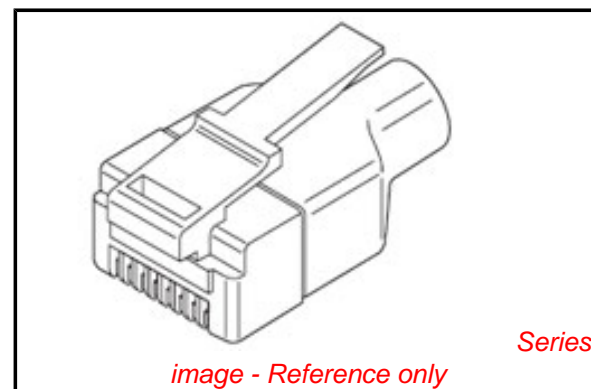


image - Reference only

EU RoHS

ELV and RoHS Compliant
REACH SVHC
 Not Reviewed
Halogen-Free Status
 Not Reviewed

China RoHS



Need more information on product environmental compliance?

Email productcompliance@molex.com
 For a multiple part number RoHS Certificate of Compliance, [click here](#)

Please visit the [Contact Us](#) section for any non-product compliance questions.

Search Parts in this Series

[85568Series](#)

Mates With

[FCC 68 Jacks](#)

Application Tooling | FAQ

Tooling specifications and manuals are found by selecting the products below. Crimp Height Specifications are then contained in the Application Tooling Specification document.

Global

Description	Product #
Handtool for 85568 Telecom Plug, Type C Crimp with Diameter 6.0 Cable	0690081192

Grounding to Panel	N/A
Shielded	Yes
Voltage - Maximum	125V AC (RMS)

Material Info

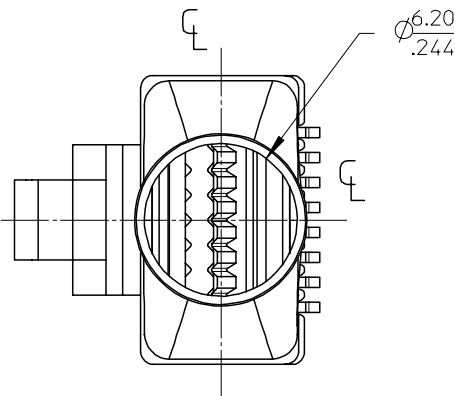
Reference - Drawing Numbers

Application Specification	AS-85568-002
Packaging Specification	PK-85568-001
Product Specification	PS-85568-001
Sales Drawing	SD-85568-001

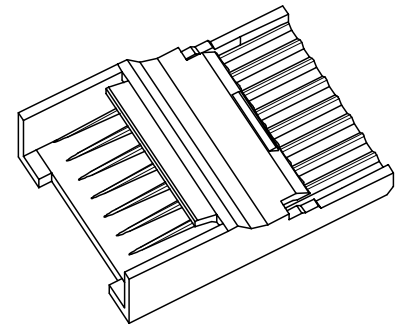
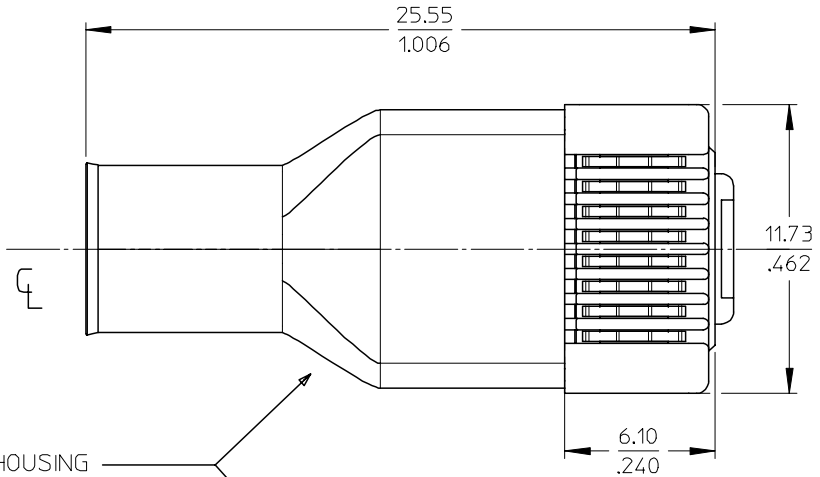
This document was generated on 06/08/2010

PLEASE CHECK WWW.MOLEX.COM FOR LATEST PART INFORMATION

10 9 8 7 6 5 4 3 2 1



SHIELD ASSEMBLED ONTO HOUSING



NOTES:

1- MATERIAL:

PLUG HOUSING:

CLEAR POLYCARBONATE UL94 V0

WIRE-MANAGER:

CLEAR POLYCARBONATE UL94 V0

TERMINALS:

PHOSPHOR BRONZE PLATED WITH 0.00127/.00005 MIN. GOLD IN CONTACT AREA, 0.00127/.00005 MIN. THIN LEAD IN PIERCE AREA BOTH OVER 0.00127/.00005 MIN. NICKEL

SHIELD:

COPPER ALLOY PLATED WITH 0.00254/.000100 MIN. BRIGHT TIN OVER 0.00127/.00005 MIN. NICKEL

2- PRODUCT INTENDED TO TERMINATE

ROUND SHIELDED PIMF CABLE

WITH JACKET O.D.: 5.9 +0.2 -0.3/ .232 +0.08 -.012

AS PER APPLICATION SPECIFICATION

APPLICATION TOOLING- HAND TOOL:69008-1192

DIE SET:69008-1193

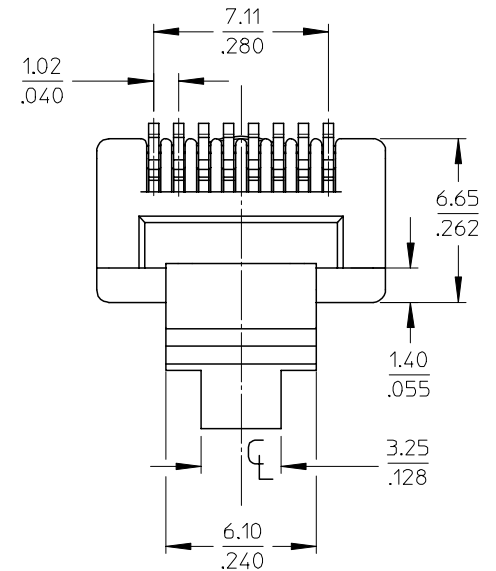
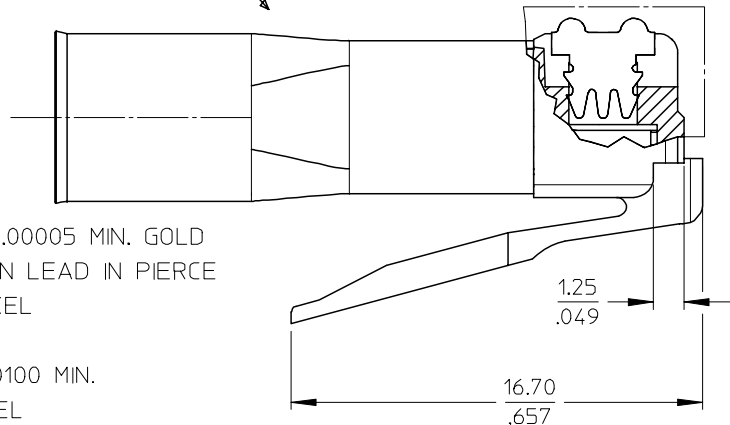
3- PRODUCT SPECIFICATION: PS-85568-001

4- APPLICATION SPECIFICATION: AS-85568-002

5- PACKAGING SPECIFICATION: PK-85568-001

6- MATING INTERFACE DIMENSIONS OF PLUG ACC.

IEC 60603-7-1 FREE CONNECTOR-VARIANT 02



- 3- PRODUCT SPECIFICATION: PS-85568-001
- 4- APPLICATION SPECIFICATION: AS-85568-002
- 5- PACKAGING SPECIFICATION: PK-85568-001
- 6- MATING INTERFACE DIMENSIONS OF PLUG ACC.

APP TOOLING ADDED TO NOTE 6 EC NO: E2007-0831 DRWN: PGRADY CHKD: APPR: EOMAHONY	2007/03/23 2007/03/23 2007/03/23	DESCRIPTION REV	QUALITY SYMBOLS	GENERAL TOLERANCES (UNLESS SPECIFIED)	DIMENSION STYLE	SCALE	DESIGN UNITS	THIRD ANGLE PROJECTION
			$\nabla=0$ $\triangle=0$	mm INCH 4 PLACES ± --- ± --- 3 PLACES ± --- ± --- 2 PLACES ± 0.25 ± .010 1 PLACE ± --- ± --- ANGULAR ± .5 °	MM/IN	5:1	METRIC	
				DRAWN BY: SSTE INKE DATE: 2002/10/01 CHECKED BY: DATE: SF IL IPON 2002/10/08 APPROVED BY: DATE: MHEIM 2002/10/08	TITLE			
			DRAFT WHERE APPLICABLE MUST REMAIN WITHIN DIMENSIONS	SEE SHEET 2 SIZE A3	MOLEX INCORPORATED DOCUMENT NO. SD-85568-001 SHEET NO. 1 OF 2			

9 8 7 6 5 4 3 2 1

10 9 8 7 6 5 4 3 2 1

F

E

D

C

B

A

F

E

D

C

B

A

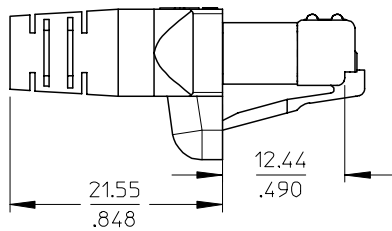
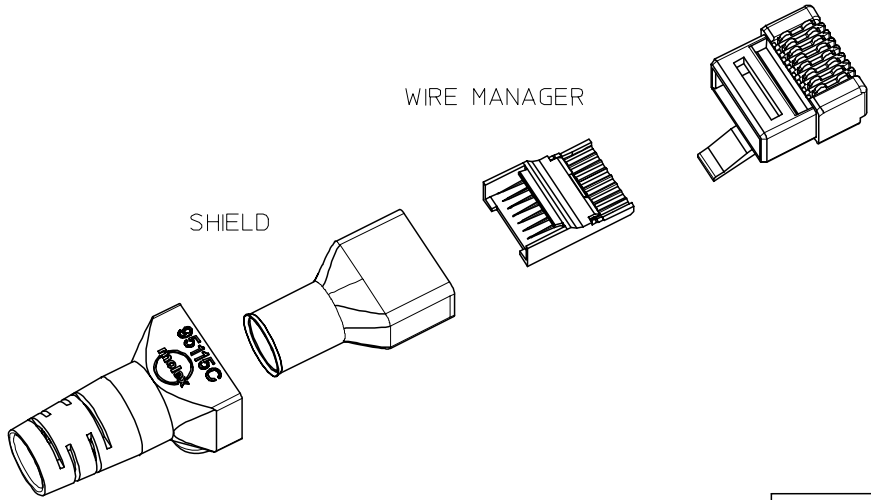
ASSEMBLY HOUSING

WIRE MANAGER

SHIELD

SHIELDED PLUG COMPOSITION

BOOT WITH LATCH PROTECTION
(IF REQUESTED)



ASSEMBLY PART NUMBER	BOOT WITH LATCH PROTECTION			PARTS/ UNIT	PACKAGING VERSION
	PART NUMBER	COLOR	RAL NBR		
85568-7880	NO BOOT			1	A
85568-7881	95115-4881	BLACK	9005	1	A
85568-7882	95115-4882	GREY	7012	1	A
85568-7883	95115-4883	GREEN	6016	1	A
85568-7884	95115-4884	RED	3000	1	A
85568-7885	95115-4885	YELLOW	1021	1	A
85568-7886	95115-4886	BLUE	5015	1	A
85568-7887	95115-4887	ORANGE	2004	1	A

EC NO: E2007-0831 DRWN: PGRADY 2007/03/23 CHKD: 2007/03/23 APPR: EOMAHONY 2007/03/23	QUALITY SYMBOLS	GENERAL TOLERANCES (UNLESS SPECIFIED)	DIMENSION STYLE	SCALE	DESIGN UNITS	THIRD ANGLE PROJECTION
	▽=0 ∇=0	mm INCH 4 PLACES ± --- ± --- 3 PLACES ± --- ± --- 2 PLACES ± 0.25 ± .010 1 PLACE ± --- ± --- ANGULAR ± .5 °	MM/IN	2:1	METRIC	
	DESCRIPTION	DRAWN BY	DATE	TITLE	MOLEX INCORPORATED SD-85568-001	
	REV	DATE	DATE	DATE	DATE	DATE