

PLEASE CHECK WWW.MOLEX.COM FOR LATEST PART INFORMATION

Part Number: [0554821919](#)
Status: **Active**
Overview: [mini_mi_ii](#)
Description: 1.25mm (.049") Pitch Mini Mi II™ Wire-to-Wire Adapter, 19 Circuits, Lead-free

Documents:

[3D Model](#) [Product Specification PS-55482-006 \(PDF\)](#)
[Drawing \(PDF\)](#) [RoHS Certificate of Compliance \(PDF\)](#)

General

Product Family	Accessories
Series	55482
Comments	For Panel Mounting
Component Type	Adapter
Overview	mini_mi_ii
Product Name	Mini Mi II™

Physical

Circuits (Loaded)	19
Color - Resin	Natural
Gender	Male
Material - Metal	Brass
Material - Plating Mating	Tin
Material - Plating Termination	Tin
Material - Resin	Nylon
Number of Rows	1
Packaging Type	Bag
Plating min: Mating (µin)	40
Plating min: Mating (µm)	1.00
Plating min: Termination (µin)	40
Plating min: Termination (µm)	1.00
Temperature Range - Operating	-20°C to +80°C

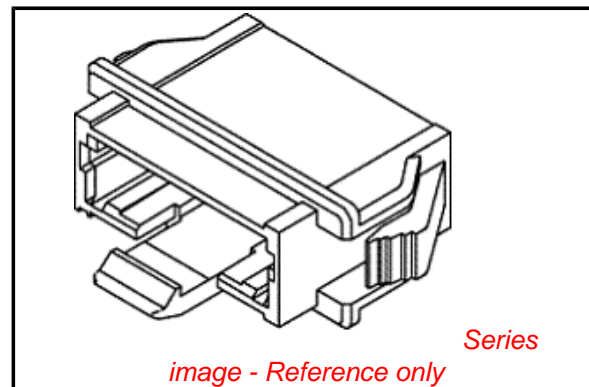
Electrical

Current - Maximum per Contact	1.5A
-------------------------------	------

Material Info

Reference - Drawing Numbers

Packaging Specification	SPK-55482-001
Product Specification	PS-55482-006
Sales Drawing	SD-55482-004



EU RoHS

**ELV and RoHS
Compliant**
**REACH SVHC
Contains SVHC: No**
**Halogen-Free
Status**

China RoHS



Not Reviewed

**Need more information on product
environmental compliance?**

Email productcompliance@molex.com
For a multiple part number RoHS Certificate of
Compliance, [click here](#)

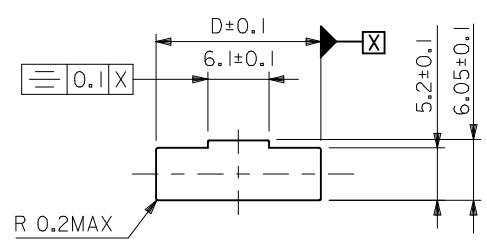
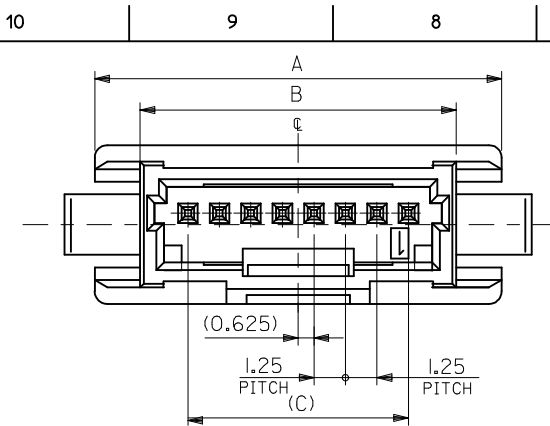
Please visit the [Contact Us](#) section for any
non-product compliance questions.

Search Parts in this Series

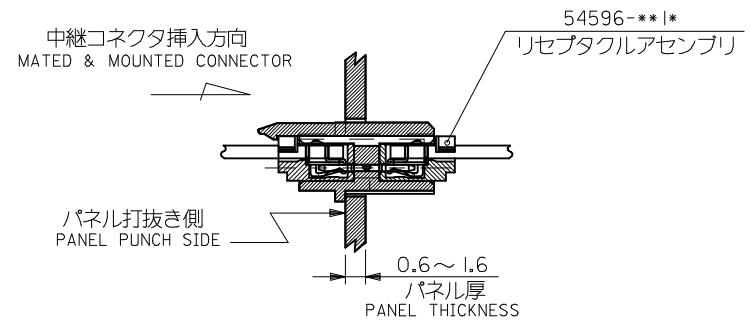
[55482Series](#)

Use With

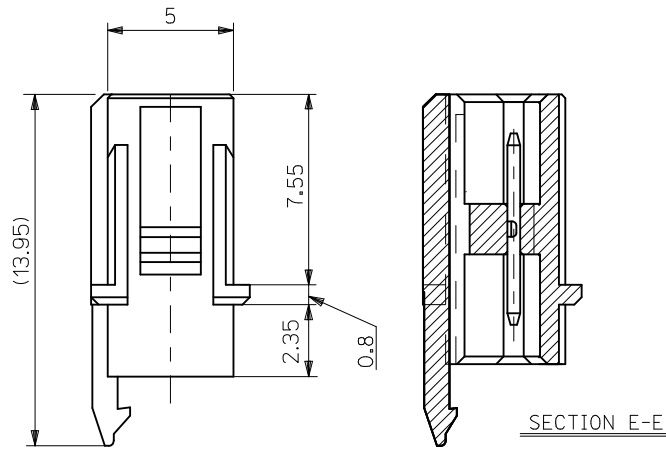
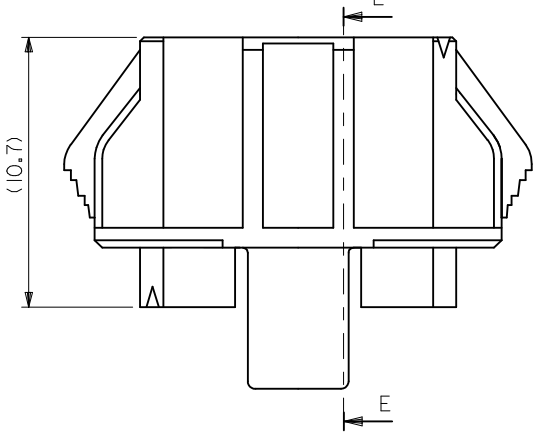
[54596](#)



推奨パネル加工寸法 (SCALE:2-1)
RECOMMENDED PANEL CUT DIMENSION



嵌合状態図
MATED & MOUNTED CONNECTOR



注記
NOTES

1. 材質 MATERIAL
ウエハー: ポリアミド、UL94-V0、ナチュラル色
WAFER: PA、UL94-V0、COLOR NATURAL
ピン: 黄銅、銅下地 錫メッキ
PIN: BRASS, PRE-TINNED
2. 嵌合相手 MATE WITH
リセプタクルアセンブリ: 54596-***1*
REC.ASS'Y: 54596-***
ピン: リン青銅、錫メッキ
PIN: PHOSPHOR BRONZE, PRE-TINNED
3. 本製品は 55482-***10 の鉛フリー品である。
THIS PRODUCT IS LEAD FREE OF 55482-***10.
4. ELV AND ROHS COMPLIANT.

31.35	23.75	27.55	31.15	55482-2019	20
30.1	22.5	26.3	29.9	55482-1919	19
28.85	21.25	25.05	28.65	55482-1819	18
27.6	20	23.8	27.4	55482-1719	17
26.35	18.75	22.55	26.15	55482-1619	16
25.1	17.5	21.3	24.9	55482-1519	15
23.85	16.25	20.05	23.65	55482-1419	14
22.6	15	18.8	22.4	55482-1319	13
21.35	13.75	17.55	21.15	55482-1219	12
20.1	12.5	16.3	19.9	55482-1119	11
18.85	11.25	15.05	18.65	55482-1019	10
17.6	10	13.8	17.4	55482-0919	9
16.35	8.75	12.55	16.15	55482-0819	8
15.1	7.5	11.3	14.9	55482-0719	7
13.85	6.25	10.05	13.65	55482-0619	6
12.6	5	8.8	12.4	55482-0519	5
11.35	3.75	7.55	11.15	55482-0419	4
10.1	2.5	6.3	9.9	55482-0319	3
8.85	1.25	5.05	8.65	55482-0219	2
D	C	B	A	TRAY	CIRCUITS

55482-***19	MODEL NO.	ORDER NO. オーダー番号
-------------	-----------	------------------

REVISED EC NO: J2010-0170 DRWN:TKON 2009/07/27 CHKD:KASAKAWA 2009/07/28 APPR:NUKITA 2009/07/29	GENERAL TOLERANCES (UNLESS SPECIFIED)		DIMENSION STYLE	SCALE	DESIGN UNITS	THIRD ANGLE PROJECTION	
			MM ONLY	5:1	METRIC		
	DESCRIPTION		DRAWN BY	DATE	TITLE		
	10 UNDER ±0.2 10 OVER 30 UNDER ±0.25 30 OVER ±0.3 ANGULAR ±3 ° DRAFT WHERE APPLICABLE MUST REMAIN WITHIN DIMENSIONS		Y. SAKIYAMA	04/05/10	MINI MI2 1-ROW RELAY WAFER ASSY -LEAD FREE-		
A		M. SASAO	04/05/10	MOLEX INCORPORATED			
		M. SASAO	04/05/10	SEE TABLE		SD-55482-004	
		MATERIAL NO.		DOCUMENT NO.		SHEET NO.	
		SIZE A3		THIS DRAWING CONTAINS INFORMATION THAT IS PROPRIETARY TO MOLEX INCORPORATED AND SHOULD NOT BE USED WITHOUT WRITTEN PERMISSION			