

PLEASE CHECK WWW.MOLEX.COM FOR LATEST PART INFORMATION

Part Number: [0442820007](#)
Status: **Active**
Overview: [modular_plugs_jacks](#)
Description: Modular Jack, Right Angle, Low Profile, Shielded, SMT, 8/8

Documents:

[3D Model](#) [Product Specification PS-43743-0001 \(PDF\)](#)
[Drawing \(PDF\)](#) [RoHS Certificate of Compliance \(PDF\)](#)

Agency Certification

CSA LR19980
 UL E107635

General

Product Family Modular Jacks/Plugs
 Series [44282](#)
 Component Type PCB Jack
 Magnetic No
 Overview [modular_plugs_jacks](#)
 Performance Category 3
 Power over Ethernet (PoE) N/A
 Product Name RJ45

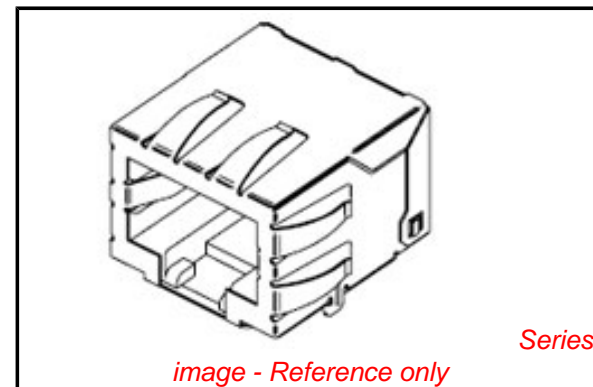
Physical

Color - Resin Black
 Durability (mating cycles max) 500
 Flammability 94V-0
 Inverted / Top Latch No
 Lightpipes/LEDs None
 Material - Metal Brass, Phosphor Bronze
 Material - Plating Mating Gold
 Material - Plating Termination Tin
 Material - Resin High Temperature Thermoplastic
 Orientation Right Angle (Side Entry)
 PCB Retention None
 PCB Thickness Recommended (in) 0.062 In
 PCB Thickness Recommended (mm) 1.60 mm
 Packaging Type Embossed Tape on Reel
 Panel Mount N/A
 Plating min: Mating (µin) 50
 Plating min: Mating (µm) 1.25
 Plating min: Termination (µin) 100
 Plating min: Termination (µm) 2.5
 Ports 1
 Positions / Loaded Contacts 8/8
 Surface Mount Compatible (SMC) N/A
 Temperature Range - Operating -40°C to +80°C
 Termination Interface: Style Surface Mount
 Wire/Cable Type N/A

Electrical

Current - Maximum per Contact 1.5A
 Grounding to Panel Yes
 Shielded Yes
 Voltage - Maximum 125V

Solder Process Data



EU RoHS

**ELV and RoHS
 Compliant**
REACH SVHC
 Not Reviewed
**Halogen-Free
 Status**
Not Reviewed

China RoHS



**Need more information on product
 environmental compliance?**

Email productcompliance@molex.com
 For a multiple part number RoHS Certificate of
 Compliance, [click here](#)

Please visit the [Contact Us](#) section for any
 non-product compliance questions.

Search Parts in this Series

[44282Series](#)

Mates With

FCC 68 Plugs

Lead-free Process Capability
Process Temperature max. C

Reflow Capable (SMT only)
235

Material Info

Reference - Drawing Numbers

Packaging Specification
Product Specification
Sales Drawing

PK-70873-700*
PS-43743-0001
SD-44282-001

This document was generated on 06/08/2010

PLEASE CHECK WWW.MOLEX.COM FOR LATEST PART INFORMATION

NOTES:

1) MATERIAL:

HOUSING & INSULATOR: NYLON(PA), GLASS FILLED, UL94V-0, COLOR: BLACK
 TERMINALS: PHOSPHOR BRONZE, .012/(0.30) THICK
 SHIELD: BRASS

2) FINISH:

TERMINALS:

- A = SELECT GOLD IN CONTACT AREA: .000050/(0.00127) MIN.,
 *SELECT MATTE TIN IN PC TAIL AREA: .000100/(0.00254) MIN.,
 WITH OVERALL NICKEL UNDERPLATE: .000050/(0.00127) MIN.
- B = SELECT GOLD IN CONTACT AREA: .000030/(0.00076) MIN.,
 *SELECT MATTE TIN IN PC TAIL AREA: .000100/(0.00254) MIN.,
 WITH OVERALL NICKEL UNDERPLATE: .000050/(0.00127) MIN.
- C = SELECT GOLD IN CONTACT AREA: .000015/(0.00038) MIN.,
 *SELECT MATTE TIN IN PC TAIL AREA: .000100/(0.00254) MIN.,
 WITH OVERALL NICKEL UNDERPLATE: .000050/(0.00127) MIN.

SHIELD:

- *100 MICROINCHES NICKEL OVER 50 MICROINCHES COPPER UNDERPLATE
- PCB GROUND TABS DIPPED IN TIN
- *THE PRIMARY SHIPPING CARTON WILL BE LABELED "COMPLIANT TO RoHS DIRECTIVE 2002/95/EC AND ELV ANNEX II OF DIRECTIVE 2000/53/EC". CARTONS WITHOUT THIS LABEL MAY CONTAIN PRODUCT WITH TIN-LEAD IN THE PC TAILS AND/OR SHIELD.

3) PRODUCT SPECIFICATION AND PROCESSING PARAMETERS: PS-43743-0001.

4) PACKAGING SPECIFICATION:

CONNECTOR ASSEMBLIES TO BE PACKAGED USING TAPE & REEL SYSTEM PER PACKAGING DRAWING PK-70873-7006.

5) COPLANARITY SPECIFICATION:

WHEN AN ASSEMBLY IS PLACED UPON A LEVEL SURFACE, THE MAXIMUM GAP BETWEEN THE LEVEL SURFACE AND ALL TERMINAL TAILS AND FRONT SOLDER TAB IS .006/(0.15).

6) THRU HOLES .094±.002/(2.39±0.05) ARE FOR SHIELDS WITH LOCATION TABS ONLY.

7) AVAILABLE WITH (4) OPTIONAL SIDE GROUND TABS (OMITTED FOR SIDE TO SIDE STACKABILITY).

8) AVAILABLE WITH (2) OPTIONAL LOCATION TABS FOR LOCATING COMPONENT TO PCB AND/OR GROUNDING TO PCB.

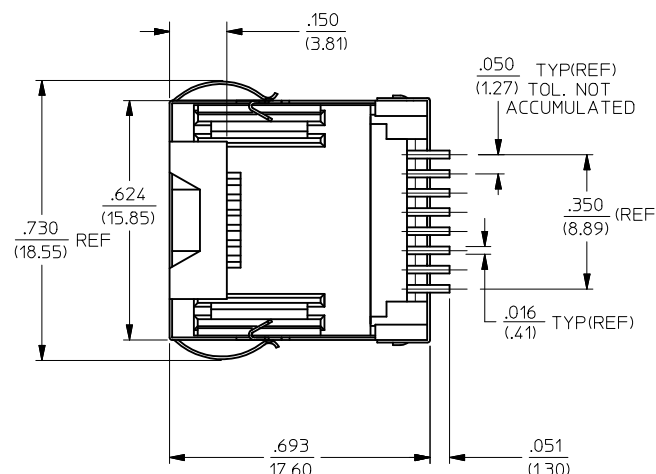
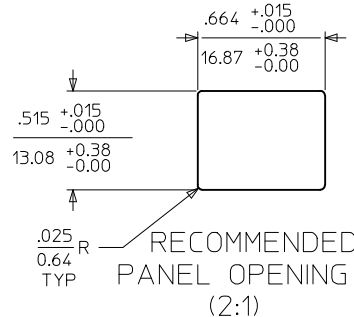
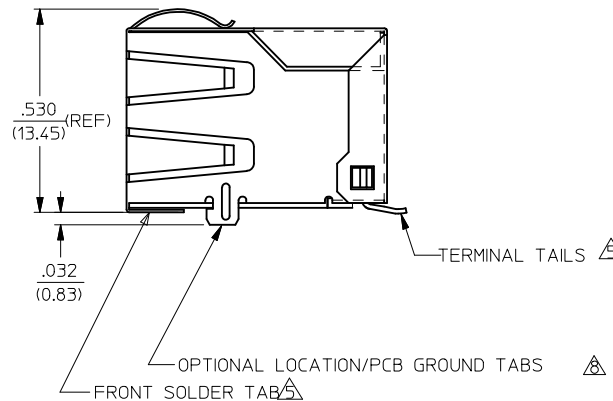
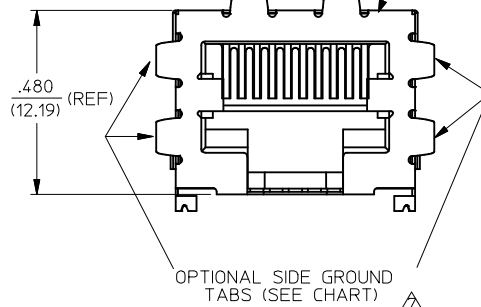
9) FOR ASSEMBLIES HAVING VOIDED CIRCUITS, THE TAIL PORTION IS CUT AND REMOVED. THE MATING PORTION OF THE TERMINAL REMAINS INTACT.

10) CONFORMS TO FCC REGULATION PART 68.5 FOR MODULAR JACKS.

11) THIS PART CONFORMS TO CLASS B REQUIREMENTS OF COSMETIC SPECIFICATION PS-45499-002.

OPTIONAL TOP GROUND TABS (SEE CHART)

SHIELDED SMT MODJACK ASSEMBLY



44282-1004	A	NO	NO	YES	NONE
44282-0012	C	NO	YES	NO	NONE
44282-0011	B	NO	YES	NO	NONE
44282-0010	A	NO	YES	NO	NONE
44282-0009	C	YES	YES	NO	NONE
44282-0008	B	YES	YES	NO	NONE
44282-0007	A	YES	YES	NO	NONE
44282-0006	C	NO	YES	YES	NONE
44282-0005	B	NO	YES	YES	NONE
44282-0004	A	NO	YES	YES	NONE
44282-0003	C	YES	YES	YES	NONE
44282-0002	B	YES	YES	YES	NONE
44282-0001	A	YES	YES	YES	NONE

44282-0001, 44282-0002 & 44282-0003 SHOWN

ASSEMBLY MAT. NO.	TERMINAL PLATING	SHIELD SIDE TABS	SHIELD TOP TABS	LOCATION TABS	VOIDED CIRCUITS
-------------------	------------------	------------------	-----------------	---------------	-----------------

REVISED NOTES
 EC NO: UCP2009-1244
 DRWN: JLOSTEMEIER 2008/12/10
 CHKD: JBELLS 2008/12/10
 APPR: FSMITH 2008/12/10

QUALITY SYMBOLS
 ▽=0
 ▽=0

DESCRIPTION
 D3

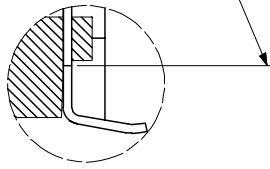
GENERAL TOLERANCES (UNLESS SPECIFIED)	
mm	INCH
4 PLACES ± .010	± .0004
3 PLACES ± .010	± .0004
2 PLACES ± .025	± .0010
1 PLACE ± .050	± .0020
ANGULAR ± 1/2°	
DRAFT WHERE APPLICABLE MUST REMAIN WITHIN DIMENSIONS	

DIMENSION STYLE	
IN/MM	
DRAWN BY	DATE
STAMBAUG	99/06/03
CHECKED BY	DATE
WIRKUS	99/06/03
APPROVED BY	DATE
EDGLEY	99/06/03
MATERIAL NO.	
SEE CHART	
SIZE C	

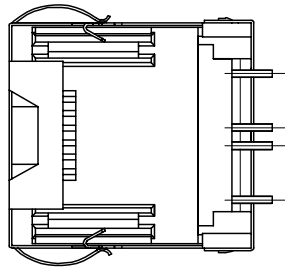
SCALE 1:1	DESIGN UNITS INCH	THIRD ANGLE PROJECTION
TITLE SINGLE PORT, SHIELDED SIZE 8, 8 CIRCUIT SMT MODJACK		
MOLEX MOLEX INCORPORATED		
DOCUMENT NO. SD-44282-001	SHEET NO. 1 OF 2	
THIS DRAWING CONTAINS INFORMATION THAT IS PROPRIETARY TO MOLEX INCORPORATED AND SHOULD NOT BE USED WITHOUT WRITTEN PERMISSION		

13 12 11 10 9 8 7 6 5 4 3 2 1

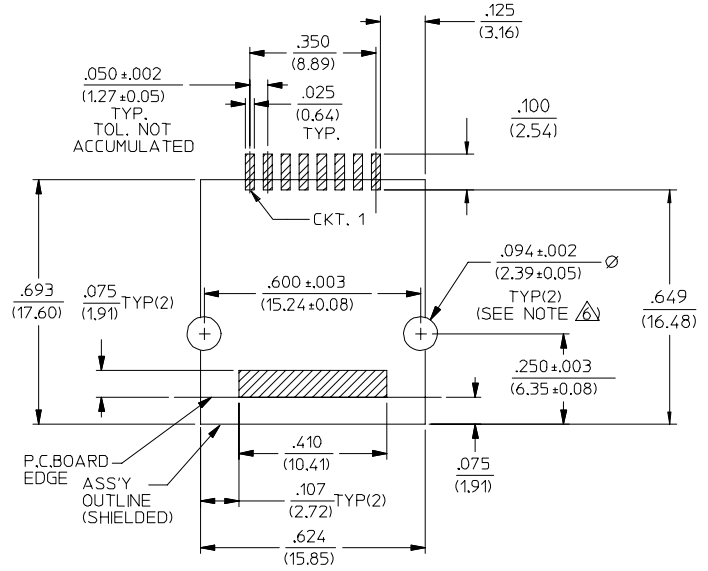
TERMINAL CUTOFF POINT



VIEW SHOWING TYPICAL TERMINAL CUTOFF OF TAIL (SEE NOTE 10) FOR VOIDED CIRCUITS.



TYPICAL VIEW SHOWING VOIDED CIRCUIT (CIRCUITS 2,3,6 & 7 SHOWN VOIDED)



PC BOARD LAYOUT FOR 8 POSITION HOUSING
(COMPONENT SIDE OF BOARD)

NOTES:
1. RECOMMENDED MINIMUM PCB THICKNESS: .034/0.86

SEE SHEET ONE FC NO: UCP2008-0143 DRAWN:JBELL 2007/07/24 CHKD:LSHMI DT 2007/07/30 APPR:FSM TH 2007/08/01	QUALITY SYMBOLS ▽=0 ▽=0	GENERAL TOLERANCES (UNLESS SPECIFIED)		DIMENSION STYLE IN/MM		SCALE 4:1	DESIGN UNITS INCH	THIRD ANGLE PROJECTION	
		mm	INCH	DRAWN BY STAMBAUG	DATE 99/06/03	TITLE SURFACE MOUNT MODULAR JACK W/ SHIELD			
D2	REVISION	4 PLACES ± --- ± ---	± .010	CHECKED BY WIRKUS	DATE 99/06/03	MOLEX INCORPORATED			
		3 PLACES ± --- ± ---	± .025	APPROVED BY EDGLEY	DATE 99/06/03				
		2 PLACES ± --- ± ---	± ---	MATERIAL NO. SEE CHART		DOCUMENT NO. SD-44282-001	SHEET NO. 2 OF 2		
DRAFT WHERE APPLICABLE MUST REMAIN WITHIN DIMENSIONS		ANGULAR ±1/2°		THIS DRAWING CONTAINS INFORMATION THAT IS PROPRIETARY TO MOLEX INCORPORATED AND SHOULD NOT BE USED WITHOUT WRITTEN PERMISSION					

12 11 10 9 8 7 6 5 4 3 2 1