

180-050
Feedthrough Probe Connector
Probe to Socket Terminus (M29504/5)

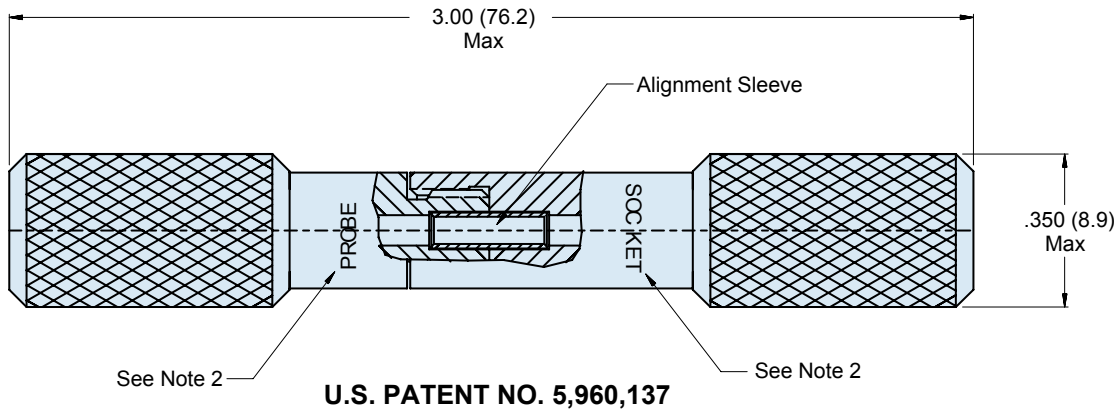
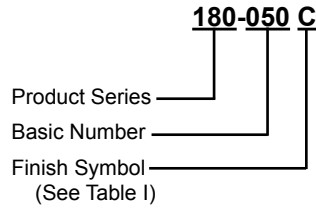


TABLE I: FINISH

SYM	MATERIAL	FINISH
C	Aluminum	Black Anodize
M	Aluminum	Electroless Nickel

APPLICATION NOTES

1. Assembly identified with manufacture's name and P/N as Space Permitted.
2. Assembly to be identified with "Probe" and "Socket."
3. Assembly to be identified with "Probe" and "Socket."
4. Material/ Finish:
 Housing: Al Alloy/ See Table I
 Alignment Sleeve: Zirconia Ceramic/ N.A.
 Retaining Clips: Beryllium Copper/ N.A.
5. Metric dimensions (mm) are indicated in parentheses.