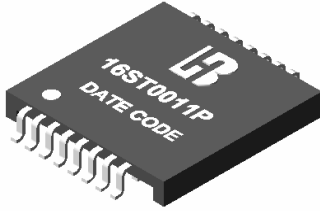


10/100 BASE PCMCIA TRANSFORMER

P/N: 16ST0011P DATA SHEET

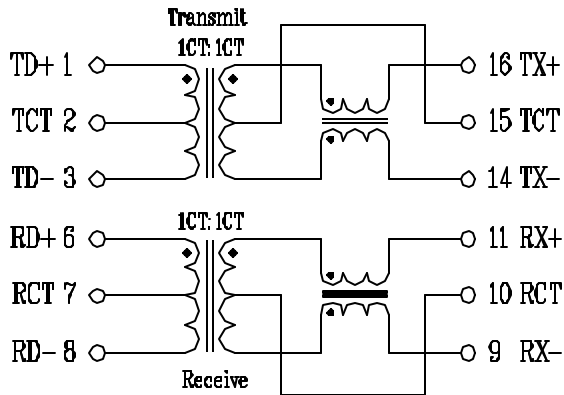
Feature



- Design for 10/100 MB/s TX&ATM 155MB/s APPLICATION.
- MANSI X3.236-1995 TP-PMD 100Base-TX ATM 155Mbps UNI and IEEE 802.3i specifications.
- Very low profile PCMCIA/PC card SMD package.
- Operating temperature range:0°C to +70°C.
- Storage temperature range:-25°C to +125°C.

| Electrical Specifications @ 25°C | | | | | | | | |
|----------------------------------|-------------------------|----------------------|---------------------|-------|--------|--------------------|--------|--------|
| Part Number | Turns Ratio (±5%) | | Cross talk (dB Min) | | | HI-POT (Vrms) | | |
| | RX | TX | 30MHz | 62MHz | 100MHZ | | | |
| 16ST0011P | 1CT:1CT | 1CT:1CT | -40 | -40 | -35 | | | |
| Continue | | | | | | | | |
| Part Number | Insertion Loss (dB Max) | Return Loss (dB Min) | | | | DCMR TX/RX(dB Min) | | |
| | | 30MHz | 60MHz | 80MHz | 30MHz | 50MHz | 100MHz | 150MHz |
| 16ST0011P | -1.3 | -16 | -12 | -11 | -15 | -18 | -20 | -20 |

Schematic



Mechanical

