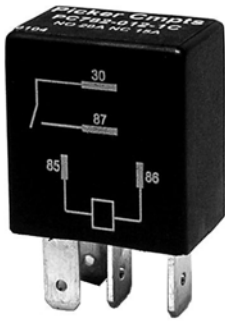


Micro Automotive Plug In / PCB Power Relay **PC782**



FEATURES

- Micro size plug-in design
- 1 A, 1 B and 1 C contact forms available
- Contact switching capacity up to 90 Amps
- 30 Amps continuous carrying capacity
- Up to 125 degrees C operating temperature
- PC Board version available
- Sockets available from Picker Components
- Internal Diode or Resistor available

CONTACT RATINGS

Contact Form	1 Form A, 1 Form B or 1 Form C	
	Normally Open	Normally Closed
Max Switching Current	Make 90 Amps	Make 20 Amps
	Break 30 Amps	Break 15 Amps
Max. Switching Voltage	Current Dependent, see curve page 2	
Max. Continuous Current	30 Amps	20 Amps
Minimum Load	0.1 A @ 12 VDC	

CONTACT DATA

Material		AgNiO 15 (Silver Nickel Oxide 15%) AgSnOInO (Silver Tin Oxide Indium Oxide)
Initial Contact Resistance		100 milliohms max @ 0.1A, 6VDC
Service Life	Mechanical	1 X 10 ⁷ Operations
	Electrical	2 X 10 ⁵ Operations

CHARACTERISTICS

Operate Time	9 ms. typical
Release Time	7 ms. typical
Insulation Resistance	100 megohms min, at 500VDC, 50%RH
Dielectric Strength	500 Vrms, 1 min. between coil and contacts
Shock Resistance	20 g, 11ms, functional; 200 g, destructive
Vibration Resistance	DA 1.27 mm, 10 - 40 Hz; 40-70 Hz: 5 g; DA 0.5mm, 70-100 Hz; 100-500 Hz: 10 g.
Drop Resistance	1 Meter height drop on concrete
Power Consumption	1.6 W approx.
Ambient Temperature Range	-40 to 125 degrees C operating, -40 to 155 storage
Weight	Plug-In: 14 grams; PCB: 12 grams approx.

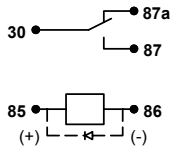
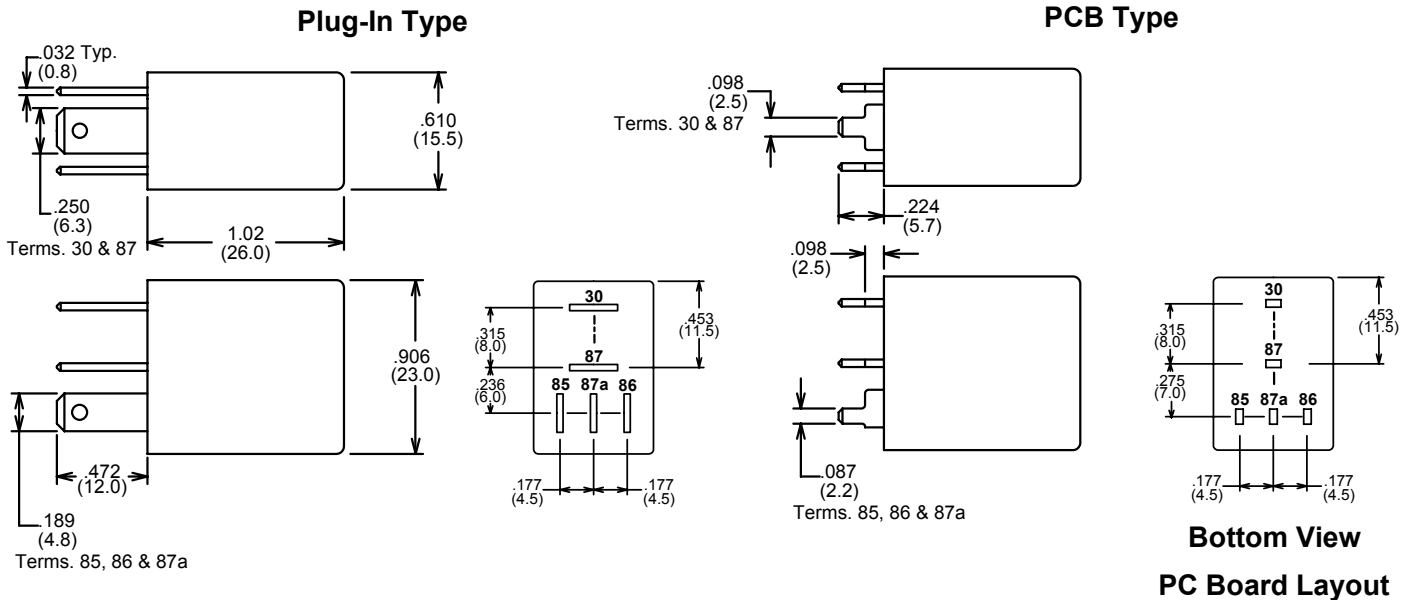
ORDERING INFORMATION

Example:	PC782	-1C	-P	-12	S	-R
Model						
Contact Form	1A, 1B or 1C					
Mounting Version	Nil: Plug-IN; P: PCB					
Coil Voltage						
Enclosure	C: Dust Cover, S: Sealed Case					
Parallel Component	Nil: None; D: Diode; R: Resistor					

COIL DATA

Coil Voltage	Resistance ohms $\pm 10\%$		Nominal Operate Voltage Max.	Allowable Voltage Max.		Nominal Release Voltage Min.
	1 Form A & B	1 Form C	1 Form A, B & C	1 Form A & B	1 Form C	A, C, U, W
6	32	25	3.6	10.4	9.2	0.6
12	123	97	7.2	20.4	18.1	1.2
24	483	384	14.3	40.4	36.0	2.4

Dimensions in Inches (millimeters)



Wiring Diagram

Notes:
 Contact Form C shown
 On Contact Forms A & B Unused Pins are Omitted
 Tolerances $\pm .010$ unless otherwise noted
 Maximum make current refers to inrush of a lamp load
 Make current of 120 Amps permissible with AgSnOInO contacts
 In 85 degree C ambient reduce maximum coil voltage to 72%



3220 Commander Drive, Suite 102, Carrollton, Texas 75006

Sales: Call Toll Free (888) 997-3933 Fax (818) 342-5296 email: pickerwest@sbcglobal.net URL: pickercomponents.com