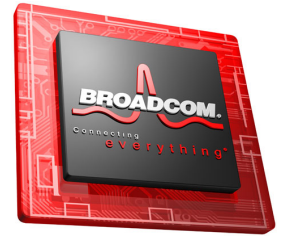




BCM94318 PRODUCT Brief



AIRFORCE ONE™ CHIP 802.11 REFERENCE DESIGN

KEY FEATURES

- Industry's smallest IEEE 802.11b/g solution makes wireless LAN connectivity practical for pocket-sized electronic devices.
- Extreme integration includes radio, baseband, MAC, and all other radio frequency (RF) components found on a typical wireless LAN board—making small mobile devices easier, less expensive and faster to manufacture.
- Innovative power management reduces power consumption by up to 97% in standby mode, providing greatly extended battery life for mobile devices.
- Cost-effective architecture with single-sided, all-CMOS design eliminates over 100 components, providing more affordable wireless connectivity for consumer electronics.
- High-performance features standard across the AirForce product line:
 - OneDriver™
 - SmartRadio™
 - WPA, WPA2
 - Cisco® Compatible Extensions (CCX)
 - AES in hardware
 - WMM for advanced Quality of Service
 - Xpress™ technology
 - 125 High Speed Mode™
- Reference designs include Secure Digital I/O, MiniPCI, CardBus, and Compact Flash.

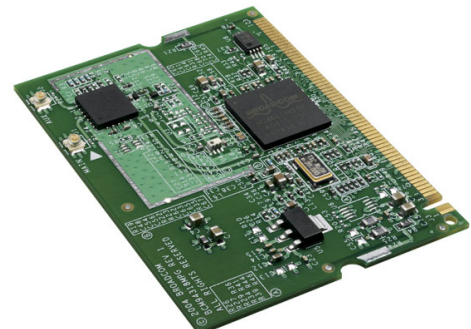
POWER MANAGEMENT

- Innovative power management techniques improve battery life by creating deep sleep state when device is in stand-by mode.
- Designed for low CPU utilization to ensure CPU resources are available for handheld applications.

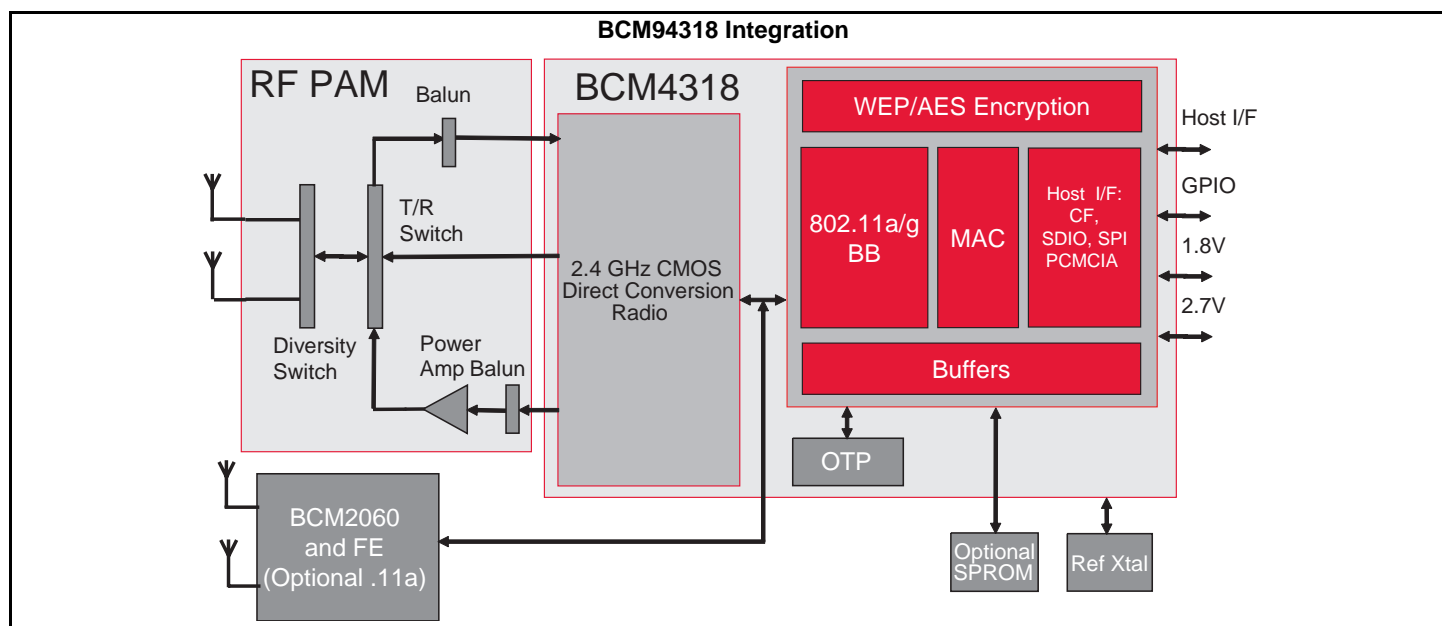
AIRFORCE FEATURE SET

- **SmartRadio:** Continuous calibration reduces test time and improves manufacturability.
- **Xpress Technology:** Standards-based frame bursting improves overall network efficiency.
- **125 High Speed Mode:** Standards-plus performance enhancement delivers best real-world performance when both client and AP support High Speed Mode.
- **Security:**
 - WPA- and WPA2-CERTIFIED for powerful encryption and authentication
 - AES in hardware for faster data encryption and 802.11i compatibility
 - Cisco Compatible Extensions (CCX, CCX 2.0) certified
 - SecureEZSetup™ for simple Wi-Fi setup and WPA security configuration
- **Worldwide support:** Global products supported with worldwide homologated design.
- **OneDriver:** Single driver across all platforms—802.11a/b/g—simplifies driver update process and improves customer satisfaction.

BCM94318 MP Reference Design



OVERVIEW



BCM94318 Specifications

Interface	PCI, SDIO/SPI
System Bus Support	PCI, CardBus, Compact Flash, EBI
Standard	IEEE 802.11g, 802.11a with external radio BCM2060
Data Rate, Mbps	54, 48, 36, 24, 18, 12, 9, 6/11, 5.5, 2, 1
Modulation	PSK/CCK, DQPSK, DBPSK, OFDM
Network Architectures	Infrastructure and ad hoc
Operating Frequencies	2.4 GHz—2.497 GHz, 4.9 GHz —5.85 GHz with 2060 option
Operating Channels	11 for North America; 13 for Europe, and 14 for Japan
RF Output Power	20 dBm maximum
Antenna Connectors	Hardware diversity support - Transmit and Receive
Power Requirements	1.8V (3.3V for ref designs)
Power Consumption	Average Standby < 20 mW
Security	802.1x; WEP; WEP2; WPA, WPA2; TKIP; Weak-key avoidance; CCX, CCX 2.0; 128-bit OCB mode AES, 802.11i
Dimensions	12mm x 12mm 196-pin pkg., 10mm x 10mm 144-pin pkg
Software Support	Microsoft WHQL certified for Windows XP, Windows 2000, Windows Me, and WindowsSE operating systems. Embedded drivers for Linux and VxWorks operating systems
Certifications	IEEE 802.11 compliant; Wi-Fi CERTIFIED; ACPI power management

Ordering Information:

- BCM94318 SD (2.4 GHz 802.11b/g Secure Digital Client Production Design), 144-pin BGA package
- BCM94318 MPG 802.11b/g MiniPCI
- BCM94318 MPAG 802.11a/g MiniPCI

Broadcom[®], the pulse logo, AirForce One[™], Xpress[™], 125 High Speed Mode[™], SecureEZSetup[™], and **Connecting everything**[®] are trademarks of Broadcom Corporation and/or its subsidiaries in the United States and certain other countries. All other trademarks mentioned are the property of their respective owners.

Specifications are subject to change without notice.

Connecting
everything[®]



BROADCOM CORPORATION
16215 Alton Parkway, P.O. Box 57013
Irvine, California 92619-7013

© 2004 by BROADCOM CORPORATION. All rights reserved.

94318-PB00-R 10/07/04

Phone: 949-450-8700
Fax: 949-450-8710
E-mail: info@broadcom.com
Web: www.broadcom.com