

**PLEASE CHECK WWW.MOLEX.COM FOR LATEST PART INFORMATION**

**Part Number:** **0473792000**  
**Status:** **Active**  
**Description:** 1.27mm (.050") Pitch External Improved Metal-Shielded Serial ATA Plug, Unmating Height 7.70mm (.303"), 0.76µm (30µ") Gold (Au) Plating, Top Surface Mount with Shell, Right Angle, 7 Circuits, with Vacuum Pick-Up Tape, with non-linear peg position, Lead Free

**Documents:**

[3D Model](#) [Product Specification PS-47082-001 \(PDF\)](#)  
[Drawing \(PDF\)](#) [RoHS Certificate of Compliance \(PDF\)](#)

**General**

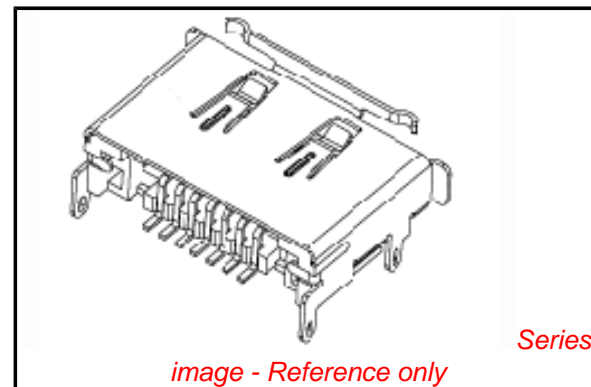
Product Family	I/O Connectors
Series	47379
Application	Wire-to-Board
Component Type	Plug
Product Name	External Serial ATA
Type	N/A

**Physical**

Boot Color	N/A
Circuits (Loaded)	7
Circuits (maximum)	7
Gender	Male
Keying to Mating Part	Yes
Lock to Mating Part	Yes
Material - Metal	Brass
Material - Plating Mating	Gold
Material - Plating Termination	Tin
Number of Rows	1
Orientation	Right Angle
PCB Locator	Yes
PCB Retention	Yes
PCB Thickness Recommended (in)	0.051 In
PCB Thickness Recommended (mm)	1.30 mm
Packaging Type	Embossed Tape on Reel
Panel Mount	Yes
Pitch - Mating Interface (in)	0.050 In
Pitch - Mating Interface (mm)	1.27 mm
Pitch - Term. Interface (in)	0.050 In
Pitch - Term. Interface (mm)	1.27 mm
Plating min: Mating (µin)	30
Plating min: Mating (µm)	0.76
Plating min: Termination (µin)	50
Plating min: Termination (µm)	1.27
Polarized to Mating Part	Yes
Polarized to PCB	Yes
Ports	1
Temperature Range - Operating	-35°C to +85°C
Termination Interface: Style	Surface Mount
Waterproof / Dustproof	No

**Electrical**

Current - Maximum per Contact	1.5A
Grounding to Panel	Yes
Shielded	Yes



**EU RoHS**

**ELV and RoHS  
Compliant**  
**REACH SVHC**  
 Not Reviewed  
**Halogen-Free  
Status**

**China RoHS**



**Not Reviewed**  
**Need more information on product  
environmental compliance?**

Email [productcompliance@molex.com](mailto:productcompliance@molex.com)  
 For a multiple part number RoHS Certificate of Compliance, [click here](#)

Please visit the [Contact Us](#) section for any non-product compliance questions.

**Search Parts in this Series**

47379Series

**Mates With**

68782 External Serial ATA Cable Assemblies

Voltage - Maximum

15V DC

**Material Info**

**Reference - Drawing Numbers**

Product Specification

PS-47082-001

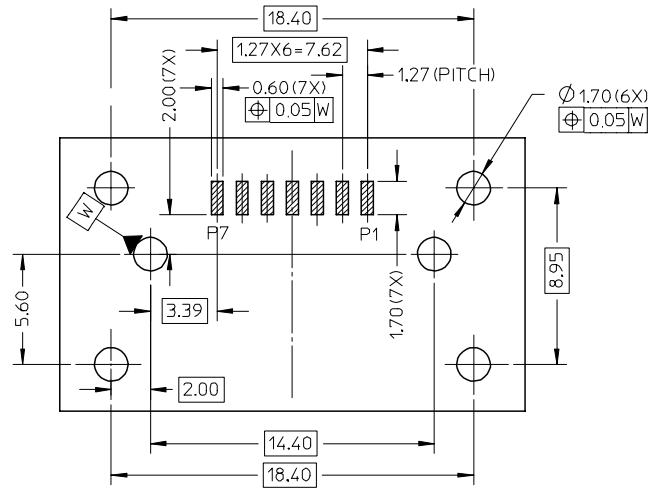
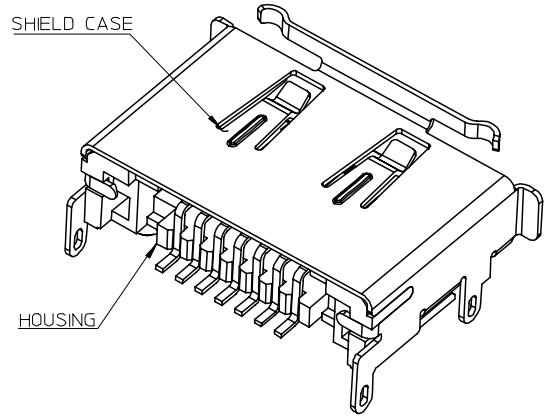
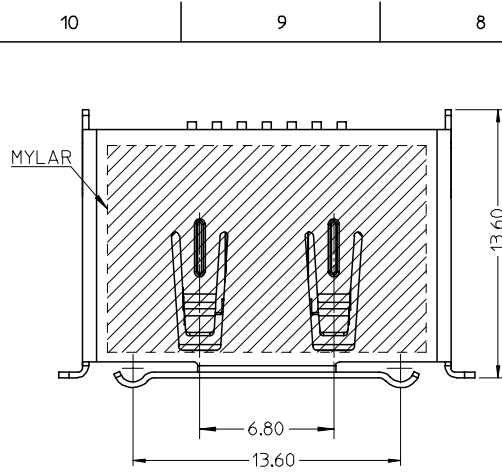
Sales Drawing

SD-47379-100

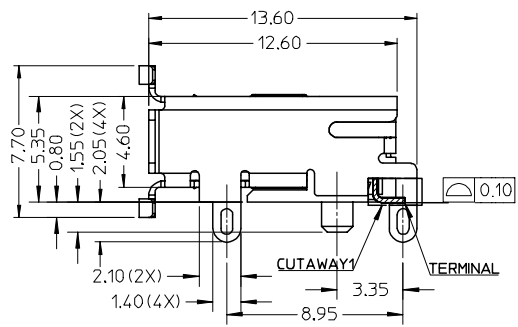
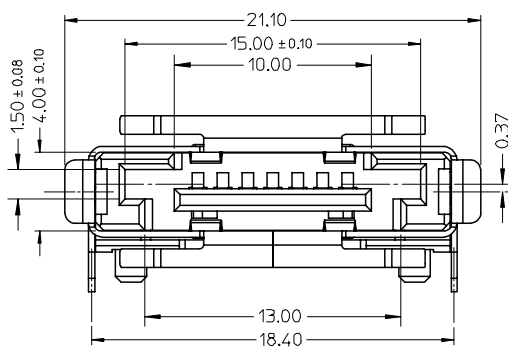
This document was generated on 04/02/2010

**PLEASE CHECK [WWW.MOLEX.COM](http://WWW.MOLEX.COM) FOR LATEST PART INFORMATION**

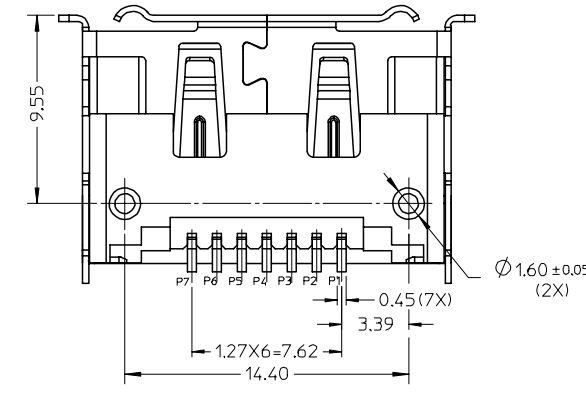




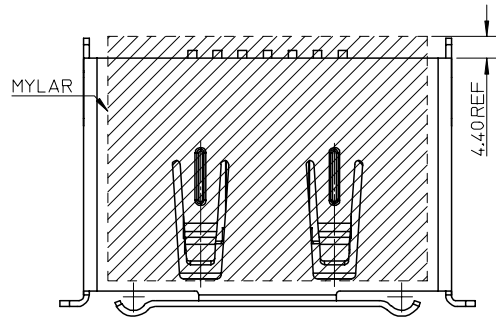
RECOMMEND PCB LAYOUT(CONNECTOR SIDE)  
THICKNESS=1.30(ALL TOLERANCE: ±0.05)



47379-2100	TERMINAL CONTACT AREA PLATED 30μ GOLD
47379-1100	TERMINAL CONTACT AREA PLATED 15μ GOLD
47379-0100	TERMINAL CONTACT AREA PLATED GOLD FLASH
PART NO.	DESCRIPTION

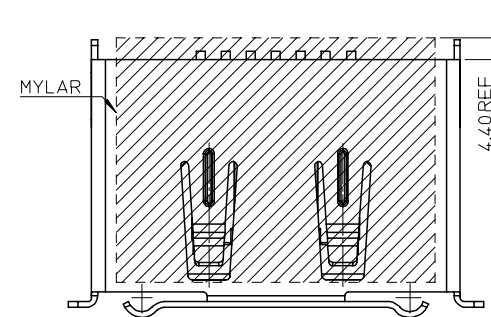


REVISED	EC NO:	2007/04/30	QUALITY SYMBOLS	GENERAL TOLERANCES (UNLESS SPECIFIED)	DIMENSION STYLE		SCALE	DESIGN UNITS	THIRD ANGLE PROJECTION
	DRWG:GLI	2007/05/04			MM ONLY		1:1	METRIC	
	CHKD:	2007/05/09			mm				
	APPR: JNCHEN	2007/05/09			INCH				
			DESCRIPTION	4 PLACES ± --- ± ---	DRAWN BY	DATE	TITLE	EXTERNAL SATA PLUG SMT WITH SHELL TOP MOUNT TYPE	
				3 PLACES ± --- ± ---	DIXON LI	2005/12/23			
				2 PLACES ± 0.2 ± ---	CHECKED BY	DATE		MOLEX INCORPORATED	
				1 PLACE ± 0.25 ± ---	JENNY ZENG	2005/12/23			
				ANGULAR ± 3 °	APPROVED BY	DATE		SD-47379-100	
					GRATE MA	2005/12/23			
					MATERIAL NO.			SHEET NO. 2 OF 3	
				DRAFT WHERE APPLICABLE MUST REMAIN WITHIN DIMENSIONS	SEE CHART				
					THIS DRAWING CONTAINS INFORMATION THAT IS PROPRIETARY TO MOLEX INCORPORATED AND SHOULD NOT BE USED WITHOUT WRITTEN PERMISSION				



ALL DIMENSION REFER TO SHEET 1.

47379-2010	TERMINAL CONTACT AREA PLATED 30μ" GOLD
47379-1010	TERMINAL CONTACT AREA PLATED 15μ" GOLD
47379-0010	TERMINAL CONTACT AREA PLATED GOLD FLASH
PART NO.	DESCRIPTION



ALL DIMENSION REFER TO SHEET 2.

47379-2110	TERMINAL CONTACT AREA PLATED 30μ" GOLD
47379-1110	TERMINAL CONTACT AREA PLATED 15μ" GOLD
47379-0110	TERMINAL CONTACT AREA PLATED GOLD FLASH
PART NO.	DESCRIPTION

REVISED EC NO: SH2007-0788 DRWN:GLLI CHKD:JTIAN APPR: JNCHEN	2007/04/30 2007/05/04 2007/05/09	QUALITY SYMBOLS ▽=0 ◻=0	GENERAL TOLERANCES (UNLESS SPECIFIED)		DIMENSION STYLE MM ONLY	SCALE 1:1	DESIGN UNITS METRIC	THIRD ANGLE PROJECTION	
	REV D		DESCRIPTION	4 PLACES ± --- ± --- 3 PLACES ± --- ± --- 2 PLACES ± 0.2 ± --- 1 PLACE ± 0.25 ± --- ANGULAR ± 3 °	INCH	DRAWN BY DIXON LI CHECKED BY JENNY ZENG APPROVED BY GRATE MA	DATE 2005/12/23 2005/12/23 2005/12/23	TITLE EXTERNAL SATA PLUG SMT WITH SHELL TOP MOUNT TYPE	MOLEX INCORPORATED
	DRAFT WHERE APPLICABLE MUST REMAIN WITHIN DIMENSIONS		SEE CHART	MATERIAL NO. SD-47379-100	DOCUMENT NO.	SHEET NO. 3 OF 3			
	THIS DRAWING CONTAINS INFORMATION THAT IS PROPRIETARY TO MOLEX INCORPORATED AND SHOULD NOT BE USED WITHOUT WRITTEN PERMISSION								