

PLEASE CHECK WWW.MOLEX.COM FOR LATEST PART INFORMATION

Part Number: **0444781112**
Status: **Active**
Overview: [minifit_plus_hcs](#)
Description: Mini-Fit HCS™ Crimp Terminal, 18-20 AWG, Bag, Copper (Cu) Alloy, Tin (Sn)

Documents:

[Drawing \(PDF\)](#) [RoHS Certificate of Compliance \(PDF\)](#)
[Product Specification PS-44476-001 \(PDF\)](#)

General

Product Family	Crimp Terminals
Series	44478
Comments	High Current
Crimp Quality Equipment	Yes
Overview	minifit_plus_hcs
Product Name	Mini-Fit HCS™

Physical

Gender	Male
Material - Metal	High Performance Alloy (HPA)
Material - Plating Mating	Tin
Material - Plating Termination	Tin
Packaging Type	Bag
Plating min: Mating (µin)	101.6
Plating min: Mating (µm)	2.54
Plating min: Termination (µin)	101.6
Plating min: Termination (µm)	2.54
Termination Interface: Style	Crimp or Compression
Wire Insulation Diameter	1.30-3.10mm (.051-.122")
Wire Size AWG	18, 20
Wire Size mm²	N/A

Electrical

Current - Maximum per Contact	11A
-------------------------------	-----

Material Info

Reference - Drawing Numbers

Packaging Specification	PK-5556-003
Product Specification	PS-44476-001, RPS-44476-001
Sales Drawing	SD-44478-****

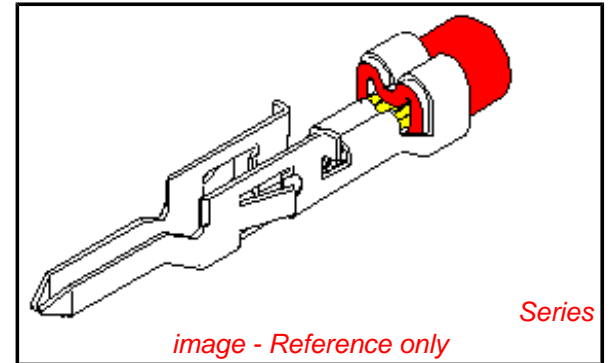


image - Reference only

EU RoHS

**ELV and RoHS
Compliant**
**REACH SVHC
Contains SVHC: No**
**Halogen-Free
Status**

China RoHS



**Need more information on product
environmental compliance?**

Email productcompliance@molex.com
For a multiple part number RoHS Certificate of Compliance, [click here](#)

Please visit the [Contact Us](#) section for any non-product compliance questions.

Search Parts in this Series

44478Series

Application Tooling | FAQ

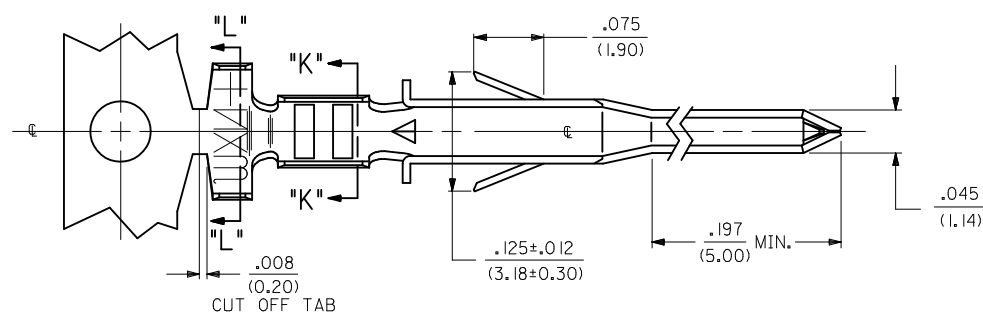
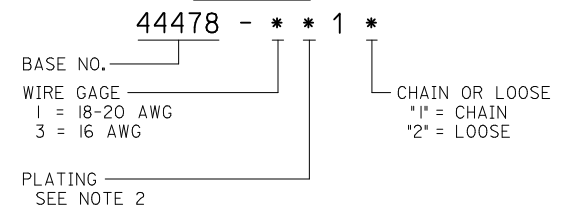
Tooling specifications and manuals are found by selecting the products below. Crimp Height Specifications are then contained in the Application Tooling Specification document.

Global

Description	Product #
Hand Crimp Tool for Mini-Fit™ Jr. Male and Female Crimp Terminals, 16-24 AWG	0638190900
Extraction Tool	0011030044

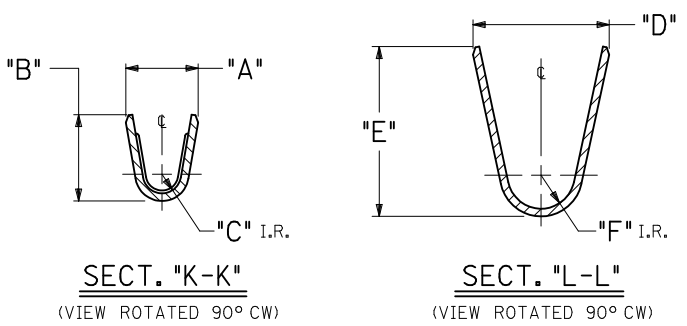
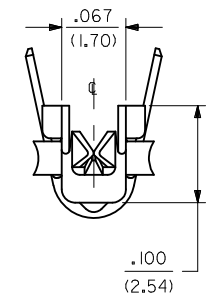
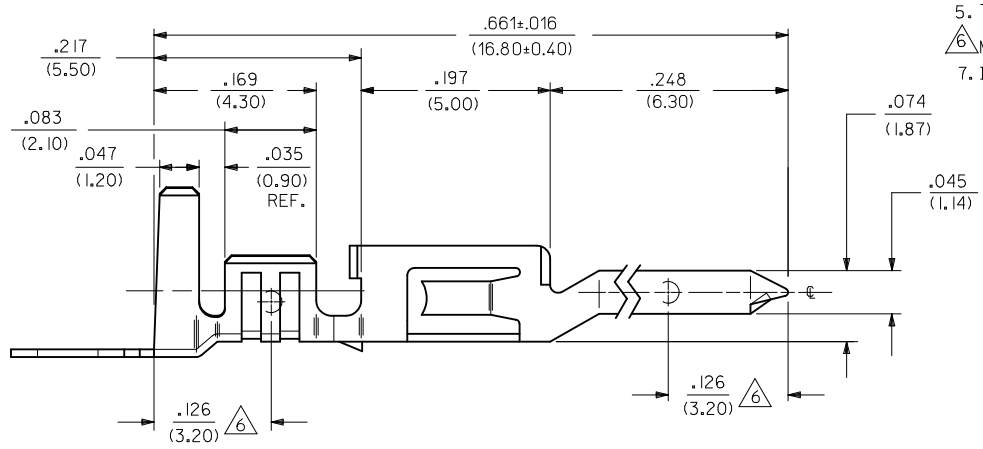
ITEM NO.	FORM	WIRE GAGE	RANGE OF INSULATION DIA.	DIM. "A"	DIM. "B"	DIM. "C"	DIM. "D"	DIM. "E"	DIM. "F"
44478-1111	CHAIN	18-20 GA.	.051-.122	.075±.012	.091±.016	.020	.142±.012	.177±.016	.035
44478-1112	LOOSE		(1.30-3.10)	(1.90±.30)	(2.30±.40)	(.50)	(3.60±.30)	(4.50±.40)	(.90)
44478-3111	CHAIN	16 GA.	.122	.091±.012	.106±.016	.024	.142±.012	.177±.016	.035
44478-3112	LOOSE		(3.10) MAX.	(2.30±.30)	(2.70±.40)	(.60)	(3.60±.30)	(4.50±.40)	(.90)
44478-1211	CHAIN	18-20 GA.	.051-.122	.075±.012	.091±.016	.020	.142±.012	.177±.016	.035
44478-1212	LOOSE		(1.30-3.10)	(1.90±.30)	(2.30±.40)	(.50)	(3.60±.30)	(4.50±.40)	(.90)
44478-3211	CHAIN	16 GA.	.122	.091±.012	.106±.016	.024	.142±.012	.177±.016	.035
44478-3212	LOOSE		(3.10) MAX.	(2.30±.30)	(2.70±.40)	(.60)	(3.60±.30)	(4.50±.40)	(.90)

LEGEND:



NOTES:

- MATERIAL:
COPPER ALLOY, .008/(0.20) THICK.
- FINISH:
*1= PLATING: POSTPLATE .000100/(.00254) MIN. BRIGHT TIN OVER .000030/(.00076) MIN. NICKEL OVERALL.
*2= PLATING: POSTPLATE .000030/(.000076) MIN. SELECT GOLD AND .000100/(0.00254) MIN. MATTE TIN OVER .000050/(.00127) MIN. NICKEL OVERALL.
*THE PRIMARY SHIPPING CARTON WILL BE LABELED *COMPLIANT TO RoHS DIRECTIVE 2002/95/EC AND ELV ANNEX II OF DIRECTIVE 2000/53/EC.* CARTONS WITHOUT THIS LABEL MAY CONTAIN PRODUCT WITH TIN-LEAD PLATING.
- PRODUCT SPECIFICATION PS-44476-001.
- PACKAGING SPECIFICATION: PK-44478-001 FOR CHAIN TERMINALS
PK-5556-003 FOR LOOSE TERMINALS
- TERMINAL IS FOR USE WITH MOLEX PLUG HOUSINGS 5559, 30068 AND 42475.
- MEASURING POINT FOR PLATING THICKNESS.
- ITEM NUMBERS PRECEDED BY AN *X* IN THE CHART ARE NOT AVAILABLE.



MODIFIED NOTES EC NO: UCP2010-0471 DRWN: JAGUILAR 2009/12/23 CHKD: J BELL 2009/12/23 APPR: FSMITH 2009/12/28 REV: G1	QUALITY SYMBOLS ▽=0 ▽=0	GENERAL TOLERANCES (UNLESS SPECIFIED) <table border="1"> <thead> <tr> <th></th> <th>mm</th> <th>INCH</th> </tr> </thead> <tbody> <tr> <td>4 PLACES ±</td> <td>---</td> <td>---</td> </tr> <tr> <td>3 PLACES ±</td> <td>---</td> <td>±.010</td> </tr> <tr> <td>2 PLACES ±</td> <td>0.25</td> <td>±.015</td> </tr> <tr> <td>1 PLACE ±</td> <td>0.38</td> <td>---</td> </tr> </tbody> </table>		mm	INCH	4 PLACES ±	---	---	3 PLACES ±	---	±.010	2 PLACES ±	0.25	±.015	1 PLACE ±	0.38	---	DIMENSION STYLE IN/MM	SCALE 10:1	DESIGN UNITS METRIC	THIRD ANGLE PROJECTION
		mm	INCH																		
4 PLACES ±	---	---																			
3 PLACES ±	---	±.010																			
2 PLACES ±	0.25	±.015																			
1 PLACE ±	0.38	---																			
DRAFT WHERE APPLICABLE MUST REMAIN WITHIN DIMENSIONS	MATERIAL NO. SEE CHART	DRAWN BY GEP DATE 1994/07/25	CHECKED BY RJF DATE 1994/07/25	APPROVED BY RJF DATE 1994/07/25	MOLEX INCORPORATED DOCUMENT NO. SD-44478-****	SHEET NO. 1 OF 1															

THIS DRAWING CONTAINS INFORMATION THAT IS PROPRIETARY TO MOLEX INCORPORATED AND SHOULD NOT BE USED WITHOUT WRITTEN PERMISSION