

PLEASE CHECK WWW.MOLEX.COM FOR LATEST PART INFORMATION

Part Number: [0444720504](#)
Status: **Active**
Description: 4.20mm (.165") Pitch Mini-Fit HCS™ Header, Single Row, Vertical, with Snap-in Plastic Peg PCB Lock, 5 Circuits, PA Polyamide Nylon 6/6 94V-0, without Drain Holes

Documents:

[3D Model](#) [Product Specification PS-44476-001 \(PDF\)](#)
[Drawing \(PDF\)](#) [RoHS Certificate of Compliance \(PDF\)](#)
[Packaging Specification \(PDF\)](#)

Agency Certification

CSA LR19980
 UL E29179

General

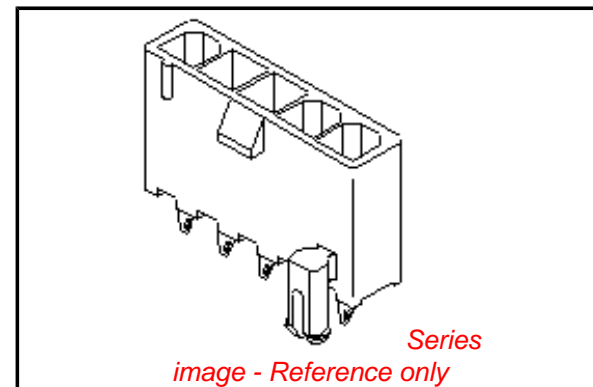
Product Family PCB Headers
 Series [44472](#)
 Application Wire-to-Board
 Comments Square Pin|Solder Type
 Product Name Mini-Fit HCS™

Physical

Breakaway No
 Circuits (Loaded) 5
 Circuits (maximum) 5
 Color - Resin Natural (White)
 Durability (mating cycles max) 30
 Flammability 94V-0
 Glow-Wire Compliant No
 Material - Metal High Performance Alloy (HPA)
 Material - Plating Mating Tin
 Material - Plating Termination Tin
 Material - Resin Nylon
 Number of Rows 1
 Orientation Vertical
 PCB Locator Yes
 PCB Retention Yes
 PCB Thickness Recommended (in) 0.070 In
 PCB Thickness Recommended (mm) 1.80 mm
 Packaging Type Tray
 Pitch - Mating Interface (in) 0.165 In
 Pitch - Mating Interface (mm) 4.20 mm
 Plating min: Mating (µin) 101.6
 Plating min: Mating (µm) 2.54
 Plating min: Termination (µin) 101.6
 Plating min: Termination (µm) 2.54
 Polarized to PCB Yes
 Shrouded Partial
 Stackable No
 Surface Mount Compatible (SMC) No
 Temperature Range - Operating -40°C to +105°C
 Termination Interface: Style Through Hole

Electrical

Current - Maximum per Contact 11A
 Voltage - Maximum 600V



EU RoHS

**ELV and RoHS
Compliant**
REACH SVHC
 Not Reviewed
**Halogen-Free
Status**

China RoHS



**Need more information on product
environmental compliance?**

Email productcompliance@molex.com
 For a multiple part number RoHS Certificate of Compliance, [click here](#)

Please visit the [Contact Us](#) section for any non-product compliance questions.

Search Parts in this Series

[44472Series](#)

Mates With

[5557](#)

Solder Process Data

Duration at Max. Process Temperature (seconds)	5
Lead-free Process Capability	Wave Capable (TH only)
Max. Cycles at Max. Process Temperature	1
Process Temperature max. C	260

Material Info**Reference - Drawing Numbers**

Product Specification	PS-44476-001, RPS-44476-001
Sales Drawing	SDA-44472-****

This document was generated on 04/09/2010

PLEASE CHECK WWW.MOLEX.COM FOR LATEST PART INFORMATION

CKT SIZE	DIM A	DIM B
4	.709 (18.00)	.496 (12.60)
5	.874 (22.20)	.661 (16.80)
6	1.039 (26.40)	.827 (21.00)
7	1.205 (30.60)	.992 (25.20)
8	1.370 (34.80)	1.157 (29.40)
9	1.535 (39.00)	1.323 (33.60)
10	1.701 (43.20)	1.488 (37.80)
11	1.866 (47.40)	1.654 (42.00)
12	2.031 (51.60)	1.819 (46.20)



- NOTES:
- MATERIALS:
HOUSING:
1=NYLON 6/6, UL94 V-2, COLOR: NATURAL
2=NYLON 6/6, UL94 V-0, COLOR: NATURAL
3=NYLON 6/6, UL94 V-2, COLOR: BLACK
TERMINALS:
COPPER ALLOY
 - TERMINAL PLATING:
1=.000100/(0.00254) MIN. BRIGHT TIN OVER
.000050/(0.00127) MIN. NICKEL
2=.000030/(0.00076) MIN. SELECT GOLD AND
.000100/(0.00254) MIN. SELECT MATTE TIN
OVER .000050/(0.00127) MIN. NICKEL OVERALL
3=.000100/(0.00254) MIN. MATTE TIN OVER
.000050/(0.00127) MIN. NICKEL
*THE PRIMARY SHIPPING CARTON WILL BE LABELED
"ELV AND RoHS COMPLIANT"; CARTONS WITHOUT THIS
LABEL MAY CONTAIN PRODUCT WITH TIN-LEAD PLATING.
 - PRODUCT SPECIFICATION: PS-44476-001
 - PACKAGING: SEE CHARTS
 - PART MATES WITH MINI-FIT JR. RECEPTACLE NO. 5557.
 - PART IS NOT DESIGNED FOR CURRENT SHARING.
 - PARTS ARE NOT TO BE MATED OR UN-MATED WHILE
CIRCUITS ARE LIVE.
 - 44472-2470 ONLY FOR WIDER LOCKING RAMP.
 - PARTS PRODUCED AFTER JULY 1, 2004 WILL HAVE "HCS"
MARKING INSTEAD OF BLACK STRIPE.
 - SEE CHART FOR PARTS WITH PEGS REMOVED.
 - PART CONFORMS TO CLASS 'B' REQUIREMENTS OF
COSMETIC SPECIFICATION PS-45499-002.



RECOMMENDED HOLE LAYOUT FOR
.070/(1.78) MAX. THICK P. C. BOARD
VIEWED FROM COMPONENT SIDE

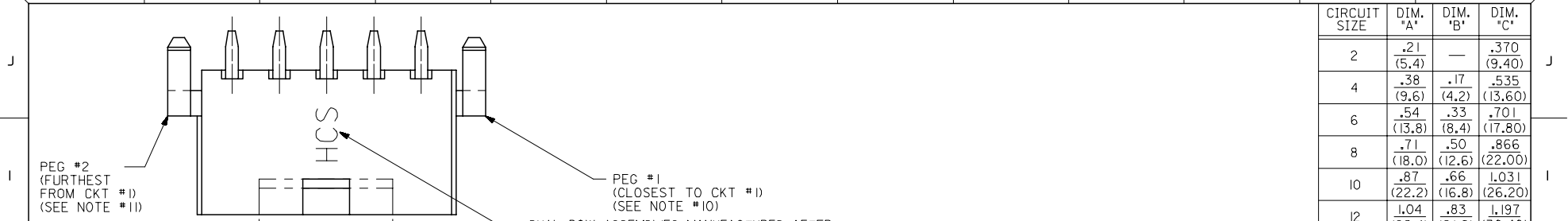
10	L
9	L
8	L
7	L
6	L
5	L
4	L
3	L
2	L
1	L
SHT	REV

LEGEND:
44472 - ** **
CIRCUIT SIZE
(04-12 FOR SINGLE ROW)
(02-24 FOR DUAL ROW)
ASSEMBLY VERSION
(01 THRU 49 FOR SINGLE ROW)
(50 THRU 99 FOR DUAL ROW)

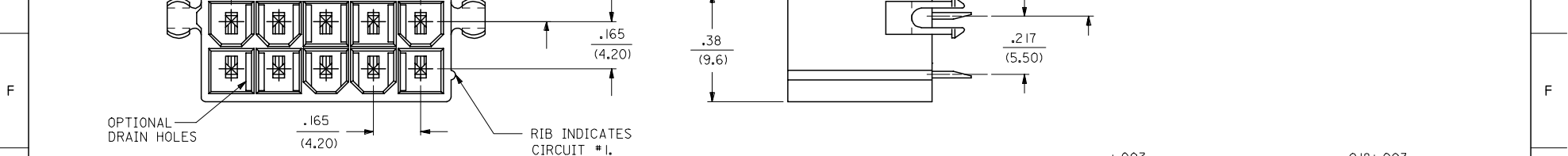
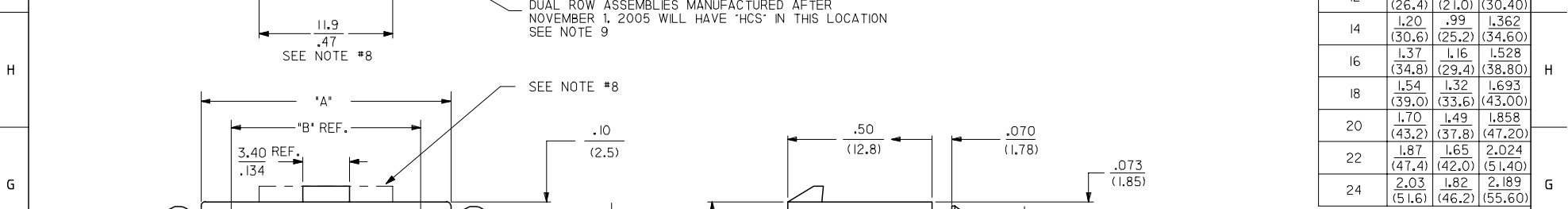
SEE SHT. 2 FOR DUAL ROW
* THE CHART FOR SINGLE ROW PRODUCT IS ON PAGE 7

STANDARDIZE NOTES EC NO: UCP2008-0153 2007/09/26 DRW:LLSCHMIDT 2007/09/26 CHKD:ADERR 2007/09/26 APPR:FSM TH 2007/09/26	QUALITY SYMBOLS =0 =0	GENERAL TOLERANCES (UNLESS SPECIFIED)		DIMENSION STYLE IN/MM		SCALE 4:1	DESIGN UNITS METRIC	THIRD ANGLE PROJECTION
		4 PLACES ± --- ± ---	3 PLACES ± --- ± .015	2 PLACES ± 0.38 ± .020	1 PLACE ± 0.50 ± ---	ANGULAR ±1/2°	DRAWN BY GEP	
DRAFT WHERE APPLICABLE MUST REMAIN WITHIN DIMENSIONS		SEE CHARTS		MATERIAL NO.		DOCUMENT NO. SDA-44472-****		SHEET NO. 1 OF 10
THIS DRAWING CONTAINS INFORMATION THAT IS PROPRIETARY TO MOLEX INCORPORATED AND SHOULD NOT BE USED WITHOUT WRITTEN PERMISSION								

13 12 11 10 9 8 7 6 5 4 3 2 1



CIRCUIT SIZE	DIM. 'A'	DIM. 'B'	DIM. 'C'
2	.21 (5.4)	—	.370 (9.40)
4	.38 (9.6)	.17 (4.2)	.535 (13.60)
6	.54 (13.8)	.33 (8.4)	.701 (17.80)
8	.71 (18.0)	.50 (12.6)	.866 (22.00)
10	.87 (22.2)	.66 (16.8)	1.031 (26.20)
12	1.04 (26.4)	.83 (21.0)	1.197 (30.40)
14	1.20 (30.6)	.99 (25.2)	1.362 (34.60)
16	1.37 (34.8)	1.16 (29.4)	1.528 (38.80)
18	1.54 (39.0)	1.32 (33.6)	1.693 (43.00)
20	1.70 (43.2)	1.49 (37.8)	1.858 (47.20)
22	1.87 (47.4)	1.65 (42.0)	2.024 (51.40)
24	2.03 (51.6)	1.82 (46.2)	2.189 (55.60)



RECOMMENDED HOLE LAYOUT FOR .070/(1.78) MAX. THICK P. C. BOARD
VIEWED FROM COMPONENT SIDE

SEE SHT. I FOR SINGLE ROW

STANDARDIZE NOTES EC NO: UCP2008-0153 DRAWN: SCHMIDT 2007/09/26 CHKD: ADERR 2007/09/26 APPR: FSM TH 2007/09/26	QUALITY SYMBOLS 	GENERAL TOLERANCES (UNLESS SPECIFIED)		DIMENSION STYLE IN/MM		SCALE 4:1	DESIGN UNITS METRIC	THIRD ANGLE PROJECTION	
		mm	INCH	DRAWN BY	DATE	TITLE MINI-FIT VERT HDR ASSY W & W/O PEGS/DRAIN HOLES SINGLE AND DUAL ROW			
		4 PLACES ± ---	± ---	GEP	1994/07/26	MOLEX INCORPORATED			
		3 PLACES ± ---	± .015	CHECKED BY	DATE	DOCUMENT NO. SDA-44472-****			
2 PLACES ± 0.38	± .020	RJF	1994/07/26	MATERIAL NO. SEE CHARTS		SHEET NO. 2 OF 10			
1 PLACE ± 0.50	± ---	APPROVED BY	DATE	THIS DRAFTING CONTAINS INFORMATION THAT IS PROPRIETARY TO MOLEX INCORPORATED AND SHOULD NOT BE USED WITHOUT WRITTEN PERMISSION					
ANGULAR ±1/2°		RJF	1994/07/26						
DRAFT WHERE APPLICABLE MUST REMAIN WITHIN DIMENSIONS									

13 12 11 10 9 8 7 6 5 4 3 2 1

J	PLATING: 1 (SEE NOTE 2)	PLATING: 1 (SEE NOTE 2)	PLATING: 1 (SEE NOTE 2)	PLATING: 1 (SEE NOTE 2)
	DRAINS: WITH DRAIN HOLES	DRAINS: WITH DRAIN HOLES	DRAINS: WITHOUT DRAIN HOLES	DRAINS: WITHOUT DRAIN HOLES
	PEGS: WITH PEGS	PEGS: WITH PEGS	PEGS: WITH PEGS	PEGS: WITH PEGS
	MAT'L: 94V-2 [NATURAL]	MAT'L: 94V-0 [NATURAL]	MAT'L: 94V-2 [NATURAL]	MAT'L: 94V-0 [NATURAL]
	PACKAGING: PK-5566-002	PACKAGING: PK-5566-002	PACKAGING: PK-5566-002	PACKAGING: PK-5566-002

	ITEM NO.	CKTS		ITEM NO.	CKTS		ITEM NO.	CKTS		ITEM NO.	CKTS
	44472-0401	4	X	44472-0402	4	X	44472-0403	4	X	44472-0404	4
X	44472-0501	5	X	44472-0502	5	X	44472-0503	5	X	44472-0504	5
X	44472-0601	6	X	44472-0602	6	X	44472-0603	6	X	44472-0604	6
X	44472-0701	7	X	44472-0702	7	X	44472-0703	7	X	44472-0704	7
X	44472-0801	8	X	44472-0802	8	X	44472-0803	8	X	44472-0804	8
X	44472-0901	9	X	44472-0902	9	X	44472-0903	9	X	44472-0904	9
X	44472-1001	10	X	44472-1002	10	X	44472-1003	10	X	44472-1004	10
X	44472-1101	11	X	44472-1102	11	X	44472-1103	11	X	44472-1104	11
X	44472-1201	12	X	44472-1202	12	X	44472-1203	12	X	44472-1204	12

G	PLATING: 2 (SEE NOTE 2)	PLATING: 2 (SEE NOTE 2)	PLATING: 2 (SEE NOTE 2)	PLATING: 2 (SEE NOTE 2)
	DRAINS: WITH DRAIN HOLES	DRAINS: WITH DRAIN HOLES	DRAINS: WITH DRAIN HOLES	DRAINS: WITH DRAIN HOLES
	PEGS: WITHOUT PEGS	PEGS: WITHOUT PEGS	PEGS: WITHOUT PEGS	PEGS: WITH PEGS
	MAT'L: 94V-2 [NATURAL]	MAT'L: 94V-0 [NATURAL]	MAT'L: 94V-2 [NATURAL]	MAT'L: 94V-0 [NATURAL]
	PACKAGING: PK-5566-002	PACKAGING: PK-5566-002	PACKAGING: PK-5566-002	PACKAGING: PK-5566-002

	ITEM NO.	CKTS		ITEM NO.	CKTS		ITEM NO.	CKTS		ITEM NO.	CKTS
X	44472-0405	4	X	44472-0406	4	X	44472-0407	4	X	44472-0408	4
X	44472-0505	5	X	44472-0506	5	X	44472-0507	5	X	44472-0508	5
X	44472-0605	6	X	44472-0606	6	X	44472-0607	6	X	44472-0608	6
X	44472-0705	7	X	44472-0706	7	X	44472-0707	7	X	44472-0708	7
X	44472-0805	8	X	44472-0806	8	X	44472-0807	8	X	44472-0808	8
X	44472-0905	9	X	44472-0906	9	X	44472-0907	9	X	44472-0908	9
X	44472-1005	10	X	44472-1006	10	X	44472-1007	10	X	44472-1008	10
X	44472-1105	11	X	44472-1106	11	X	44472-1107	11	X	44472-1108	11
X	44472-1205	12	X	44472-1206	12	X	44472-1207	12	X	44472-1208	12

TRAY PACKAGING
 EC NO: UCP2008-0153
 DRW: LLSCHMIDT 2007/09/26
 CHKD: ADERR 2007/09/26
 APPR: FSM TH 2007/09/26

QUALITY SYMBOLS

GENERAL TOLERANCES (UNLESS SPECIFIED)

	mm	INCH
4 PLACES	± .005	± .0002
3 PLACES	± .005	± .0002
2 PLACES	± .005	± .0002
1 PLACE	± .005	± .0002
ANGULAR ±1/2°		

DIMENSION STYLE
IN/MM

DRAWN BY: LEM DATE: 1999/02/26
 CHECKED BY: MAB DATE: 1999/02/26
 APPROVED BY: RRE DATE: 1999/02/26

SCALE: ---
 DESIGN UNITS: INCH
 THIRD ANGLE PROJECTION

TITLE: MINI-FIT VERT HDR ASSY W & W/O PEGS/DRAIN HOLES SINGLE AND DUAL ROW

MATERIAL NO. SDA-44472-****
 DOCUMENT NO. SDA-44472-****

SHEET NO. 7 OF 10

THIS DRAWING CONTAINS INFORMATION THAT IS PROPRIETARY TO MOLEX INCORPORATED AND SHOULD NOT BE USED WITHOUT WRITTEN PERMISSION

ib_frame_C_P_ME_T Rev. E 2006/04/15 12 11 10 9 8 7 6 5 4 3 2 1