

**PLEASE CHECK WWW.MOLEX.COM FOR LATEST PART INFORMATION**

**Part Number:** [0359790620](#)  
**Status:** **Planned for Obsolescence**  
**Description:** 7.92mm (.312") Pitch Wire-to-Board Header, Right Angle, 6 Circuits, White, Nylon

**Documents:**

[3D Model](#) [Product Specification PS-35979-001 \(PDF\)](#)  
[Drawing \(PDF\)](#) [RoHS Certificate of Compliance \(PDF\)](#)

**Agency Certification**

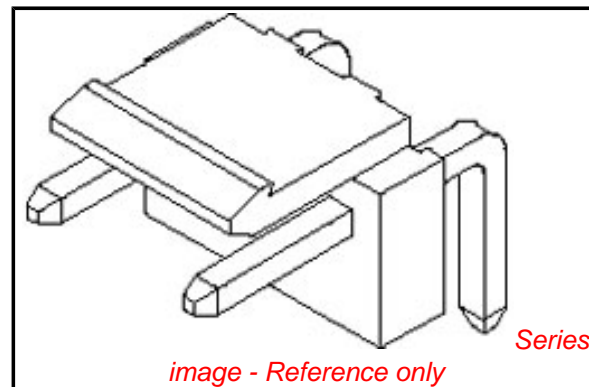
CSA	LR19980
TUV	R72090224
UL	E29179

**General**

Product Family	PCB Headers
Series	<a href="#">35979</a>
Application	Wire-to-Board
Product Name	N/A

**Physical**

Breakaway	No
Circuits (Loaded)	6
Circuits (maximum)	6
Color - Resin	White
Durability (mating cycles max)	30
First Mate / Last Break	No
Flammability	94V-0
Glow-Wire Compliant	No
Guide to Mating Part	No
Keying to Mating Part	None
Lock to Mating Part	Yes
Material - Plating Mating	Tin
Material - Plating Termination	Tin
Material - Resin	Nylon
Number of Rows	1
Orientation	Right Angle
PC Tail Length (in)	0.146 In
PC Tail Length (mm)	3.70 mm
PCB Locator	No
PCB Retention	None
PCB Thickness Recommended (in)	0.062 In
PCB Thickness Recommended (mm)	1.60 mm
Packaging Type	Bag
Pitch - Mating Interface (in)	0.312 In
Pitch - Mating Interface (mm)	7.92 mm
Plating min: Mating (µin)	120
Plating min: Mating (µm)	3.00
Plating min: Termination (µin)	120
Plating min: Termination (µm)	3.00
Polarized to Mating Part	No
Polarized to PCB	No
Shrouded	No
Stackable	Yes
Surface Mount Compatible (SMC)	No
Temperature Range - Operating	-25°C to +85°C
Termination Interface: Style	Through Hole



*image - Reference only*

**EU RoHS**

**ELV and RoHS  
Compliant**  
**REACH SVHC**  
 Not Reviewed  
**Halogen-Free  
Status**  
 Not Reviewed

**China RoHS**



**Need more information on product  
environmental compliance?**

Email [productcompliance@molex.com](mailto:productcompliance@molex.com)  
 For a multiple part number RoHS Certificate of  
 Compliance, [click here](#)

Please visit the [Contact Us](#) section for any  
 non-product compliance questions.

**Search Parts in this Series**

[35979Series](#)

**Mates With**

[35977 Wire-to-Board Housing](#)

**Electrical**

Current - Maximum per Contact

7A

Voltage - Maximum

250V

**Material Info****Reference - Drawing Numbers**

Product Specification

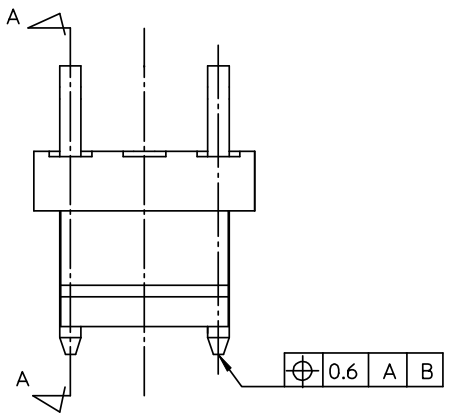
PS-35979-001

Sales Drawing

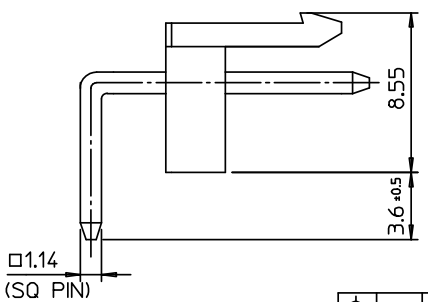
SD-35979-002

This document was generated on 06/07/2010

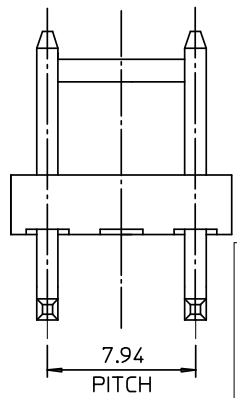
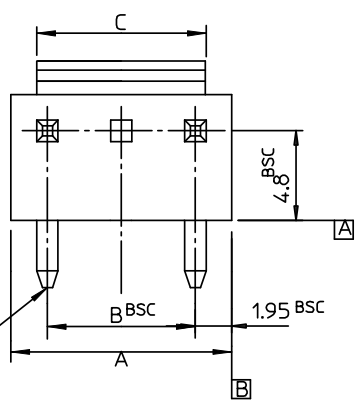
**PLEASE CHECK [WWW.MOLEX.COM](http://WWW.MOLEX.COM) FOR LATEST PART INFORMATION**



⊕ 0.6 A B



⊕ 0.6 A B

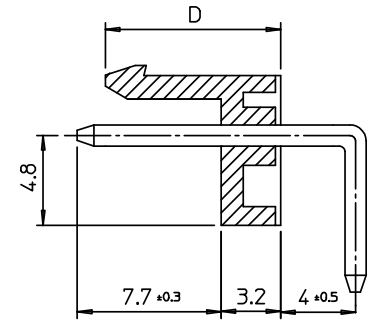


NOTES

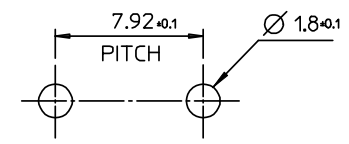
- MATERIAL : HEADER - PA66, PBT/PC  
PIN : BRASS(CDA 2700)
- FINISHES : PIN  
THICKNESS - TIN PLATED 3.0 MICROMETER MIN.  
OVER Cu 1.5 MICROMETER MIN.
- PRODUCT SPECIFICATION : PS-35979-002

LEGEND

- 35979-\*\*\*\*
- COLOR : 0 - WHITE  
1 - BLACK  
2 - RED  
3 - YELLOW  
4 - BLUE
  - PIN TYPE : RIGHT ANGLE MATERIAL : 2 : PA66 5 : PBT/PC
  - CIRCUIT NO. (02,03,04...)



SECTION A-A



P.C. BOARD LAYOUT (t=1.6)

9.4	56.50	55.44	59.40	3597908**	35979-08**	8	15
	48.58	47.52	51.48	3597907**	35979-07**	7	13
	40.66	39.60	43.56	3597906**	35979-06**	6	11
9.7	32.74	31.68	35.64	3597905**	35979-05**	5	9
	24.82	23.76	27.72	3597904**	35979-04**	4	7
	16.90	15.84	19.80	3597903**	35979-03**	3	5
D	C	B	A	MAT'L NO	ENG NO.	CKT	N

REVISED	DESCRIPTION
EC NO: KOR2008-0143	2008/02/26
DRWN: JHPARK01	2008/02/26
CHKD: WY. YANG	2008/02/26
APPR: YUNS.IKKIM	2008/02/27
REV	DESCRIPTION

QUALITY SYMBOLS	GENERAL TOLERANCES (UNLESS SPECIFIED)	
	mm	INCH
▽=0	4 PLACES ±---	±---
∇=0	3 PLACES ±---	±---
	2 PLACES ±---	±---
	1 PLACE ±0.2	±---
	ANGULAR ± 2 °	
	DRAFT WHERE APPLICABLE MUST REMAIN WITHIN DIMENSIONS	

DIMENSION STYLE MM ONLY	
DRAWN BY YR. WI	DATE 1999/05/07
CHECKED BY JK. OH	DATE 1999/05/07
APPROVED BY CW. LEE	DATE 1999/05/07
MATERIAL NO.	
SEE TABLE	
SIZE A3	THIS DRAWING CONTAINS INFORMATION THAT IS PROPRIETARY TO MOLEX INCORPORATED AND SHOULD NOT BE USED WITHOUT WRITTEN PERMISSION

SCALE 3.5:1	DESIGN UNITS METRIC	THIRD ANGLE PROJECTION
TITLE 7.92 PITCH W-T-B CONN. HEADER ASSY(R/A)		
MOLEX MOLEX INCORPORATED		
MATERIAL NO. SD-35979-002	DOCUMENT NO.	SHEET NO. 1 OF 01