

PLEASE CHECK WWW.MOLEX.COM FOR LATEST PART INFORMATION

Part Number: **0359781510**
Status: **Planned for Obsolescence**
Description: 3.96mm (.156") Pitch Wire-to-Board Header, Vertical, Low Profile, 15 Circuits, Natural, Nylon

Documents:

[3D Model](#) [Product Specification PS-35978-001 \(PDF\)](#)
[Drawing \(PDF\)](#) [RoHS Certificate of Compliance \(PDF\)](#)

Agency Certification

CSA LR19980

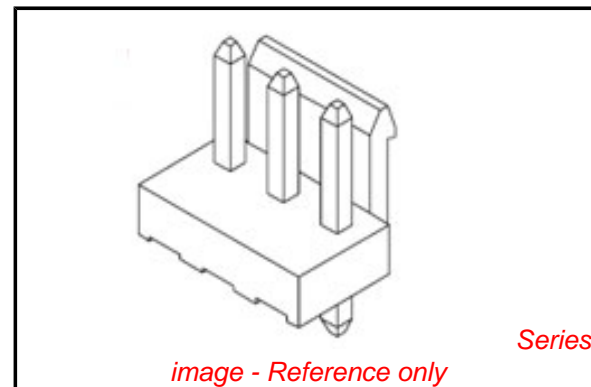
General

Product Family PCB Headers
 Series 35978
 Application Wire-to-Board
 Product Name MV-396™

Physical

Breakaway No
 Circuits (Loaded) 15
 Circuits (maximum) 15
 Color - Resin Natural
 Durability (mating cycles max) 30
 First Mate / Last Break No
 Flammability 94V-0
 Glow-Wire Compliant No
 Guide to Mating Part No
 Keying to Mating Part None
 Lock to Mating Part Yes
 Material - Metal Brass
 Material - Plating Mating Tin
 Material - Plating Termination Tin-Lead
 Material - Resin Nylon
 Number of Rows 1
 Orientation Vertical
 PC Tail Length (in) 0.146 In
 PC Tail Length (mm) 3.70 mm
 PCB Locator No
 PCB Retention None
 PCB Thickness Recommended (in) 0.062 In
 PCB Thickness Recommended (mm) 1.60 mm
 Packaging Type Bag
 Pitch - Mating Interface (in) 0.156 In
 Pitch - Mating Interface (mm) 3.96 mm
 Pitch - Term. Interface (in) 0.156 In
 Pitch - Term. Interface (mm) 3.96 mm
 Polarized to Mating Part No
 Polarized to PCB No
 Shrouded No
 Stackable Yes
 Surface Mount Compatible (SMC) No
 Temperature Range - Operating -25°C to +85°C
 Termination Interface: Style Through Hole

Electrical



EU RoHS

**ELV and RoHS
 Compliant
 REACH SVHC
 Not Reviewed
 Halogen-Free
 Status
 Not Reviewed**

China RoHS



**Need more information on product
 environmental compliance?**

Email productcompliance@molex.com
 For a multiple part number RoHS Certificate of
 Compliance, [click here](#)

Please visit the [Contact Us](#) section for any
 non-product compliance questions.

Search Parts in this Series

35978Series

Mates With

35977 Wire-to-Board Housing

Current - Maximum per Contact
Voltage - Maximum

7A
250V

Material Info

Reference - Drawing Numbers

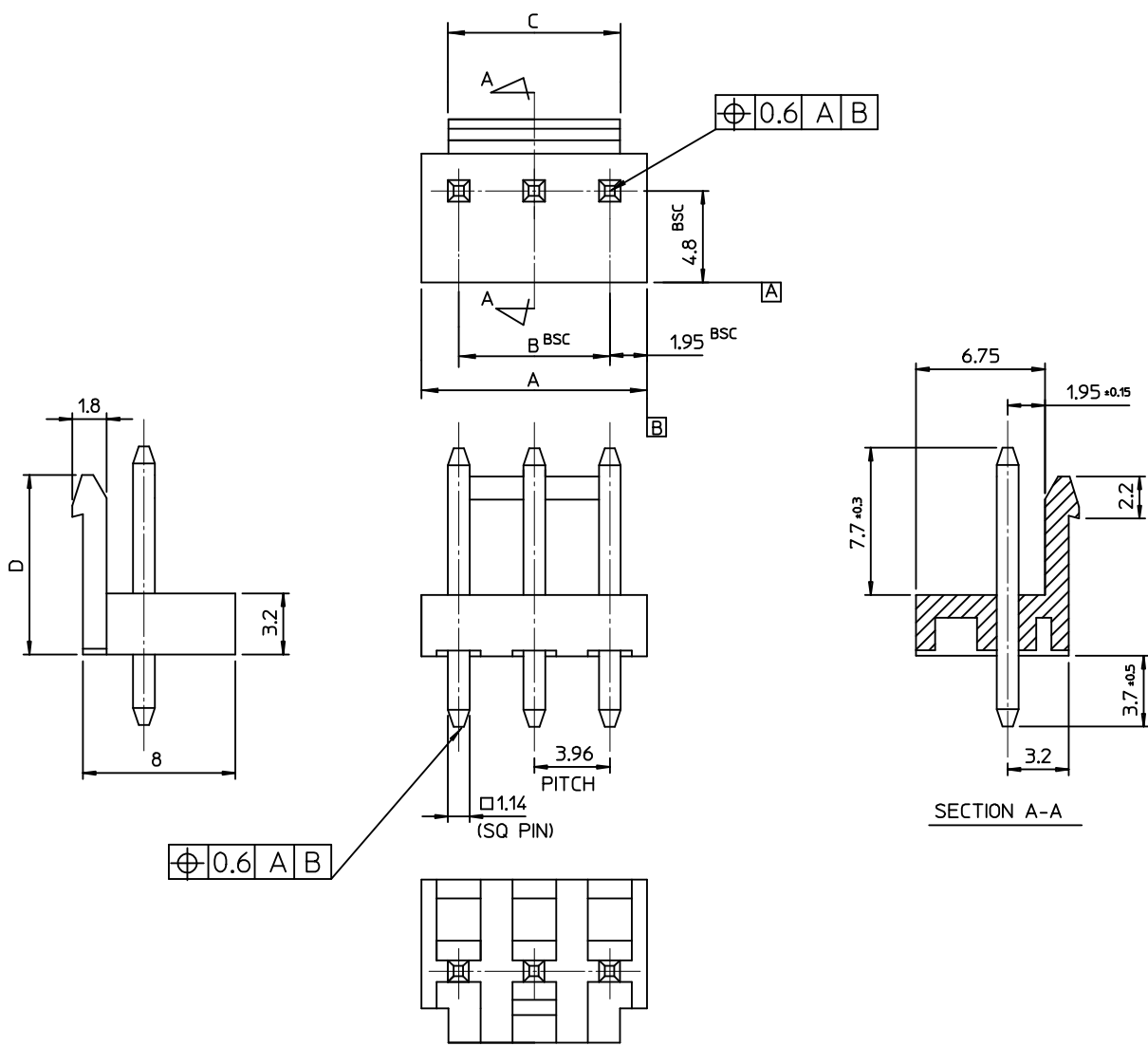
Packaging Specification
Product Specification
Sales Drawing

PK-35978-001
PS-35978-001
SD-35978-001

This document was generated on 06/07/2010

PLEASE CHECK WWW.MOLEX.COM FOR LATEST PART INFORMATION

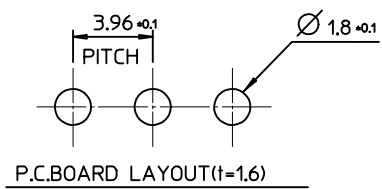
10 9 8 7 6 5 4 3 2 1



NOTES
 1. MATERIAL : HEADER : PA66, ①PC/PET
 PIN : BRASS(CDA 2700)
 2. FINISHES : PIN
 THICKNESS - TIN PLATED 3.0 MICROMETER MIN.
 OVER Cu 1.5 MICROMETER MIN.
 3. PRODUCT SPECIFICATION : PS-35978-001

LEGEND
 35978-****
 -COLOR : 0 - WHITE
 1 - BLACK
 2 - RED
 3 - YELLOW
 4 - BLUE
 MATERIAL 1 : PA66 ①3 : PC/PET
 CURCUIT NO. (02,03,04...)

9.4	56.50	55.44	59.40	3597815**	35978-15**	15
	52.54	51.48	55.44	3597814**	-14**	14
	48.58	47.52	51.48	3597813**	-13**	13
	44.62	43.56	47.52	3597812**	-12**	12
9.7	40.66	39.60	43.56	3597811**	-11**	11
	36.70	35.64	39.60	3597810**	-10**	10
	32.74	31.68	35.64	3597809**	-09**	9
	28.78	27.72	31.68	3597808**	-08**	8
	24.84	23.76	27.72	3597807**	-07**	7
	20.86	19.80	23.76	3597806**	-06**	6
	16.90	15.84	19.80	3597805**	-05**	5
	12.94	11.88	15.84	3597804**	-04**	4
	8.98	7.92	11.88	3597803**	-03**	3
	5.02	3.96	7.92	3597802**	-02**	2
D	C	B	A	MAT'L NO	ENG NO.	CURCUITS



REVISED EC NO: KOR2009-0137 DRWN: JHPARK01 2009/05/21 CHKD: WY. YANG 2009/05/21 APPR: YUNS.IKK.LM 2009/05/22	QUALITY SYMBOLS ▽=0 ∇=0	GENERAL TOLERANCES (UNLESS SPECIFIED) mm INCH	DIMENSION STYLE MM ONLY	SCALE 4:1	DESIGN UNITS METRIC	THIRD ANGLE PROJECTION
	4 PLACES ± --- ± ---	DRAWN BY Y.R.WI	DATE 1999/05/07	TITLE 3.96 W/B HEADER ASSY		
	3 PLACES ± --- ± ---	CHECKED BY J.K.OH	DATE 1999/05/07	MOLEX INCORPORATED		
	2 PLACES ± --- ± ---	APPROVED BY C.W.LEE	DATE 1999/05/07	DOCUMENT NO. SD-35978-001	SHEET NO. 1 OF 01	
1 PLACE ± 0.30 ± ---	ANGULAR ± 2 °	MATERIAL NO.	SEE TABLE	THIS DRAWING CONTAINS INFORMATION THAT IS PROPRIETARY TO MOLEX INCORPORATED AND SHOULD NOT BE USED WITHOUT WRITTEN PERMISSION		
DRAFT WHERE APPLICABLE MUST REMAIN WITHIN DIMENSIONS	SIZE A3					

9 8 7 6 5 4 3 2 1