

**PLEASE CHECK WWW.MOLEX.COM FOR LATEST PART INFORMATION**

**Part Number:** **0359781320**  
**Status:** **Planned for Obsolescence**  
**Description:** 3.96mm (.156") Pitch Wire-to-Board Header, Right Angle, Low Profile, 13 Circuits, Natural, Nylon

**Documents:**

[3D Model](#) [Product Specification PS-35978-001 \(PDF\)](#)  
[Drawing \(PDF\)](#) [RoHS Certificate of Compliance \(PDF\)](#)

**Agency Certification**

CSA LR19980

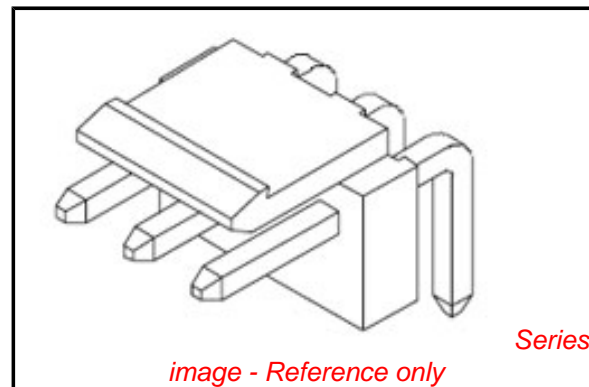
**General**

Product Family PCB Headers  
 Series 35978  
 Application Wire-to-Board  
 Product Name MV-396™

**Physical**

Breakaway No  
 Circuits (Loaded) 13  
 Circuits (maximum) 13  
 Color - Resin Natural  
 Durability (mating cycles max) 30  
 First Mate / Last Break No  
 Flammability 94V-0  
 Glow-Wire Compliant No  
 Guide to Mating Part No  
 Keying to Mating Part None  
 Lock to Mating Part Yes  
 Material - Metal Brass  
 Material - Plating Mating Tin  
 Material - Plating Termination Copper  
 Material - Resin Nylon  
 Number of Rows 1  
 Orientation Right Angle  
 PC Tail Length (in) 0.146 In  
 PC Tail Length (mm) 3.70 mm  
 PCB Locator No  
 PCB Retention None  
 PCB Thickness Recommended (in) 0.062 In  
 PCB Thickness Recommended (mm) 1.60 mm  
 Packaging Type Bag  
 Pitch - Mating Interface (in) 0.156 In  
 Pitch - Mating Interface (mm) 3.96 mm  
 Pitch - Term. Interface (in) 0.156 In  
 Pitch - Term. Interface (mm) 3.96 mm  
 Polarized to Mating Part No  
 Polarized to PCB No  
 Shrouded No  
 Stackable Yes  
 Surface Mount Compatible (SMC) No  
 Temperature Range - Operating -25°C to +85°C  
 Termination Interface: Style Through Hole

**Electrical**



**EU RoHS**

**ELV and RoHS  
 Compliant  
 REACH SVHC  
 Not Reviewed  
 Halogen-Free  
 Status  
 Not Reviewed**

**China RoHS**



**Need more information on product  
 environmental compliance?**

Email [productcompliance@molex.com](mailto:productcompliance@molex.com)  
 For a multiple part number RoHS Certificate of Compliance, [click here](#)

Please visit the [Contact Us](#) section for any non-product compliance questions.

**Search Parts in this Series**

35978Series

**Mates With**

35977 Wire-to-Board Housing

Current - Maximum per Contact  
Voltage - Maximum

7A  
250V

**Material Info**

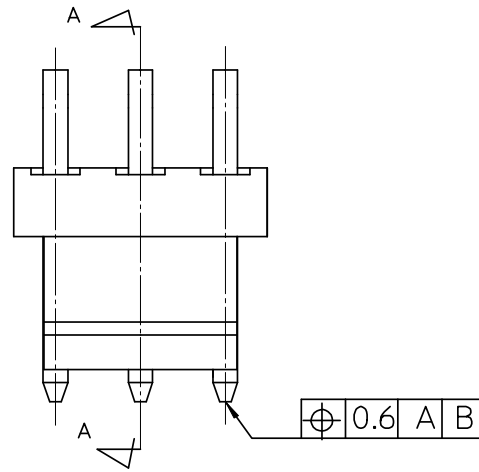
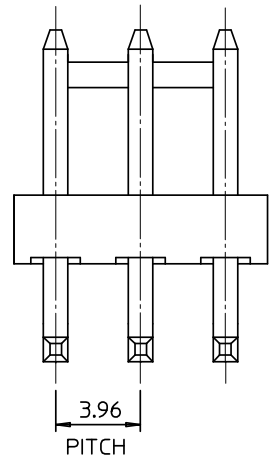
**Reference - Drawing Numbers**

Product Specification  
Sales Drawing

PS-35978-001  
SD-35978-002

This document was generated on 06/07/2010

**PLEASE CHECK [WWW.MOLEX.COM](http://WWW.MOLEX.COM) FOR LATEST PART INFORMATION**

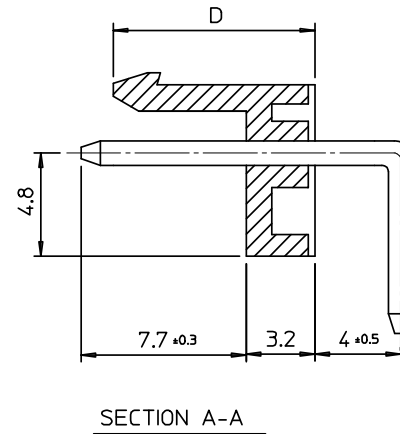
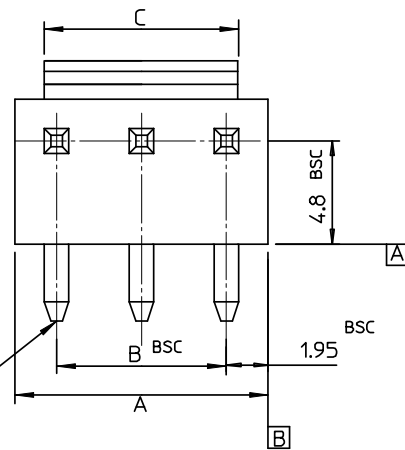
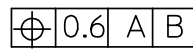
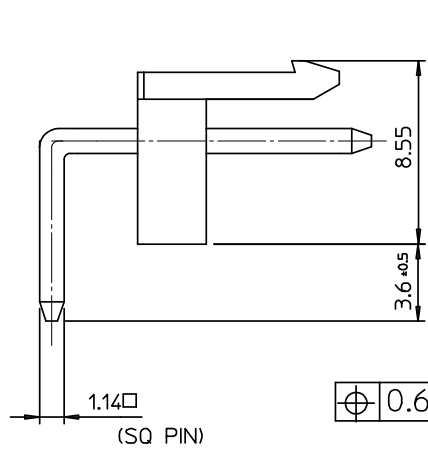


NOTES

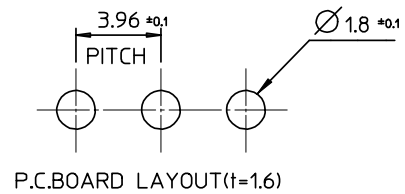
- MATERIAL : HEADER - PA66, PBT/PC  
PIN : BRASS(CDA 2700)
- FINISHES : PIN  
THICKNESS - TIN 3.0 MICROMETER MIN.  
OVER Cu 1.5 MICROMETER MIN.
- PRODUCT SPECIFICATION : PS-35978-002

LEGEND

- 35978-\*\*\*\*
- COLOR : 0 - WHITE  
1 - BLACK  
2 - RED  
3 - YELLOW  
4 - BLUE
  - MATERIAL : 2 : PA66 4 : PBT/PC
  - CURCUIT NO. (02,03,04...)



|     |       |       |       |           |            |          |
|-----|-------|-------|-------|-----------|------------|----------|
| 9.4 | 56.50 | 55.44 | 59.40 | 3597815** | 35978-15** | 15       |
|     | 52.54 | 51.48 | 55.44 | 3597814** | -14**      | 14       |
| 9.7 | 48.58 | 47.52 | 51.48 | 3597813** | -13**      | 13       |
|     | 44.62 | 43.56 | 47.52 | 3597812** | -12**      | 12       |
| D   | 40.66 | 39.60 | 43.56 | 3597811** | -11**      | 11       |
|     | 36.70 | 35.64 | 39.60 | 3597810** | -10**      | 10       |
| C   | 32.74 | 31.68 | 35.64 | 3597809** | -09**      | 9        |
|     | 28.78 | 27.72 | 31.68 | 3597808** | -08**      | 8        |
| B   | 24.84 | 23.76 | 27.72 | 3597807** | -07**      | 7        |
|     | 20.86 | 19.80 | 23.76 | 3597806** | -06**      | 6        |
| A   | 16.90 | 15.84 | 19.80 | 3597805** | -05**      | 5        |
|     | 12.94 | 11.88 | 15.84 | 3597804** | -04**      | 4        |
| D   | 8.98  | 7.92  | 11.88 | 3597803** | -03**      | 3        |
|     | 5.02  | 3.96  | 7.92  | 3597802** | -02**      | 2        |
|     |       |       |       | MAT'L NO  | ENG NO.    | CURCUITS |



|                     |             |
|---------------------|-------------|
| REVISED             | DESCRIPTION |
| EC NO: KOR2008-0143 |             |
| DRWN: JHPARK01      | 2008/02/26  |
| CHKD: WY. YANG      | 2008/07/26  |
| APPR: YUNS.IKK.IM   | 2008/02/27  |
| REV                 |             |

|                 |             |
|-----------------|-------------|
| QUALITY SYMBOLS | DESCRIPTION |
| ▽=0             |             |
| ∇=0             |             |

|  |             |
|--|-------------|
| GENERAL TOLERANCES (UNLESS SPECIFIED)                |             |
|  | mm INCH     |
| 4 PLACES   | ± --- ± --- |
| 3 PLACES   | ± --- ± --- |
| 2 PLACES   | ± --- ± --- |
| 1 PLACE  | ± 0.2 ± --- |
| ANGULAR ± 2 °  |             |
| DRAFT WHERE APPLICABLE MUST REMAIN WITHIN DIMENSIONS |             |

|                 |            |
|-----------------|------------|
| DIMENSION STYLE |            |
| MM ONLY         |            |
| DRAWN BY        | DATE       |
| Y. R. WI        | 1999/05/07 |
| CHECKED BY      | DATE       |
| J. K. OH        | 1999/05/07 |
| APPROVED BY     | DATE       |
| C. W. LEE       | 1999/05/07 |
| MATERIAL NO.    |            |
| SEE TABLE       |            |
| SIZE            |            |
| A3              |            |

|                          |              |                        |
|--------------------------|--------------|------------------------|
| SCALE                    | DESIGN UNITS | THIRD ANGLE PROJECTION |
| 4:1                      | METRIC       |                        |
| TITLE                    |              |                        |
| 3.96 W/B HEADER ASSY(RA) |              |                        |
| MATERIAL NO.             |              | SHEET NO.              |
| SEE TABLE                |              | 1 OF 01                |
| MOLEX INCORPORATED       |              |                        |
| DOCUMENT NO.             |              |                        |
| SD-35978-002             |              |                        |