

PLEASE CHECK WWW.MOLEX.COM FOR LATEST PART INFORMATION

Part Number: [0359781130](#)
Status: **Planned for Obsolescence**
Description: 3.96mm (.156") Pitch Wire-to-Board Header, Vertical, Low Profile, 11 Circuits, Natural, Polyester Alloy

Documents:

[Drawing \(PDF\)](#) [RoHS Certificate of Compliance \(PDF\)](#)
[Product Specification PS-35978-001 \(PDF\)](#)

Agency Certification

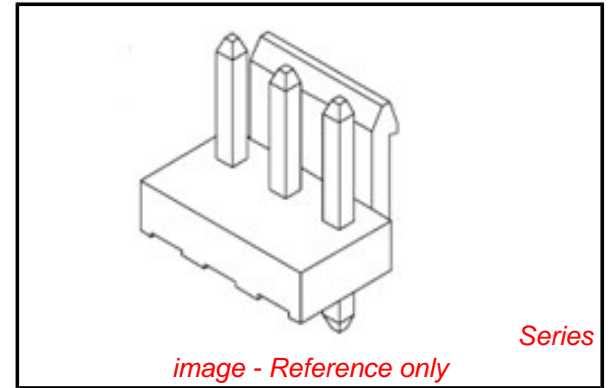
CSA LR19980
 UL E29179

General

Product Family PCB Headers
 Series [35978](#)
 Application Wire-to-Board
 Product Name MV-396™

Physical

Breakaway No
 Circuits (Loaded) 11
 Circuits (maximum) 11
 Color - Resin Natural
 Durability (mating cycles max) 30
 First Mate / Last Break No
 Flammability 94V-0
 Glow-Wire Compliant Yes
 Guide to Mating Part No
 Keying to Mating Part None
 Lock to Mating Part Yes
 Material - Metal Brass
 Material - Plating Mating Tin
 Material - Plating Termination Tin-Lead
 Material - Resin Polyester Alloy
 Number of Rows 1
 Orientation Vertical
 PC Tail Length (in) 0.146 In
 PC Tail Length (mm) 3.70 mm
 PCB Locator No
 PCB Retention None
 PCB Thickness Recommended (in) 0.062 In
 PCB Thickness Recommended (mm) 1.60 mm
 Packaging Type Bag
 Pitch - Mating Interface (in) 0.156 In
 Pitch - Mating Interface (mm) 3.96 mm
 Pitch - Term. Interface (in) 0.156 In
 Pitch - Term. Interface (mm) 3.96 mm
 Polarized to Mating Part No
 Polarized to PCB No
 Shrouded No
 Stackable Yes
 Surface Mount Compatible (SMC) No
 Temperature Range - Operating -25°C to +85°C
 Termination Interface: Style Through Hole



EU RoHS

**ELV and RoHS
 Compliant
 REACH SVHC
 Not Reviewed
 Halogen-Free
 Status**

China RoHS



**Need more information on product
 environmental compliance?**

Email productcompliance@molex.com
 For a multiple part number RoHS Certificate of Compliance, [click here](#)

Please visit the [Contact Us](#) section for any non-product compliance questions.

Search Parts in this Series

[35978Series](#)

Mates With

[35977 Wire-to-Board Housing](#)

Electrical

Current - Maximum per Contact

7A

Voltage - Maximum

250V

Material Info**Reference - Drawing Numbers**

Packaging Specification

PK-35978-001

Product Specification

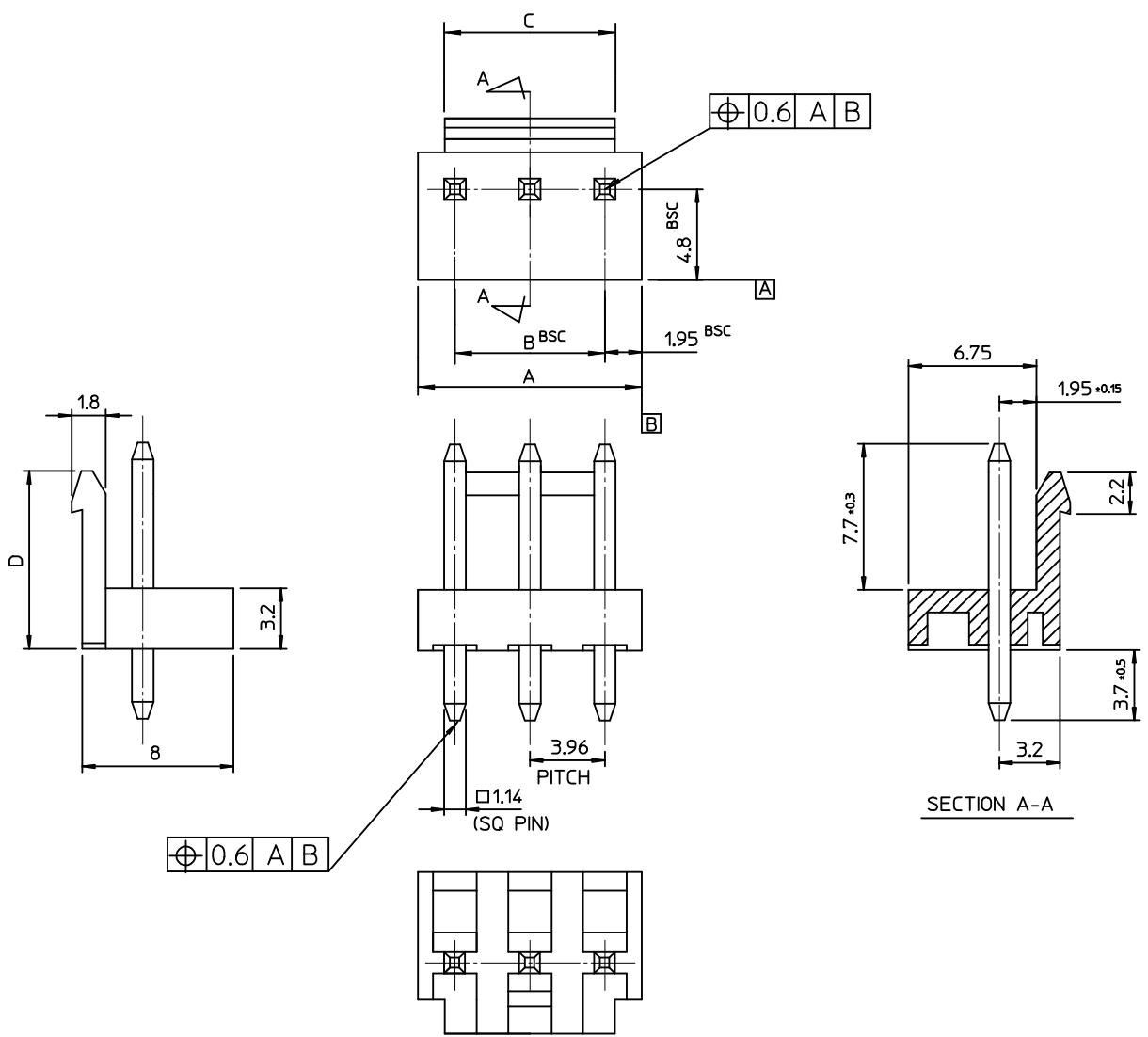
PS-35978-001

Sales Drawing

SD-35978-001

This document was generated on 06/07/2010

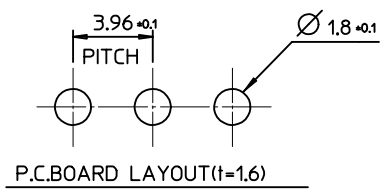
PLEASE CHECK WWW.MOLEX.COM FOR LATEST PART INFORMATION



NOTES
 1. MATERIAL : HEADER : PA66, ①PC/PET
 PIN : BRASS(CDA 2700)
 2. FINISHES : PIN
 THICKNESS - TIN PLATED 3.0 MICROMETER MIN.
 OVER Cu 1.5 MICROMETER MIN.
 3. PRODUCT SPECIFICATION : PS-35978-001

LEGEND
 35978-****
 COLOR : 0 - WHITE
 1 - BLACK
 2 - RED
 3 - YELLOW
 4 - BLUE
 MATERIAL 1 : PA66 ①3 : PC/PET
 CURCUIT NO. (02,03,04...)

9.4	56.50	55.44	59.40	3597815**	35978-15**	15
	52.54	51.48	55.44	3597814**	-14**	14
	48.58	47.52	51.48	3597813**	-13**	13
	44.62	43.56	47.52	3597812**	-12**	12
9.7	40.66	39.60	43.56	3597811**	-11**	11
	36.70	35.64	39.60	3597810**	-10**	10
	32.74	31.68	35.64	3597809**	-09**	9
	28.78	27.72	31.68	3597808**	-08**	8
	24.84	23.76	27.72	3597807**	-07**	7
	20.86	19.80	23.76	3597806**	-06**	6
	16.90	15.84	19.80	3597805**	-05**	5
	12.94	11.88	15.84	3597804**	-04**	4
	8.98	7.92	11.88	3597803**	-03**	3
	5.02	3.96	7.92	3597802**	-02**	2
D	C	B	A	MAT'L NO	ENG NO.	CURCUITS



REVISED ECT NO: KOR2009-0137 DRWN: JHPARK01 2009/05/21 CHKD: WY. YANG 2009/05/21 APPR: YUNS.IKK.LM 2009/05/22	QUALITY SYMBOLS ▽=0 ◻=0	GENERAL TOLERANCES (UNLESS SPECIFIED) mm INCH 4 PLACES ± --- ± --- 3 PLACES ± --- ± --- 2 PLACES ± --- ± --- 1 PLACE ± 0.30 ± --- ANGULAR ± 2 °	DIMENSION STYLE MM ONLY	SCALE 4:1	DESIGN UNITS METRIC	THIRD ANGLE PROJECTION
	DESCRIPTION	DRAFT WHERE APPLICABLE MUST REMAIN WITHIN DIMENSIONS	DRAWN BY Y.R.WI DATE 1999/05/07	TITLE 3.96 W/B HEADER ASSY		
	REV	APPROVED BY C.W.LEE DATE 1999/05/07	MATERIAL NO. SEE TABLE	MOLEX INCORPORATED		SHEET NO. 1 OF 01
		SIZE A3	THIS DRAWING CONTAINS INFORMATION THAT IS PROPRIETARY TO MOLEX INCORPORATED AND SHOULD NOT BE USED WITHOUT WRITTEN PERMISSION			