

PLEASE CHECK WWW.MOLEX.COM FOR LATEST PART INFORMATION

Part Number: [0532901571](#)
Status: **Planned for Obsolescence**
Description: 2.00mm (.079") Pitch Board-to-Board Header, Vertical, Single Row, 0.50mm (.020") Square Pin, with Friction Lock, Lead-free, 15 Circuits, without Kinked PC Tails, Tube Package

Documents:

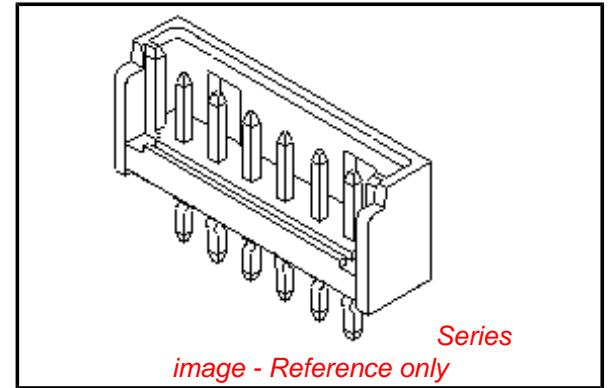
[3D Model](#) [Product Specification PS-52418-003 \(PDF\)](#)
[Drawing \(PDF\)](#) [RoHS Certificate of Compliance \(PDF\)](#)

General

Product Family	PCB Headers
Series	53290
Application	Board-to-Board
Product Name	N/A

Physical

Breakaway	No
Circuits (Loaded)	15
Circuits (maximum)	15
Color - Resin	Natural
Durability (mating cycles max)	30
First Mate / Last Break	No
Glow-Wire Compliant	No
Guide to Mating Part	No
Keying to Mating Part	None
Lock to Mating Part	Yes
Mated Height (in)	0.236 In
Mated Height (mm)	6.00 mm
Material - Metal	Brass
Material - Plating Mating	Tin
Material - Plating Termination	Tin
Material - Resin	Polyester
Number of Rows	1
Orientation	Vertical
PC Tail Length (in)	0.126 In
PC Tail Length (mm)	3.20 mm
PCB Locator	No
PCB Retention	None
PCB Thickness Recommended (in)	0.062 In
PCB Thickness Recommended (mm)	1.60 mm
Packaging Type	Tube
Pitch - Mating Interface (in)	0.079 In
Pitch - Mating Interface (mm)	2.00 mm
Plating min: Mating (µin)	40
Plating min: Mating (µm)	1.00
Plating min: Termination (µin)	40
Plating min: Termination (µm)	1.00
Polarized to Mating Part	Yes
Polarized to PCB	No
Shrouded	Partial
Stackable	No
Surface Mount Compatible (SMC)	No
Temperature Range - Operating	-40°C to +105°C
Termination Interface: Style	Through Hole



EU RoHS

ELV and RoHS Compliant
REACH SVHC Contains SVHC: No
Halogen-Free Status
Not Reviewed

China RoHS



Need more information on product environmental compliance?

Email productcompliance@molex.com
 For a multiple part number RoHS Certificate of Compliance, [click here](#)

Please visit the [Contact Us](#) section for any non-product compliance questions.

Search Parts in this Series

[53290Series](#)

Mates With

[52418 PCB Receptacle](#)

Electrical

Current - Maximum per Contact

1.5A

Voltage - Maximum

125V

Material Info**Reference - Drawing Numbers**

Product Specification

PS-52418-003, RPS-52418-004

Sales Drawing

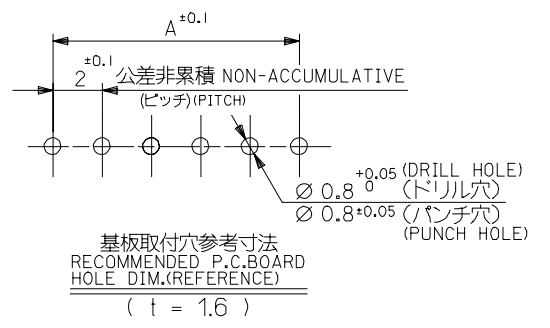
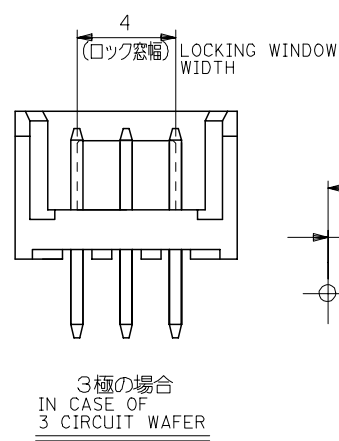
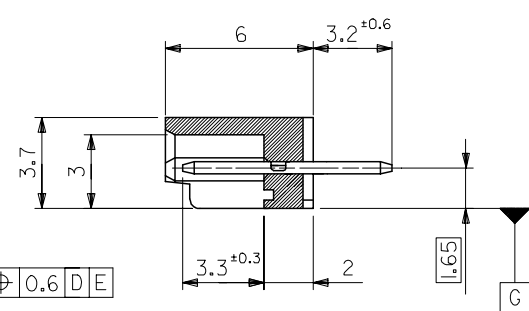
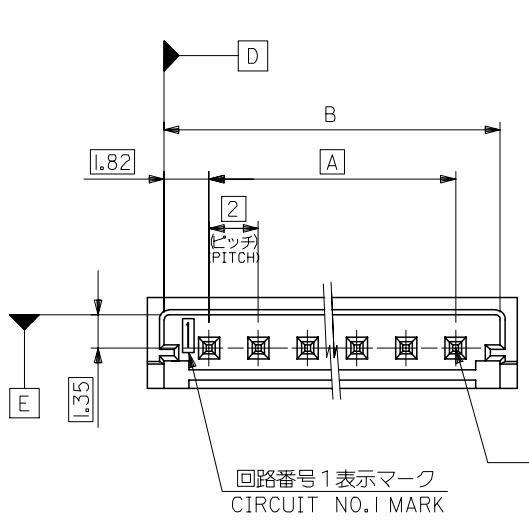
SD-53290-006, SD-53290-007

This document was generated on 06/01/2010

PLEASE CHECK WWW.MOLEX.COM FOR LATEST PART INFORMATION

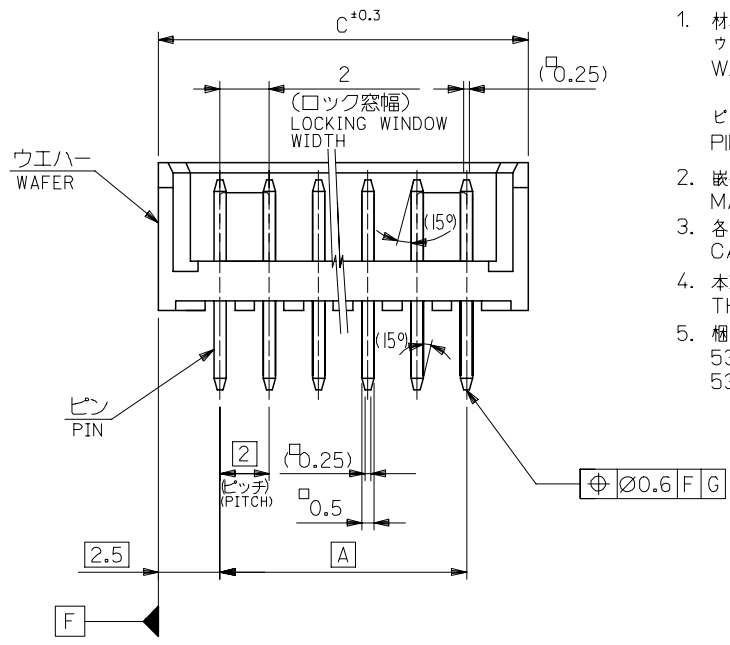
10 9 8 7 6 5 4 3 2 1

F E D C B A



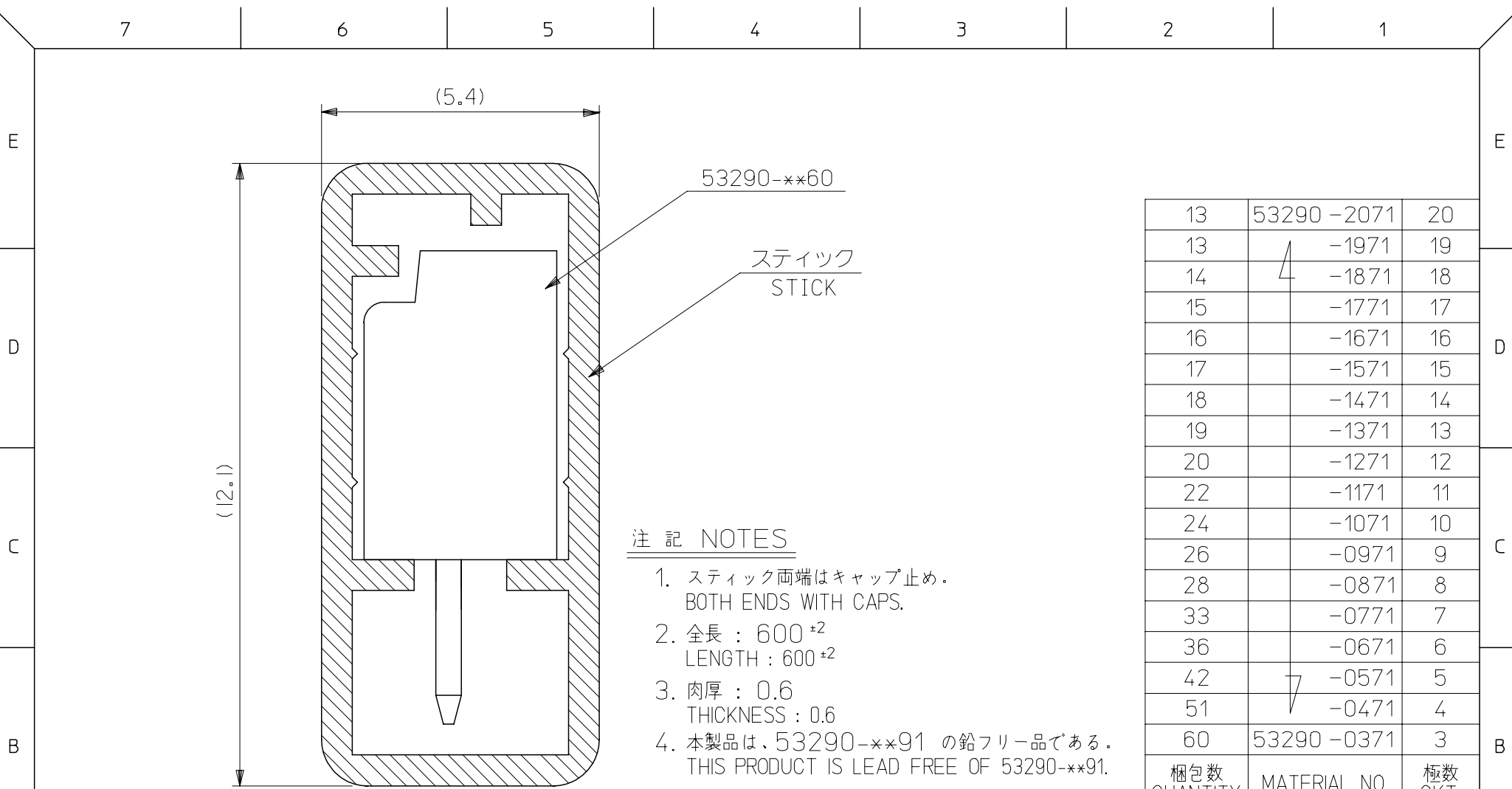
注記 NOTES

1. 材料 MATERIAL
ウエハー: PBT (ガラス 15% 入り)
WAFER G.F. 15%
UL94V-0
ピン : 黄銅, 錫メッキ
PIN : BRASS, TIN
2. 嵌合相手 : 52418 シリーズ
MATE WITH : 52418 SERIES
3. 各部のソリは 0.2MAX.
CAMBER : 0.2MAX.
4. 本製品は、53290-**20 の鉛フリー品である。
THIS PRODUCT IS LEAD FREE OF 53290-**20.
5. 梱包仕様 PACKAGING
53290-**60 トレー TRAY
53290-**50 ポリ袋 POLYBAG



43	41.64	38	53290-2050	53290-2060	20
41	39.64	36	-1950	-1960	19
39	37.64	34	-1850	-1860	18
37	35.64	32	-1750	-1760	17
35	33.64	30	-1650	-1660	16
33	31.64	28	-1550	-1560	15
31	29.64	26	-1450	-1460	14
29	27.64	24	-1350	-1360	13
27	25.64	22	-1250	-1260	12
25	23.64	20	-1150	-1160	11
23	21.64	18	-1050	-1060	10
21	19.64	16	-0950	-0960	9
19	17.64	14	-0850	-0860	8
17	15.64	12	-0750	-0760	7
15	13.64	10	-0650	-0660	6
13	11.64	8	-0550	-0560	5
11	9.64	6	-0450	-0460	4
9	7.64	4	53290-0350	53290-0360	3
C	B	A	MATERIAL NO.	MATERIAL NO.	極数 CKT

REVISED EC No: J2005-2460 DRAWN: NAIDA CHKD: KTOJO APPR: NUKITA 2005/02/25 2005/02/28 2005/03/07	GENERAL TOLERANCES (UNLESS SPECIFIED)		DIMENSION STYLE MM ONLY		SCALE ---	DESIGN UNITS METRIC	THIRD ANGLE PROJECTION		
	10 UNDER ±0.2 10 OVER 30 UNDER ±0.25 30 OVER ±0.3	DRAWN BY J. SASAMO DATE 2004/8/20		TITLE 2.0 BOARD TO BOARD CONN. WAFER ASS'Y -LEAD FREE-		MOLEX INCORPORATED DOCUMENT NO. SD-53290-006 SHEET NO. 1 OF 1			
	ANGULAR ±3 ° DRAFT WHERE APPLICABLE MUST REMAIN WITHIN DIMENSIONS	APPROVED BY N. UKITA DATE 2004/8/20		SEE CHART					
	SIZE A3	THIS DRAWING CONTAINS INFORMATION THAT IS PROPRIETARY TO MOLEX INCORPORATED AND SHOULD NOT BE USED WITHOUT WRITTEN PERMISSION							



注記 NOTES

1. スティック両端はキャップ止め。
BOTH ENDS WITH CAPS.
2. 全長 : 600 ±2
LENGTH : 600 ±2
3. 肉厚 : 0.6
THICKNESS : 0.6
4. 本製品は、53290-**91 の鉛フリー品である。
THIS PRODUCT IS LEAD FREE OF 53290-**91.

梱包数 QUANTITY	MATERIAL NO.	極数 CKT.
13	53290 -2071	20
13	-1971	19
14	-1871	18
15	-1771	17
16	-1671	16
17	-1571	15
18	-1471	14
19	-1371	13
20	-1271	12
22	-1171	11
24	-1071	10
26	-0971	9
28	-0871	8
33	-0771	7
36	-0671	6
42	-0571	5
51	-0471	4
60	53290 -0371	3

MATERIAL
スティック : ポリ塩化ビニル
STICK : PVC

REVISED EC NO: J2005-2021 DRWN: JHOSOKAWA 2005/01/18 CHKD: KTOJO 2005/01/27 APPR: NUKITA 2005/01/27	DESCRIPTION	GENERAL TOLERANCES (UNLESS SPECIFIED)		DIMENSION STYLE MM ONLY		SCALE ---	DESIGN UNITS METRIC	THIRD ANGLE PROJECTION	
		10 UNDER	±---	DRAWN BY J.SASAMO	DATE 2004/8/20	TITLE STICK PACKAGING FOR 53290-**60 -LEAD FREE-			
		10 OVER 30 UNDER	±---	CHECKED BY K.TOJO	DATE 2004/8/20				
		30 OVER	±---	APPROVED BY N.UKITA	DATE 2004/8/20	MOLEX INCORPORATED			
		ANGULAR	±--- °	MATERIAL NO. 53290-**71	DOCUMENT NO. SD-53290-007				
REV		DRAFT WHERE APPLICABLE MUST REMAIN WITHIN DIMENSIONS		THIS DRAWING CONTAINS INFORMATION THAT IS PROPRIETARY TO MOLEX INCORPORATED AND SHOULD NOT BE USED WITHOUT WRITTEN PERMISSION					