

PLEASE CHECK WWW.MOLEX.COM FOR LATEST PART INFORMATION

Part Number: **0532901380**
Status: **Active**
Description: 2.00mm (.079") Pitch Board-to-Board Header, Vertical, Single Row, 0.50mm (.020") Square Pin, with Friction Lock, Lead-free, 13 Circuits, with Kinked PC Tails

Documents:

[3D Model](#) [Product Specification PS-52418-003 \(PDF\)](#)
[Drawing \(PDF\)](#) [RoHS Certificate of Compliance \(PDF\)](#)

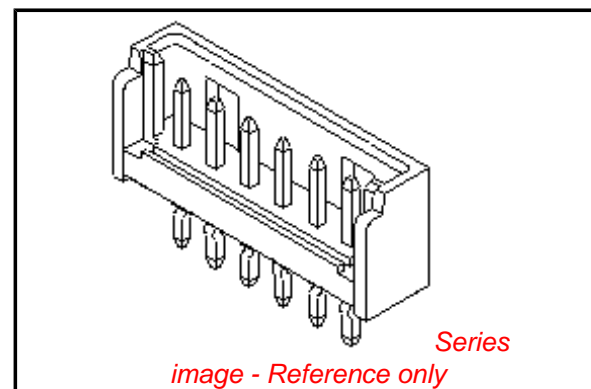
General

Product Family PCB Headers
 Series [53290](#)
 Application Board-to-Board
 Product Name N/A

Physical

Breakaway No
 Circuits (Loaded) 13
 Circuits (maximum) 13
 Color - Resin Natural
 Durability (mating cycles max) 30
 First Mate / Last Break No
 Glow-Wire Compliant No
 Guide to Mating Part No
 Keying to Mating Part None
 Lock to Mating Part Yes
 Mated Height (in) 0.236 In
 Mated Height (mm) 6.00 mm
 Material - Metal Brass
 Material - Plating Mating Tin
 Material - Plating Termination Tin
 Material - Resin Polyester
 Number of Rows 1
 Orientation Vertical
 PC Tail Length (in) 0.126 In
 PC Tail Length (mm) 3.20 mm
 PCB Locator No
 PCB Retention Yes
 PCB Thickness Recommended (in) 0.062 In
 PCB Thickness Recommended (mm) 1.60 mm
 Packaging Type Tray
 Pitch - Mating Interface (in) 0.079 In
 Pitch - Mating Interface (mm) 2.00 mm
 Plating min: Mating (µin) 40
 Plating min: Mating (µm) 1.00
 Plating min: Termination (µin) 40
 Plating min: Termination (µm) 1.00
 Polarized to Mating Part Yes
 Polarized to PCB No
 Shrouded Partial
 Stackable No
 Surface Mount Compatible (SMC) No
 Temperature Range - Operating -40°C to +105°C
 Termination Interface: Style Through Hole

Electrical



EU RoHS

ELV and RoHS Compliant
REACH SVHC
 Not Reviewed
Halogen-Free Status
Not Reviewed

China RoHS



Need more information on product environmental compliance?

Email productcompliance@molex.com
 For a multiple part number RoHS Certificate of Compliance, [click here](#)

Please visit the [Contact Us](#) section for any non-product compliance questions.

Search Parts in this Series

[53290Series](#)

Mates With

[52418 PCB Receptacle](#)

Current - Maximum per Contact	1.5A
Voltage - Maximum	125V

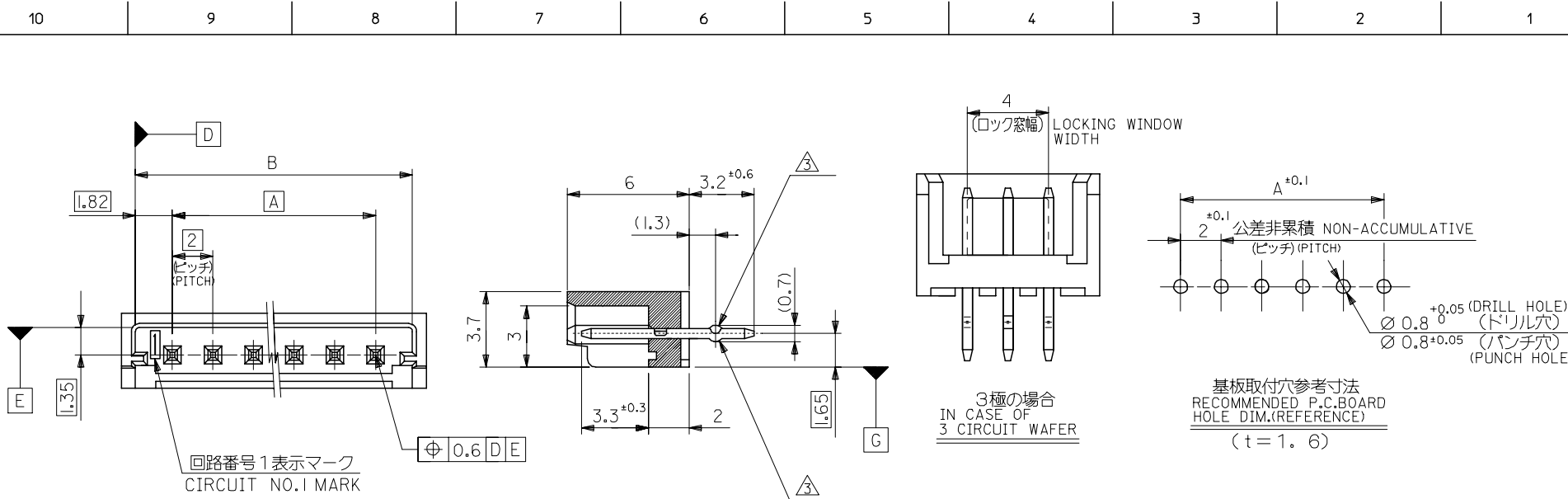
Material Info

Reference - Drawing Numbers

Product Specification	PS-52418-003, RPS-52418-004
Sales Drawing	SD-53290-004

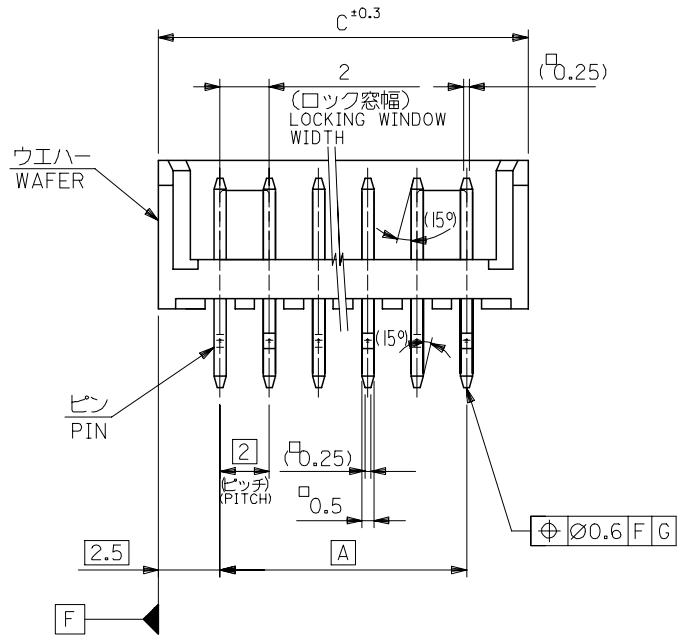
This document was generated on 04/16/2010

PLEASE CHECK WWW.MOLEX.COM FOR LATEST PART INFORMATION



注記 NOTES

1. 材料 MATERIAL
 ウエハー: PBT (ガラス 15% 入り)
 WAFER: G.F. 15%
 UL94V-0
 ビン: 黄銅, 錫メッキ
 PIN: BRASS, TIN
2. 嵌合相手: 52418 シリーズ
 MATE WITH: 52418 SERIES
3. キンクは全ピンに交互に付加.
 SET KINK ALTERNATELY TO ALL PIN.
4. 各部のソリは 0.2MAX.
 CAMBER: 0.2MAX.
5. 本製品は、53290-**10 の鉛フリー品である。
 THIS PRODUCT IS LEAD FREE OF 53290-**10.
6. 梱包仕様 PACKAGING
 53290-**8* トレー TRAY
 53290-**4* ポリ袋 POLYBAG



REVISED EC NO: J2005-2460 DRAWN: NAIDA CHKD: KTOJO APPR: NUKITA 2005/02/25 2005/02/28 2005/03/07	GENERAL TOLERANCES (UNLESS SPECIFIED)		DIMENSION STYLE MM ONLY		SCALE ---	DESIGN UNITS METRIC	THIRD ANGLE PROJECTION
	10 UNDER	±0.2	DRAWN BY J. SASAMO		DATE 2004/8/20	TITLE 2.0 BOARD TO BOARD CONN. WAFER ASS'Y -LEAD FREE-	
	10 OVER 30 UNDER	±0.25	CHECKED BY K. TOJO		DATE 2004/8/20	MOLEX INCORPORATED	
	30 OVER	±0.3	APPROVED BY N. UKITA		DATE 2004/8/20	DOCUMENT NO. SD-53290-004	
ANGULAR ±3 °		DRAFT WHERE APPLICABLE MUST REMAIN WITHIN DIMENSIONS		MATERIAL NO. SEE CHART		SHEET NO. 1 OF 2	
SIZE A3 THIS DRAWING CONTAINS INFORMATION THAT IS PROPRIETARY TO MOLEX INCORPORATED AND SHOULD NOT BE USED WITHOUT WRITTEN PERMISSION							

10 9 8 7 6 5 4 3 2 1

F

F

E

E

D

D

C

C

B

B

A

A

43	41.64	38	53290-2041	53290-2081	53290-2040	53290-2080	20
41	39.64	36	-1941	-1981	-1940	-1980	19
39	37.64	34	-1841	-1881	-1840	-1880	18
37	35.64	32	-1741	-1781	-1740	-1780	17
35	33.64	30	-1641	-1681	-1640	-1680	16
33	31.64	28	-1541	-1581	-1540	-1580	15
31	29.64	26	-1441	-1481	-1440	-1480	14
29	27.64	24	-1341	-1381	-1340	-1380	13
27	25.64	22	-1241	-1281	-1240	-1280	12
25	23.64	20	-1141	-1181	-1140	-1180	11
23	21.64	18	-1041	-1081	-1040	-1080	10
21	19.64	16	-0941	-0981	-0940	-0980	9
19	17.64	14	-0841	-0881	-0840	-0880	8
17	15.64	12	-0741	-0781	-0740	-0780	7
15	13.64	10	-0641	-0681	-0640	-0680	6
13	11.64	8	-0541	-0581	-0540	-0580	5
11	9.64	6	-0441	-0481	-0440	-0480	4
9	7.64	4	53290-0341	53290-0381	53290-0340	53290-0380	3
C	B	A	MATERIAL NO. COLOR : BLACK 色 : 黒		MATERIAL NO. COLOR : NATURAL (WHITE) 色 : ナチュラル(白)		極数 CKT.

REVISED EC NO: J2005-2460 DRAWN: NAIDA 2005/02/25 CHKD: KTOJO 2005/02/28 APPR: NUKITA 2005/03/07	GENERAL TOLERANCES (UNLESS SPECIFIED)		DIMENSION STYLE MM ONLY	SCALE ---	DESIGN UNITS METRIC	THIRD ANGLE PROJECTION	
	10 UNDER	±0.2	DRAWN BY J. SASAMO	DATE 2004/8/20	TITLE 2.0 BOARD TO BOARD CONN. WAFER ASS'Y -LEAD FREE-		
	10 OVER 30 UNDER	±0.25	CHECKED BY K. TOJO	DATE 2004/8/20			
	30 OVER	±0.3	APPROVED BY N. UKITA	DATE 2004/8/20	MOLEX INCORPORATED DOCUMENT NO. SD-53290-004		
	ANGULAR	±3 °	MATERIAL NO.	DATE			
DRAFT WHERE APPLICABLE MUST REMAIN WITHIN DIMENSIONS		SIZE A3	THIS DRAWING CONTAINS INFORMATION THAT IS PROPRIETARY TO MOLEX INCORPORATED AND SHOULD NOT BE USED WITHOUT WRITTEN PERMISSION		SHEET NO. 2 OF 2		