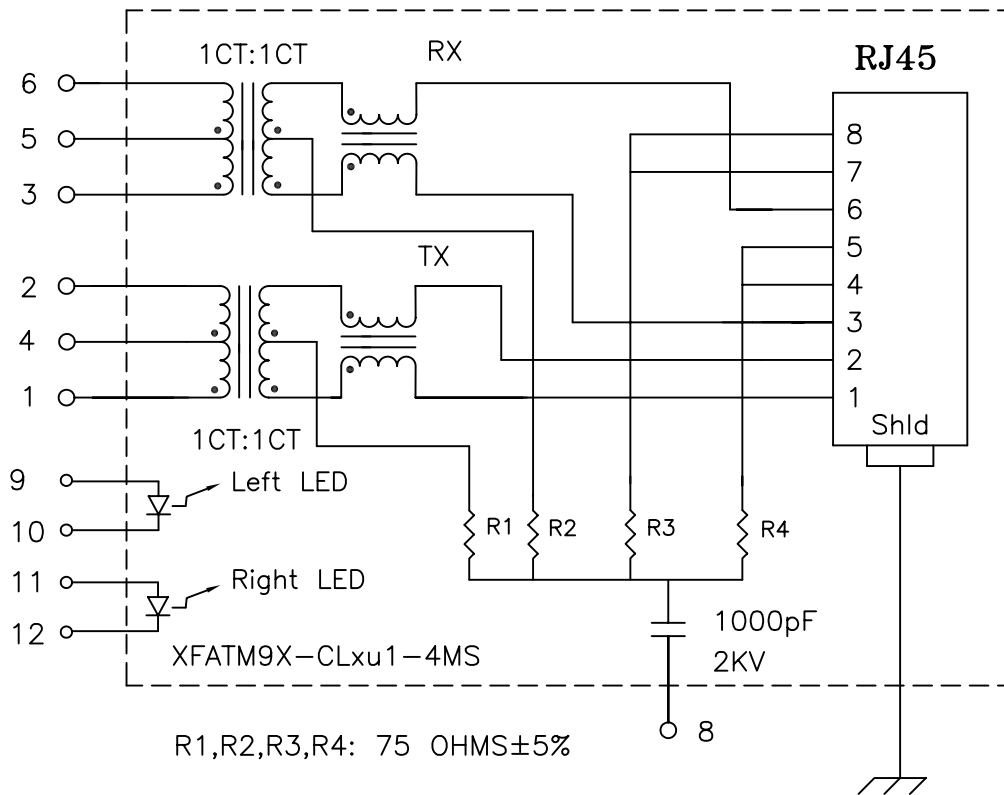


1. Schematic:



2. Electrical Specifications: @25°C

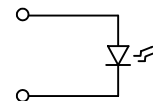
- Isolation Voltage: 1500 Vrms (Input to Output)
- Isolation Voltage: 500 Vrms (P1+2+4 to P3+5+6)
- Turns Ratio: TX 1CT:1CT ±3% RX 1CT:1CT ±3%
- CABLE SIDE OCL: 350uH Minimum @100KHz 100mV 8mADC
- Cw/w: 27pF Typical @100KHz 100mV
- Insertion Loss (300KHz-100MHz): -1.0dB Maximum
- Return Loss: @30MHz -18dB Minimum
- @80MHz -12dB Minimum

Complete the Combo P/N as follows:

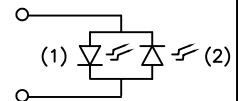
Replace 'x' & 'u' in the part number with one of the LED color letters:

- Y=Yellow
- G=Green
- A=Amber
- R=Red
- N=Yellow(1)/Green(2) Bicolor
- M=Green(1)/Yellow(2) Bicolor
- 'x' = Left LED Color
- 'u' = Right LED Color

Single Color LED:



Bi-Color LED:



Notes:

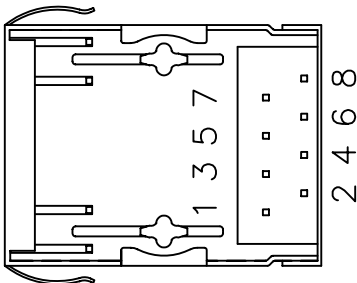
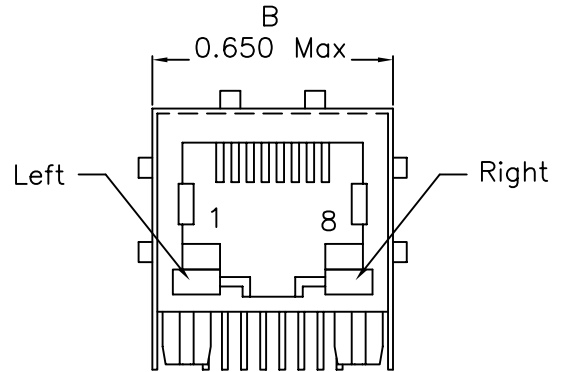
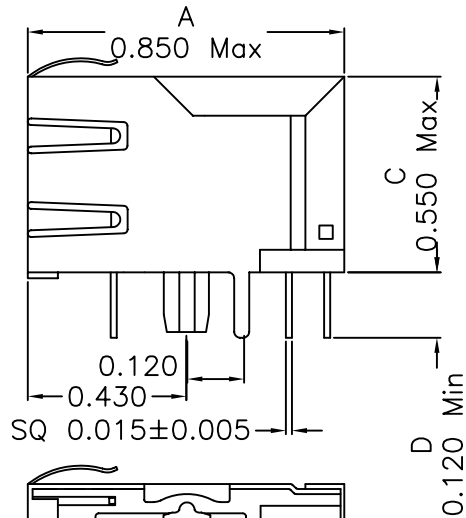
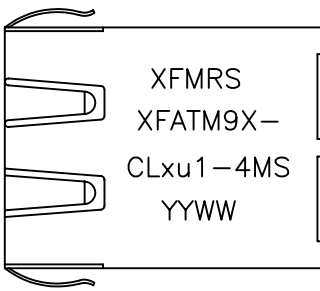
1. Solderability: Leads shall meet MIL-STD-202, Method 208D for solderability.
 2. Flammability: UL94V-0
 3. ASTM oxygen index: > 28%
 4. Insulation System: Class F 155°C. UL file E151556
 5. Operating Temperature Range: All listed parameters are to be within tolerance from -40°C to +85°C
 6. Storage Temperature Range: -55°C to +125°C
 7. Aqueous wash compatible
- DOC. REV: A/4

PROPRIETARY:

Document is the property of XFMRs Group & is not allowed to be duplicated without authorization.

XFMRs Inc.	Title: SINGLE PORT COMBO			
UNLESS OTHERWISE SPECIFIED TOLERANCES: .xxx ±0.010 Dimensions in Inch	P/N: XFATM9X-CLxu1-4MS	REV. A		
	DWN.	罗振江	Apr-01-04	
	CHK.	廖玉坤	Apr-01-04	
SHEET 1 OF 2	APP.	MS	Apr-01-04	

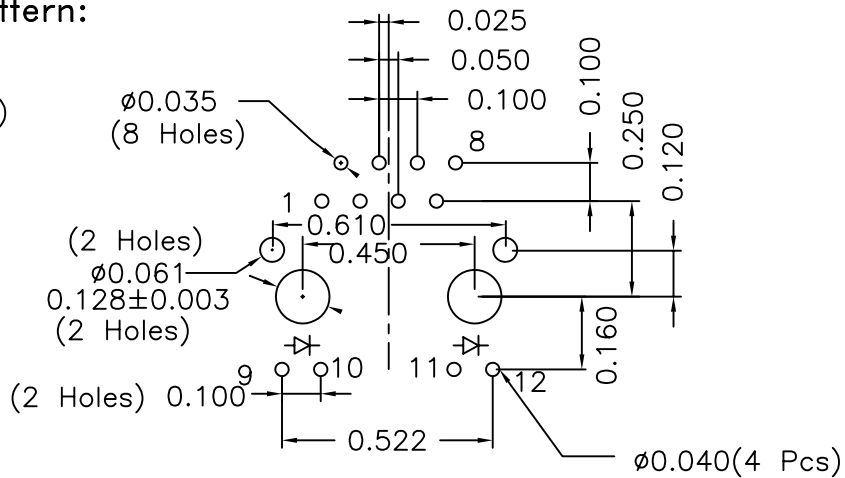
3. Mechanical Dimensions:



(BOTTOM VIEW)

Mounting Pattern:

(COMP SIDE)



DOC. REV: A/4

PROPRIETARY:

Document is the property of XFMR5 Group & is not allowed to be duplicated without authorization.

XFMR5 Inc.		Title: Mechanical Dimensions For CLxu1-4MS Series		
UNLESS OTHERWISE SPECIFIED TOLERANCES: .xxx ±0.010 Dimensions in Inch	P/N: XFATM9X-CLxu1-4MS	REV. A		
	DWN.	罗振江	Apr-01-04	
SHEET 2 OF 2	CHK.	廖玉坤	Apr-01-04	
	APP.	MS	Apr-01-04	