

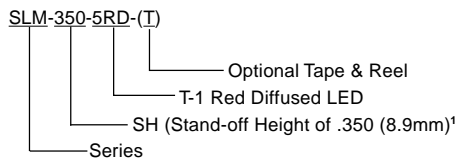
Molded Vertical T-1¾ (5mm)

- Over 2,000 Available Combinations!
- High Temperature Characteristics
- Optional Locator Pin And Light Shield
- Available On Tape & Reel



PART NO.	COLOR	PEAK (nm)	TYP VF	TYP IF	TYP mcd
SLM-X-XXX-5RD	RED	650	1.7	20mA	15.0
SLM-X-XXX-5GD	GREEN	565	2.1	20mA	15.0
SLM-X-XXX-5YD	YELLOW	585	2.2	20mA	18.0
SLM-X-XXX-5SRD	SUPER RED	660	1.8	20mA	50.0
SLM-X-XXX-5HD	HE RED	635	1.8	20mA	30.0
LOW CURRENT					
SLM-X-XXX-5HDL	HE RED	635	1.8	2mA	7.5
SLM-X-XXX-5GDL	GREEN	565	1.8	2mA	8.0
SLM-X-XXX-5YDL	YELLOW	585	1.8	2mA	7.5
5 VOLT					
SLM-X-XXX-5HD5V	HE RED	635	5.0	10mA	28.0
SLM-X-XXX-5GD5V	GREEN	565	5.0	10mA	28.0
SLM-X-XXX-5YD5V	YELLOW	585	5.0	10mA	21.0

EXAMPLES:

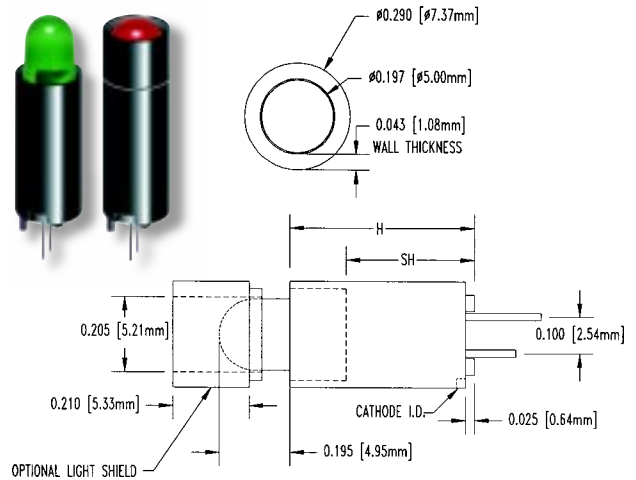


94V-0
U.L. RATED MATERIALS

¹ Refer to page 47 for further information on stand-off heights and the Optional Light Shield (LS-1)

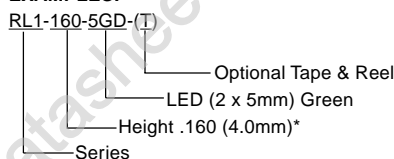
SLM SERIES

T-1¾ (5mm) Variable Height Stand-Off (Optional Light Shield)



PART NO.	COLOR	PEAK (nm)	TYP VF	TYP IF	TYP mcd
2 X 4mm					
RL1-4RD	HE RED	650	1.7	10mA	1.5
RL1-4GD	GREEN	565	2.2	10mA	3.0
RL1-4YD	YELLOW	585	2.1	10mA	3.5
RL1-4BC	RED/GREEN	635/565	2.0	10mA	4.8
2 x 5mm					
RL1-5RD	RED	660	1.7	10mA	1.5
RL1-5GD	GREEN	565	2.2	10mA	3.0
RL1-5YD	YELLOW	585	2.1	10mA	3.0
RL1-5BC	RED/GREEN	635/565	2.0	10mA	4.5

EXAMPLES:



94V-0
U.L. RATED MATERIALS

*Available lengths range from .060"-.210" increments. For additional specifications and ordering information refer to pages 38, 39 and 51.

RL1 SERIES

Rectangular LED Assembly

