

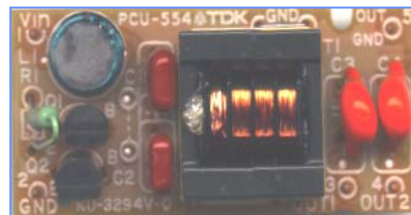
DC-AC INVERTER UNIT

CXA-L10A (4.5W DUAL OUTPUTS, PCB MOUNTABLE TYPE)

(STANDARD)

DESCRIPTION :

TDK DC/AC Inverter, CXA-series, are low-noise, high frequency power sources developed for driving Cold Cathode Fluorescent Lamps operating at 20~80 kHz. These inverters are designed to handle a wide range of lamp characteristics.



FEATURES :

Constant current output ensures compatibility with a wide range of discharge lamps.

High efficiency resonant circuitry produces low-noise, sinusoidal-wave output.

One-lamp/two-lamp combined-use capability allows use in four different configurations.

Common ground or floating bulb configurations.

Compact size and light weight facilitate PC board mounting.

High Efficiency (80%)

Fuse protection

TEMPERATURE & HUMIDITY :

Operating Temperature Range -10 ° C ~ +60° C

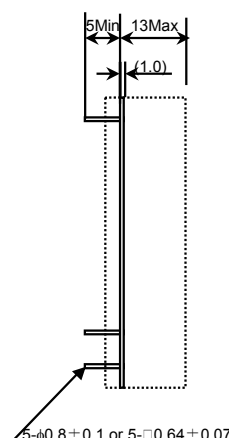
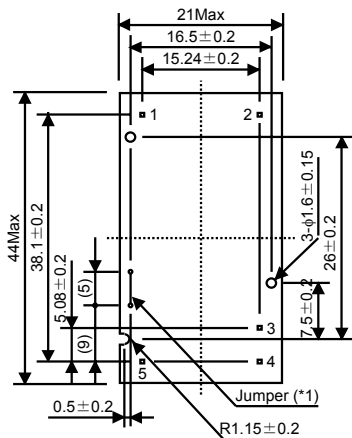
Storage Temperature Range -20 ° C ~ +85° C

Humidity 95 %RH max (No dew)

DIMENSIONS :

(Bottom View)

(Side View)



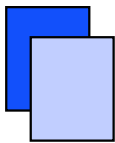
Unit : mm
Weight : 11.2 (g) typ.

*1 Remove for Isolated Ground

Power Systems – The Power Solution

Web: www.Power-Systems.de
Email: Info@Power-Systems.de

Address: Dörnet 8 ; 74360 Ilfeld-Auenstein / Germany
Tel. : + 49 / 70 62 / 67 59 - 6
Fax: + 49 / 70 62 / 67 59 - 80



DC-AC INVERTER UNIT

CXA-L10A (4.5W DUAL OUTPUTS, PCB MOUNTABLE TYPE)

(STANDARD)

CONNECTOR CONFIGURATION:

Pin No.	Symbols	Ratings
1	Vin	5V
2	GND	0V
3	OUT1	300Vrms
4	OUT2	300Vrms
5	OUT GND	0V

ABSOLUTE MAXIMUM RATINGS:

Items	Symbols	Specification	Unit
Input Voltage	Vin	0~6.0	VDC
Output Power	Pout	4.5	W

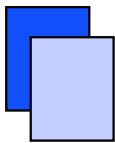
ELECTRICAL CHARACTERISTICS:

Items	Symbols	Conditions			Specification			Unit	Connection
		Vin [V]	Ta [°C]	RL [K □]	Min.	Typ.	Max.		
Output Current	Iout	5±0.05	23±5	30	9	10	11	mArms	1
		5±0.25	-10~60	23~37	8	10	12		
Input Current	Iin	5±0.25	-10~60	23~37	-	800	1200	mA DC	
Frequency	F	5±0.25	-10~60	23~37	25	30	35	kHz	
Open Circuit Voltage	Vopen	5±0.25	-10~60	∞	800	900	-	Vrms	
Output Current	Iout	5±0.05	23±5	50	5.2	6	6.6	mArms	2
		5±0.25	-10~60	38~62	4.6	6	7.2		
Input Current	Iin	5±0.25	-10~60	38~62	-	510	770	mA DC	
Frequency	F	5±0.25	-10~60	38~62	30	35	40	kHz	
Open Circuit Voltage	Vopen	5±0.25	-10~60	∞	800	900	-	Vrms	
Output Current	Iout	5±0.05	23±5	60	4.5	5	5.6	mArms	3
		5±0.25	-10~60	45~75	4.0	5	6.1		
Input Current	Iin	5±0.25	-10~60	45~75	-	450	680	mA DC	
Frequency	F	5±0.25	-10~60	45~75	25	30	35	kHz	
Open Circuit Voltage	Vopen	5±0.25	-10~60	∞	800	900	-	Vrms	
Output Current	Iout1 / Iout2	5±0.05	23±5	60	4.5/4.5	5/5	5.5/5.5	mArms	4
		5±0.25	-10~60	45~75	4/4	5/5	6/6		
Input Current	Iin	5±0.25	-10~60	45~75	-	800	1200	mA DC	
Frequency	F	5±0.25	-10~60	45~75	25	30	35	kHz	
Open Circuit Voltage	Vopen	5±0.25	-10~60	∞	800	900	-	Vrms	

Power Systems – The Power Solution

Web: www.Power-Systems.de
 Email: Info@Power-Systems.de

Address: Dörnet 8 ; 74360 Ilfeld-Auenstein / Germany
 Tel. : + 49 / 70 62 / 67 59 - 6
 Fax: + 49 / 70 62 / 67 59 - 80

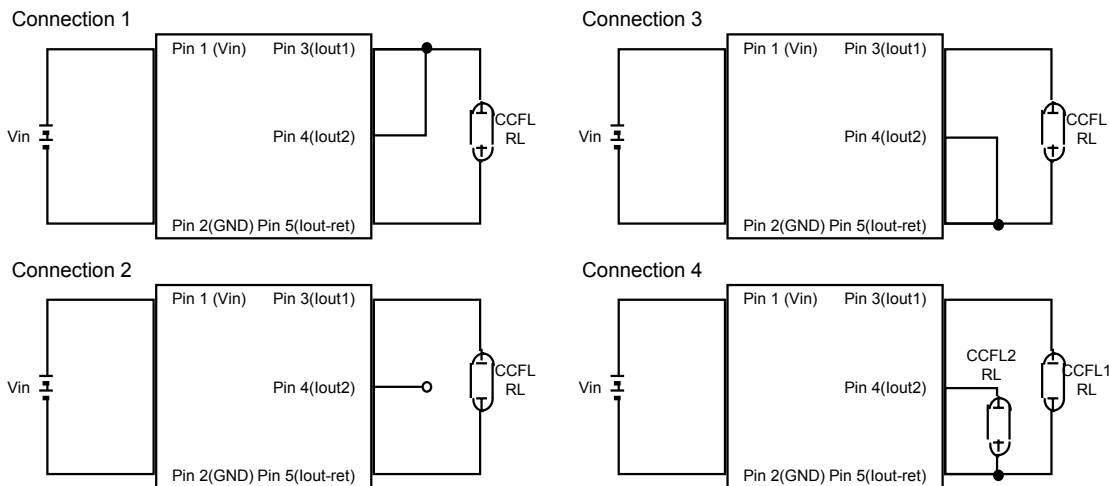


DC-AC INVERTER UNIT

CXA-L10A (4.5W DUAL OUTPUTS, PCB MOUNTABLE TYPE)

(STANDARD)

APPLICATION:

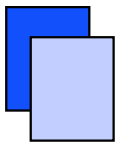


- Note 1. For circuit connection, please refer to test circuit diagram.
- Note 2. Please use minimum of 2mm clearance (all directions) between inverter high voltage area and any conductors. Please refer to mechanical drawing for marking of high voltage area.
- Note 3. Open voltage (strike voltage) is measured across the transformer secondary winding at no load as the reading at the output connector would be less than the actual value.
- Note 4. If the start up voltage falls below Cold Cathode Tube strike voltage, the CCFL will not light up easily specially at lower ambient temperature. Please review mounting instruction to avoid any abnormal operation due to coupling/leakage capacitance of inverter high voltage area to any surrounding conductor.
- Note 5. For operation in floating mode, please remove jumper (J1) on top side of PCB that pin2 and pin5.
- Note 6. To prevent electrical discharge from high voltage area, please use non-conductive fastener in U mounting hole.

Power Systems – The Power Solution

Web: www.Power-Systems.de
 Email: Info@Power-Systems.de

Address: Dörnet 8 ; 74360 Ilfeld-Auenstein / Germany
 Tel. : + 49 / 70 62 / 67 59 - 6
 Fax: + 49 / 70 62 / 67 59 - 80



DC-AC INVERTER UNIT

CXA-L10A (4.5W DUAL OUTPUTS, PCB MOUNTABLE TYPE)

(STANDARD)

TEST CIRCUIT:

Connection	Test circuit	Notes
1		Short of OUT1,OUT2
2		Open of OUT2
3		Short of OUT2,OUT GND
4		

Power Systems – The Power Solution

Web: www.Power-Systems.de
 Email: Info@Power-Systems.de

Address: Dörnet 8 ; 74360 Ilfeld-Auenstein / Germany
 Tel. : + 49 / 70 62 / 67 59 - 6
 Fax: + 49 / 70 62 / 67 59 - 80