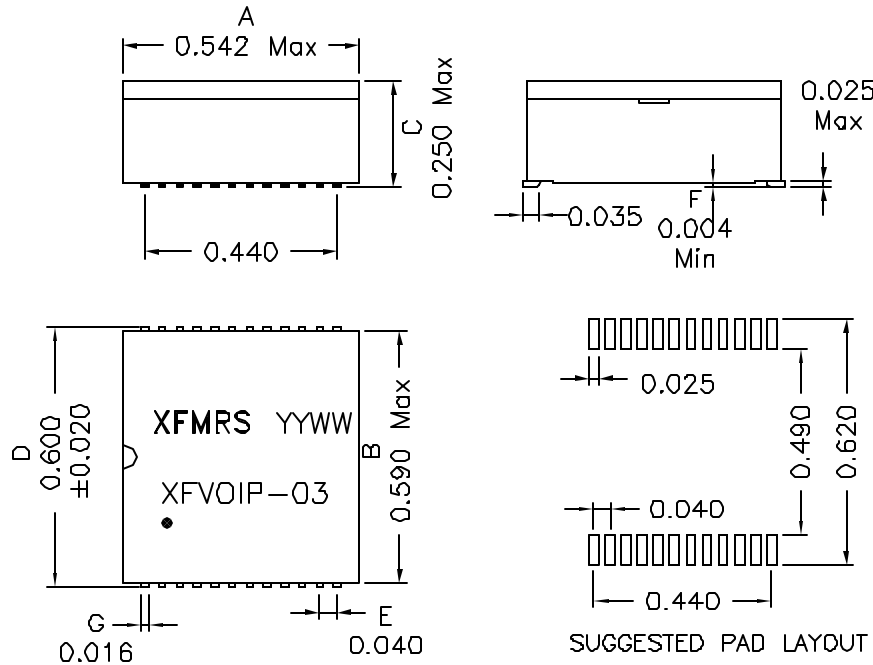
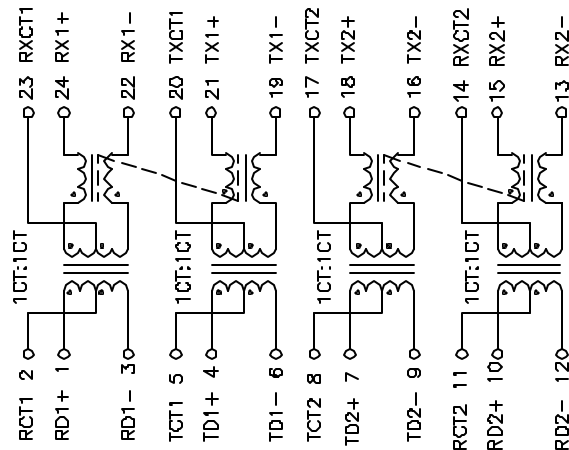


1. Mechanical Dimensions:



2. Schematic:



DOC REV: B/1

3. Electrical Specifications: @25°C

- ISOLATION: 1500 Vrms
- INSERTION LOSS: -1.2dB MAX @1MHz-100MHz
- PRI OCL: 350uH Min @100KHz 100mV 8mADC
- PRI Q: 8 Min @100KHz 100mV
- PRI LL: 0.35uH Max @100KHz 100mV, Short SEC
- CWW: 25pF Typ @100KHz, 0.1V Pri to Sec
- PRI DCR: 0.900 Ohms Max
- RETURN LOSS: 16dB Min @1-30MHz
 - 14dB Min @40MHz
 - 13dB Min @50MHz
 - 12dB Typ @60-80MHz
- Differential to Common Mode Rejection:
 - 50dB Min @30MHz
 - 43dB Min @60MHz
 - 35dB Min @100MHz
- Crosstalk:
 - 45dB Min @30MHz
 - 40dB Min @60MHz
 - 35dB Min @100MHz
- Rated Current: 350mA

Notes:

1. Solderability: Leads shall meet MIL-STD-202G, Method 208H for solderability.
2. Flammability: UL94V-0
3. ASTM oxygen index: > 28%
4. Insulation System: Class F 155°C, UL file E151556
5. Operating Temperature Range: All listed parameters are to be within tolerance from -40°C to +85°C
6. Storage Temperature Range: -55°C to +125°C
7. Aqueous wash compatible
8. SMD Lead Coplanarity: ±0.004"(0.102mm)
9. Electrical and mechanical specifications 100% tested
10. RoHS Compliant Component

PROPRIETARY

Document is the property of XFMRS Group & is not allowed to be duplicated without authorization.

XFMRS Inc www.XFMRS.com		Title: 10/100TX DUAL MAGNETICS MODULES	
UNLESS OTHERWISE SPECIFIED TOLERANCES: .xxx ±0.010 Dimensions in INCH	P/N: XFVOIP-03		REV. B
	DWN.	Mei Chen	Aug-30-11
	CHK.	YK Liao	Aug-30-11
SHEET 1 OF 1	APP.	Joe Huff	Aug-30-11