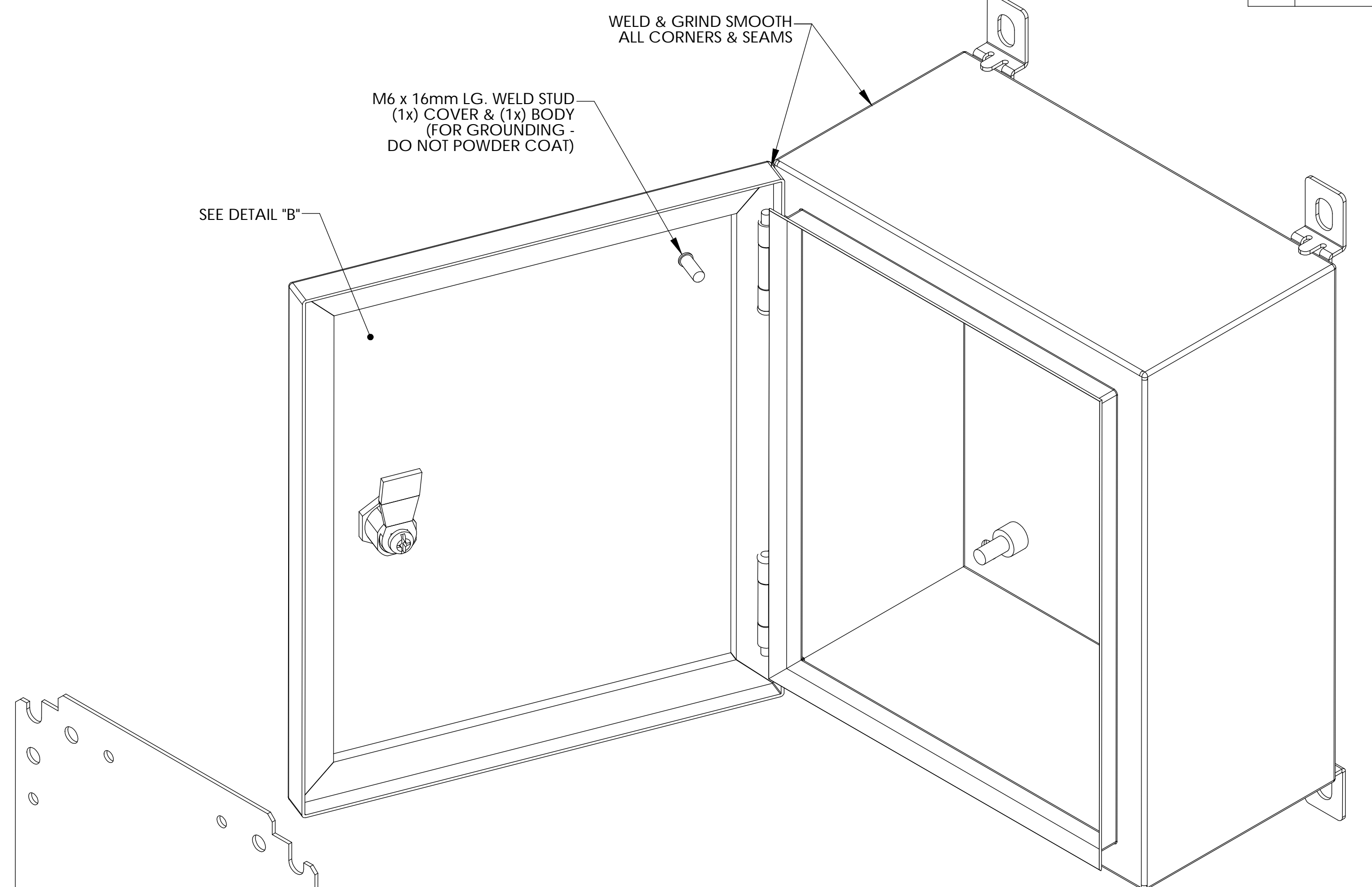
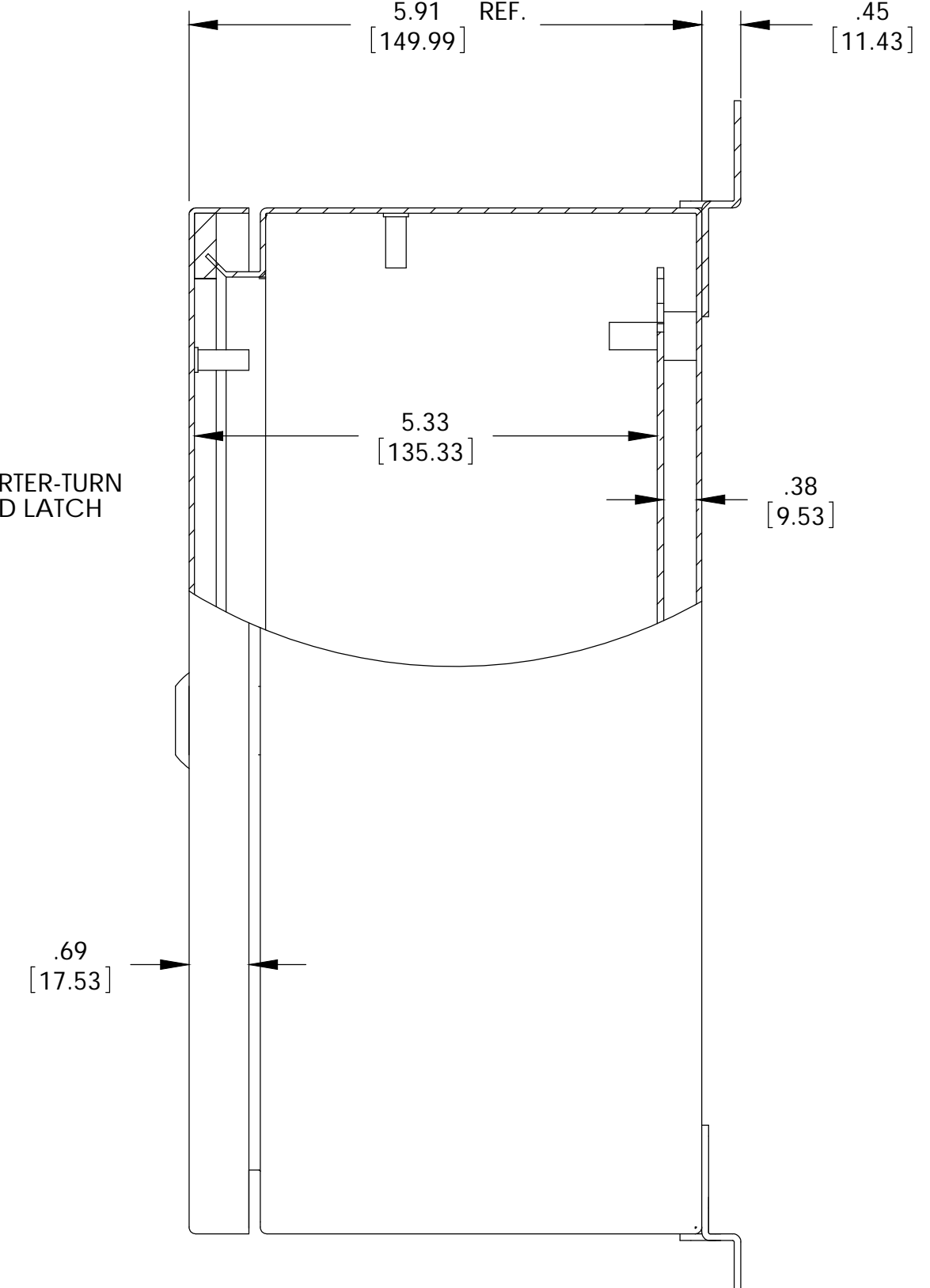
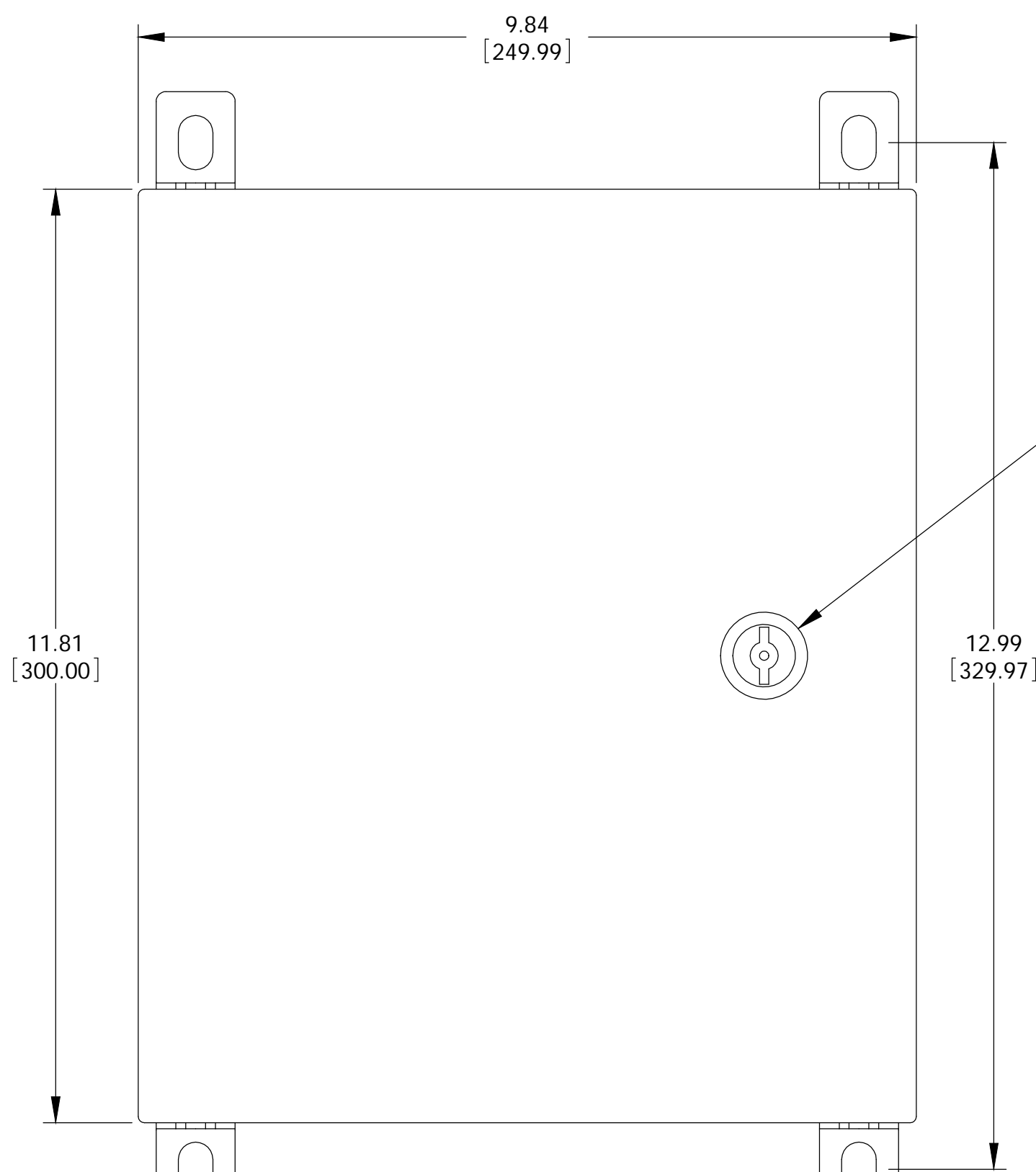
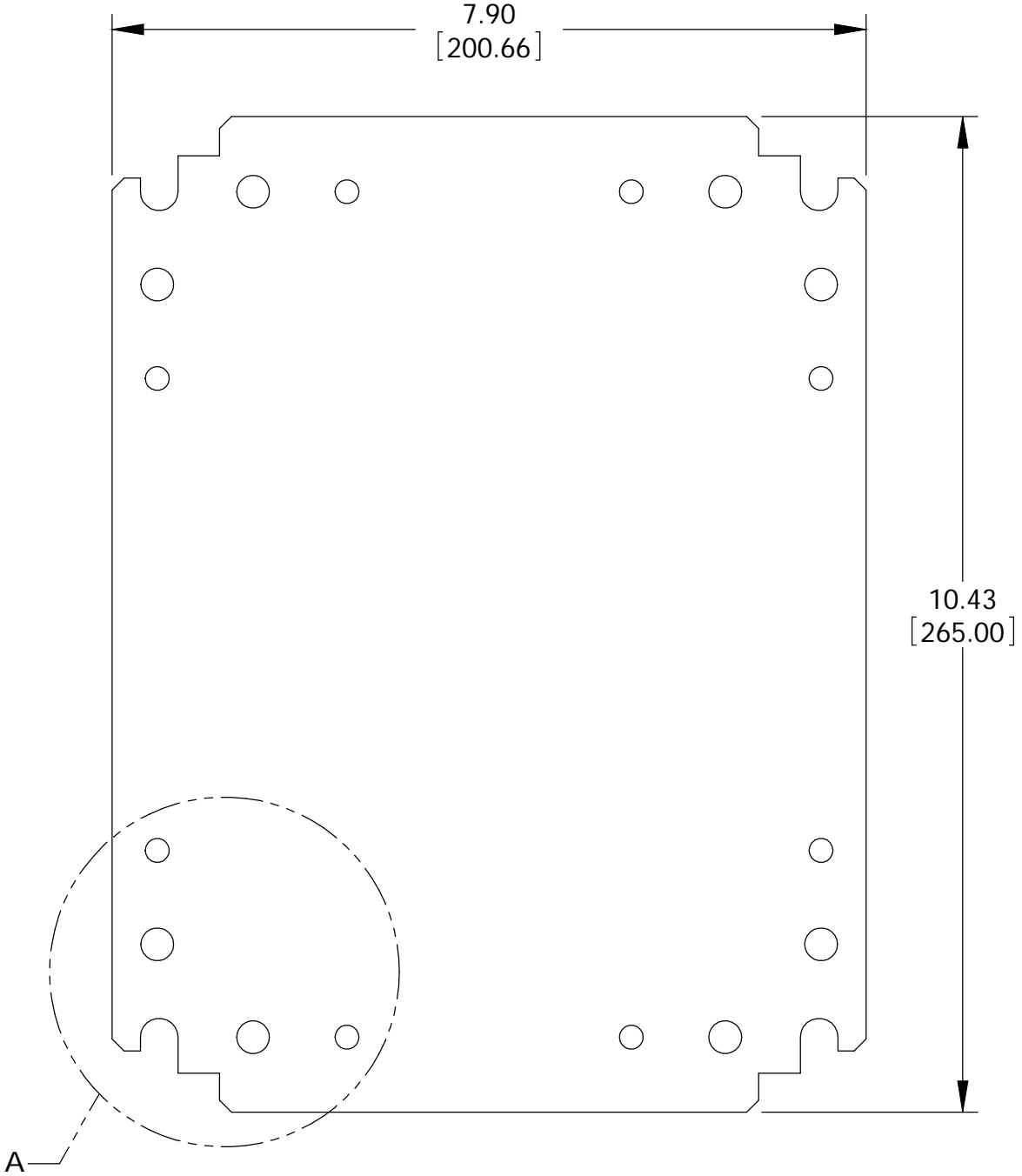
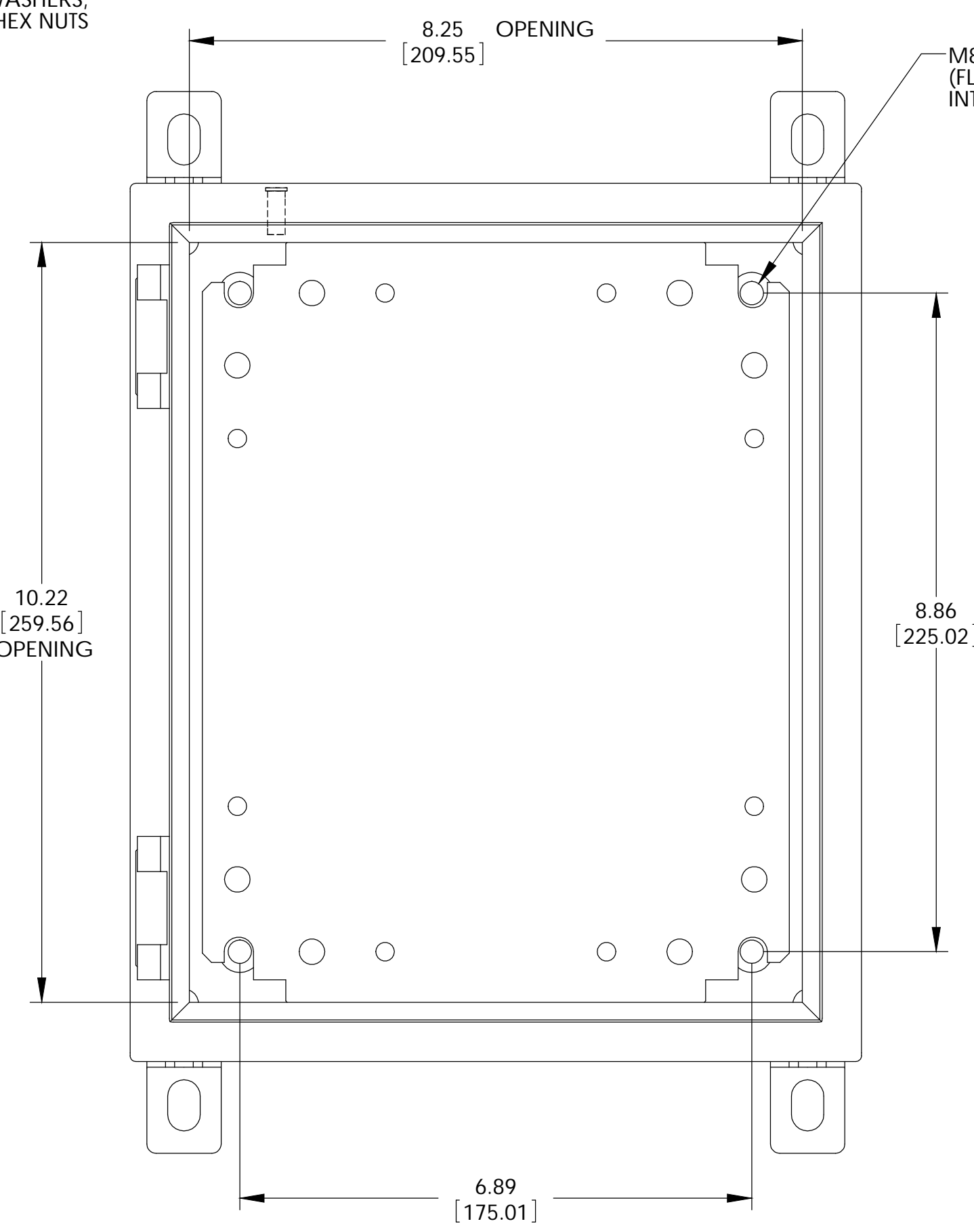


THE INFORMATION CONTAINED IN THIS DRAWING IS THE SOLE PROPERTY OF BUD INDUSTRIES INC. ANY REPRODUCTION IN PART OR WHOLE WITHOUT THE WRITTEN PERMISSION OF BUD INDUSTRIES INC. IS PROHIBITED.

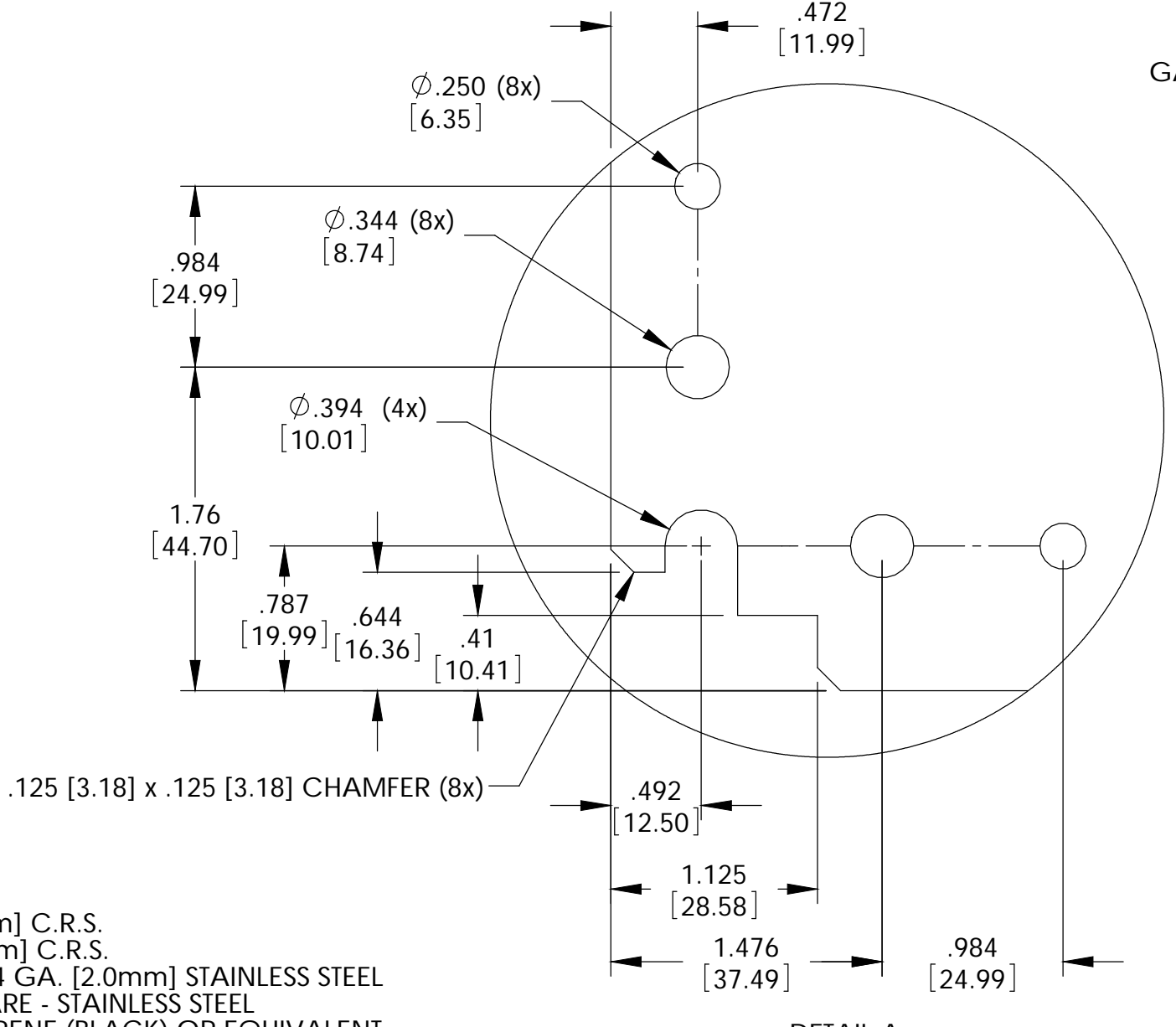
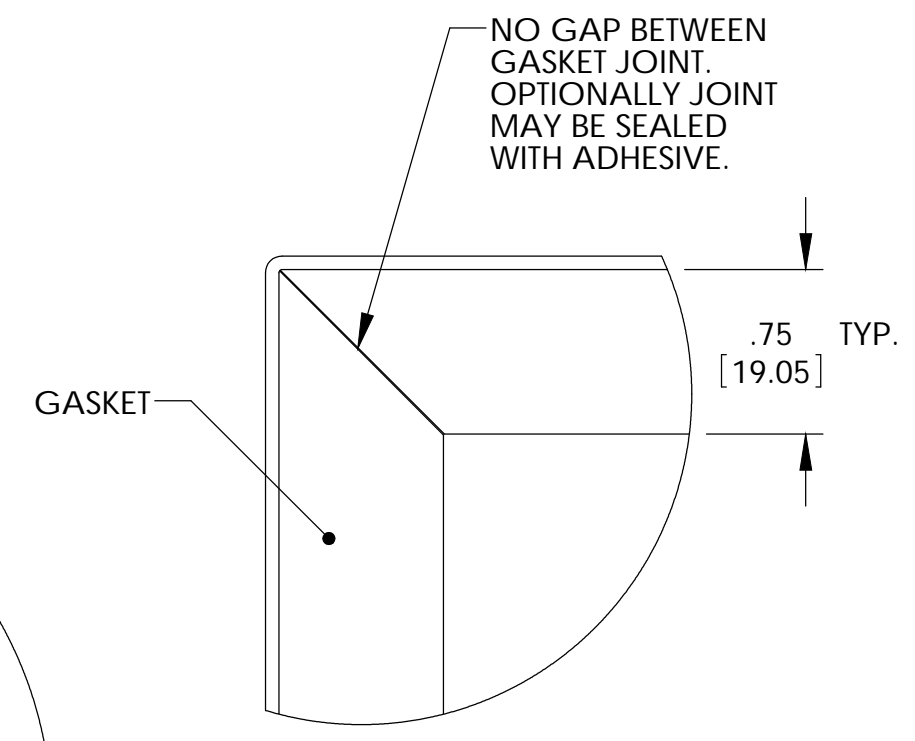
DWG. NO.	SNB-3731
ISSUE	REVISIONS
(A)	PER ECN #10446 1-13-09 BT



WALL MOUNTING BRACKET KIT TO CONTAIN THE FOLLOWING:
(4) BRACKETS, (4) BOLTS, (4) SEALING WASHERS, (4) FLAT WASHERS, (4) LOCKWASHERS & (4) HEX NUTS



M8 x 16mm LG. WELD STUD/STANDOFF (4x)
(FLAT WASHER, LOCKWASHER & HEX NUT FOR INTERNAL PANEL MOUNTING)



MATERIAL:
BODY & COVER - 16 GA. [1.5mm] C.R.S.
INTERNAL PANEL - 14 GA. [2.0mm] C.R.S.
WALL MOUNTING BRACKETS - 14 GA. [2.0mm] STAINLESS STEEL
HINGE PINS, STRIKER & HARDWARE - STAINLESS STEEL
GASKET - .25 [6.35] THICK NEOPRENE (BLACK) OR EQUIVALENT
SEALING WASHERS - BLACK NEOPRENE OR EQUIVALENT

FINISH:
BODY & COVER - LIGHT GRAY SMOOTH POWDER COAT
INTERNAL PANEL - ZINC CHROMATE
WALL MOUNTING BRACKETS, HINGE PINS, STRIKER - NATURAL

PARTS LIST		BUD INDUSTRIES INC.	
UNLESS OTHERWISE SPECIFIED ALL DIMENSIONS ARE IN INCHES (MULTIPLY BY 25.4 FOR MILLIMETERS)	CAD GENERATED DRAWING. DO NOT MANUALLY UPDATE		
TOLERANCES: DECIMALS: .XX ±.03 ANGLES: ±.010	APPROVALS: DATE: 9-21-07	NEMA SHEET METAL BOX	
MATERIAL: AS NOTED	CHECKED: DAB	SIZE [DWG. NO.] SNB-3731	
FINISH: AS NOTED	APPROVED:	SCALE [CAD FILE] SHEET 1 OF 1	
QTY.	USED ON	DO NOT SCALE DRAWING	