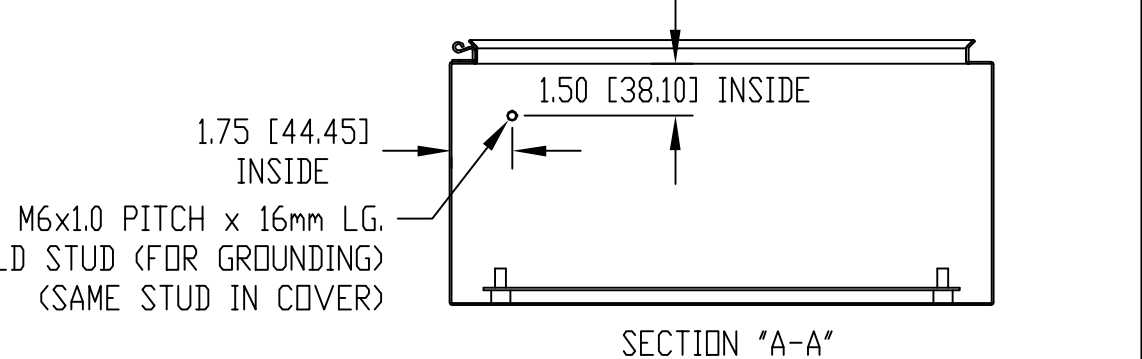


**MATERIAL:**  
 BODY & COVER - 16 GA. [1.5mm] C.R.S.  
 INTERNAL PANEL - 14 GA. [2.0mm] C.R.S.  
 WALL MOUNTING BRACKETS - 14 GA. [2.0mm] STAINLESS STEEL  
 STRIKER(S) - C.R.S.  
 HINGE PINS & WALL MOUNTING HARDWARE - STAINLESS STEEL  
 LATCH(ES) - ZINC DIE CAST  
 GASKET - 0.38 [9.53] THK. ROGERS CORP. PORDON #4701-30-15375  
 SEALING WASHERS - BLACK NEOPRENE OR EQUIVALENT

**FINISH:**  
 BODY & COVER - LIGHT GRAY SMOOTH POWDER COAT  
 INTERNAL PANEL - ZINC PLATED  
 WALL MOUNTING BRACKETS & HINGE PINS - NATURAL  
 STRIKER(S) - ZINC PLATED  
 LATCH(ES) - CHROME PLATED



PART NO.	"A"	"B"	"C"	"D"	"E"	"F"	"G"	"H"	"J"	"K"	"L"	"M"	"N"
SNB-3730	9.84 [250]	7.87 [200]	5.91 [150]	5.33 [135.33]	11.12 [282.34]	6.42 [163]	8.25 [209.56]	6.28 [159.56]	6.89 [175]	4.92 [125]	8.46 [215]	5.91 [150]	---
SNB-3731	11.81 [300]	9.84 [250]	5.91 [150]	5.33 [135.33]	13.08 [332.34]	8.39 [213]	10.22 [259.56]	8.25 [209.56]	8.86 [225]	6.89 [175]	10.43 [265]	7.87 [200]	---
SNB-3732	11.81 [300]	9.84 [250]	7.87 [200]	7.29 [185.12]	13.08 [332.34]	8.39 [213]	10.22 [259.56]	8.25 [209.56]	8.86 [225]	6.89 [175]	10.43 [265]	7.87 [200]	---
SNB-3733	11.81 [300]	11.81 [300]	5.91 [150]	5.33 [135.33]	13.08 [332.34]	10.35 [263]	10.22 [259.56]	10.22 [259.56]	8.86 [225]	8.86 [225]	10.43 [265]	9.84 [250]	---
SNB-3734	11.81 [300]	11.81 [300]	7.87 [200]	7.29 [185.12]	13.08 [332.34]	10.35 [263]	10.22 [259.56]	10.22 [259.56]	8.86 [225]	8.86 [225]	10.43 [265]	9.84 [250]	---
SNB-3735	15.75 [400]	11.81 [300]	5.91 [150]	5.33 [135.33]	17.02 [432.34]	10.35 [263]	14.16 [359.56]	10.22 [259.56]	12.80 [325]	8.86 [225]	14.37 [365]	9.84 [250]	---
SNB-3736	15.75 [400]	11.81 [300]	7.87 [200]	7.29 [185.12]	17.02 [432.34]	10.35 [263]	14.16 [359.56]	10.22 [259.56]	12.80 [325]	8.86 [225]	14.37 [365]	9.84 [250]	---
SNB-3737	15.75 [400]	15.75 [400]	7.87 [200]	7.29 [185.12]	17.02 [432.34]	14.29 [363]	14.16 [359.56]	14.16 [359.56]	12.80 [325]	12.80 [325]	14.37 [365]	13.78 [350]	11.62 [295]
SNB-3738	7.87 [200]	5.91 [150]	5.91 [150]	5.33 [135.33]	9.15 [232.34]	4.45 [113]	6.28 [159.56]	4.31 [109.56]	4.92 [125]	2.96 [75]	6.50 [165]	3.94 [100]	---
SNB-3739	7.87 [200]	7.87 [200]	3.98 [101]	3.40 [86.47]	9.15 [232.34]	6.42 [163]	6.28 [159.56]	6.28 [159.56]	4.92 [125]	4.92 [125]	6.50 [165]	5.91 [150]	---
SNB-3740	9.84 [250]	9.84 [250]	5.91 [150]	5.33 [135.33]	11.12 [282.34]	8.39 [213]	8.25 [209.56]	8.25 [209.56]	6.89 [175]	6.89 [175]	8.46 [215]	7.87 [200]	---
SNB-3741	9.84 [250]	7.87 [200]	3.98 [101]	3.40 [86.47]	11.12 [282.34]	6.42 [163]	8.25 [209.56]	6.28 [159.56]	6.89 [175]	4.92 [125]	8.46 [215]	5.91 [150]	---
SNB-3743	15.75 [400]	13.98 [355]	7.87 [200]	7.29 [185.12]	17.02 [432.34]	12.52 [318]	14.16 [359.56]	12.38 [314.56]	12.80 [325]	11.03 [280]	14.37 [365]	12.00 [305]	11.62 [295]