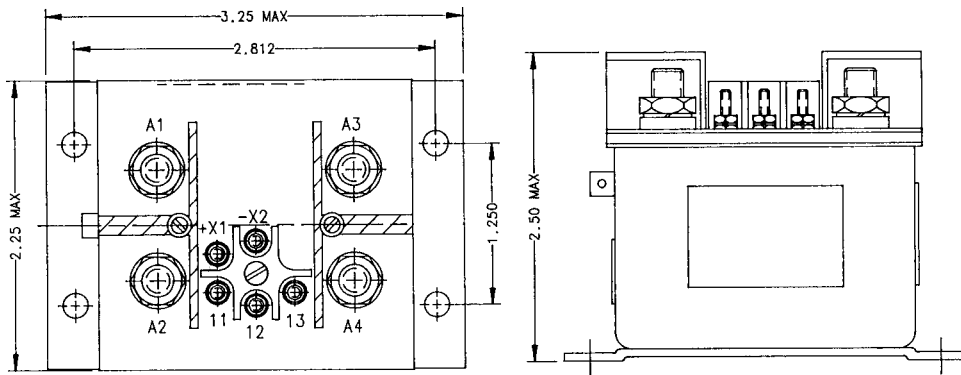
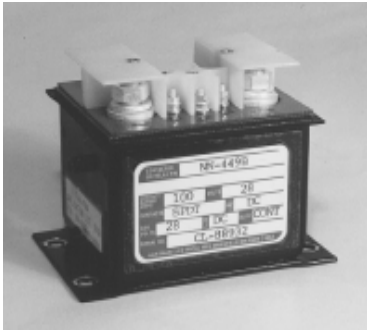


# NN-449B DC SPDT, Double Break, 100 Amps, 28 VDC

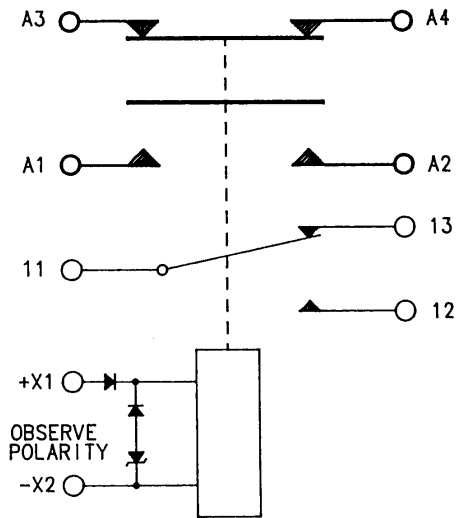


Dimensions for this product are expressed in inches. Multiply values by 25.4 for millimeters.

**Features:**

- SPDT Double Break Main Contacts
- Transient Suppression
- 28 VDC
- 100 Amps
- High Reliability
- Meets many requirements of MIL-R-6106

**CONTACTOR CONFIGURATION**



**Notes:**

PRODUCT SPECIFICATIONS	
Construction	Gasket Sealed, Vented
Main Contacts:	
Configuration	SPDT Double Break
Voltage (Nominal)	28 VDC
Current (Resistive)	100 Amps
Auxiliary Contacts:	
Configuration	SPDT
Voltage (Nominal)	28 VDC
Current (Resistive)	5 Amps
Coil Data:	
Duty Cycle	Continuous
Voltage (Nominal)	28 VDC
Pick-Up Voltage	18 VDC Maximum
Drop-Out Voltage	1.5 - 7 VDC
Coil Current @ 28 VDC & +25°C	0.20 Amps Maximum
Operating Temperature	-55°C to +71°C
Life:	
Electrical	50,000 Cycles
Mechanical	100,000 Cycles
Weight	.75 Lb.

For factory-direct application assistance, contact the HARTMAN product team at (419) 521-9500, Fax (419) 526-2749.

© 2004 by Tyco Electronics Corporation. All Rights Reserved. HARTMAN and TYCO are trademarks.