

iC-PN2656

PHASED ARRAY NONIUS ENCODER 26-256

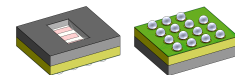
FEATURES

Compact photosensor for high-resolution nonius scanning
Phased-array design for 255/256/240 PPR (N/M/S channel)
with excellent signal matching
Reduced cross talk due to moderate track pitch
Ultra low dark currents for operation to high temperature
Low noise amplifiers with high transimpedance of typ. 4 M Ω
Short-circuit-proof, low impedance voltage outputs for
enhanced EMI tolerance
Space saving optoQFN and optoBGA packages
(RoHS compliant)
Low power consumption from single 4.5 to 5.5 V supply
Operational temperature range of -40 to +110 °C
Suitable code discs:
LSHC4S 26-256N (glass 1 mm)
OD \varnothing 26 mm, ID \varnothing 11.6 mm, optical radius 10.905 mm
LSHC5S 26-256N (plastic 1.15 mm),
OD \varnothing 26 mm, ID \varnothing 7 mm, optical radius 10.905 mm

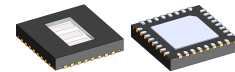
APPLICATIONS

Absolute position encoders

PACKAGES

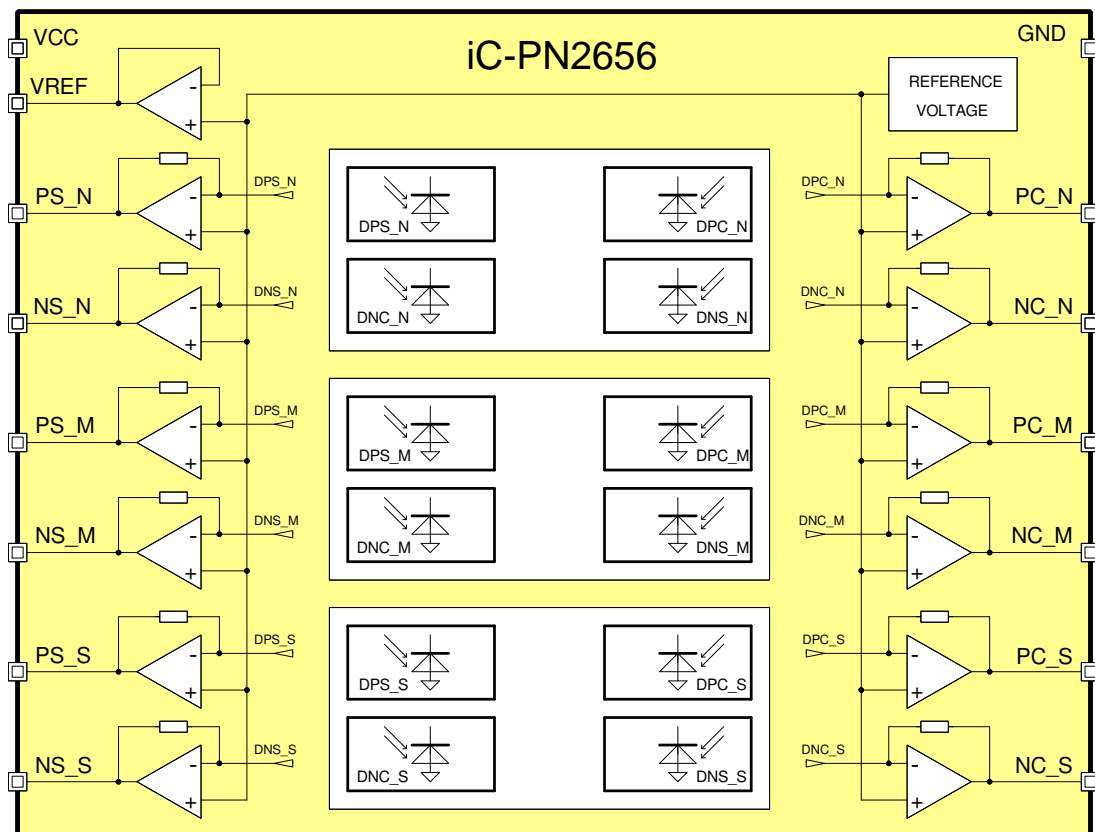


15-pin optoBGA
6.2 mm x 5.2 mm x 1.7 mm



32-pin optoQFN
5 mm x 5 mm x 0.9 mm

BLOCK DIAGRAM



iC-PN2656

PHASED ARRAY NONIUS ENCODER 26-256

preliminary



Rev B2, Page 2/7

DESCRIPTION

The optical encoder iC-PN2656 features 24 monolithically integrated photosensors arranged as a phased-array. The high transimpedance gain of typically $4\text{ M}\Omega$ generates output signals of a few hundred millivolts already from illumination levels of 1 to 2 mW/cm^2 . In most cases no additional measures must be considered to filter for noise and interferences.

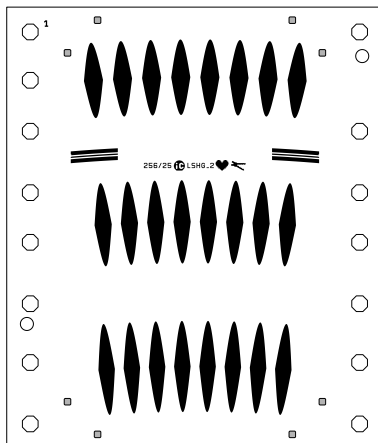
Analog nonius-scale encoders are the typical application for iC-PN2656. Its 3-track scanning features a phased-array of 8 photosensors each per track, generating positive and negative going sine signals, as

well as positive and negative going cosine signals. An excellent matching and common mode behavior of the differential signal paths is obtained by a paired amplifier design, reducing the needs for external signal calibration to an absolute minimum.

The spectral sensitivity range includes visible to near infrared light, with the maximum sensitivity being close to a wavelength of 680 nm. An output voltage of approximately 1 V is typical under low light conditions, for instance when iC-PN2656 is illuminated at only 1.3 mW/cm^2 by an 740 nm LED.

PACKAGES INFORMATION

PAD LAYOUT (2.88 mm x 3.37 mm)



PAD FUNCTIONS

No. Name Function

- | | | |
|----|------|----------------------------|
| 1 | VCC | +4.5..5.5 V Supply Voltage |
| 2 | VREF | Reference Voltage Output |
| 3 | PS_N | N-Track Sine + |
| 4 | NS_N | N-Track Sine - |
| 5 | PS_M | M-Track Sine + |
| 6 | NS_M | M-Track Sine - |
| 7 | PS_S | S-Track Sine + |
| 8 | NS_S | S-Track Sine - |
| 9 | NC_S | S-Track Cosine - |
| 10 | PC_S | S-Track Cosine + |
| 11 | NC_M | M-Track Cosine - |
| 12 | PC_M | M-Track Cosine + |
| 13 | NC_N | N-Track Cosine - |
| 14 | PC_N | N-Track Cosine + |
| 15 | GND | Ground |

All outputs are analog voltage outputs.

iC-PN2656

PHASED ARRAY NONIUS ENCODER 26-256

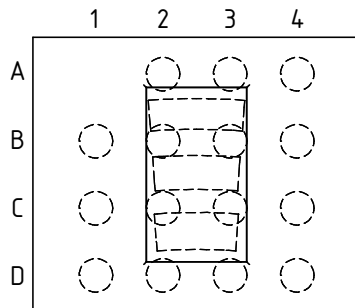
preliminary



Rev B2, Page 3/7

PIN CONFIGURATION

oBGA LSH2C (6.2 mm x 5.2 mm)



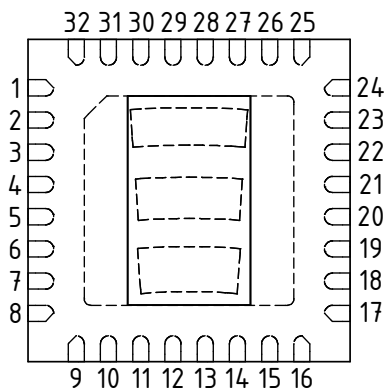
PIN FUNCTIONS

No. Name Function

A2	VCC	+4.5..5.5 V	Supply Voltage
A3	VREF		Reference Voltage Output
A4	GND		Ground
B1	PS_N		N-Track Sine +
B2	NS_N		N-Track Sine -
B3	NC_N		N-Track Cosine -
B4	PC_N		N-Track Cosine +
C1	PS_M		M-Track Sine +
C2	NS_M		M-Track Sine -
C3	NC_M		M-Track Cosine -
C4	PC_M		M-Track Cosine +
D1	PS_S		S-Track Sine +
D2	NS_S		S-Track Sine -
D3	NC_S		S-Track Cosine -
D4	PC_S		S-Track Cosine +

PIN CONFIGURATION

oQFN32-5x5 (5 mm x 5 mm)



PIN FUNCTIONS

No. Name Function

1	VCC	+4.5..5.5 V	Supply Voltage
2	VREF		Reference Voltage Output
3	PS_N		N-Track Sine +
4	NS_N		N-Track Sine -
5	PS_M		M-Track Sine +
6	NS_M		M-Track Sine -
7	PS_S		S-Track Sine +
8	NS_S		S-Track Sine -
17	NC_S		S-Track Cosine -
18	PC_S		S-Track Cosine +
19	NC_M		M-Track Cosine -
20	PC_M		M-Track Cosine +
21	NC_N		N-Track Cosine -
22	PC_N		N-Track Cosine +
24	GND		Ground

BP Backside pad (oQFN32-5x5 only):
not intended as an electrical connection
point; when using as shield a single link
to GND is permissible.

Package qualification optoQFN32-5x5 pending.

iC-PN2656

PHASED ARRAY NONIUS ENCODER 26-256

preliminary



Rev B2, Page 4/7

ABSOLUTE MAXIMUM RATINGS

These ratings do not imply operating conditions; functional operation is not guaranteed. Beyond these ratings device damage may occur.

Item No.	Symbol	Parameter	Conditions			Unit
				Min.	Max.	
G001	VCC	Voltage at VCC		-0.3	6	V
G002	I(VCC)	Current in VCC		-20	20	mA
G003	V()	Pin Voltage, all signal outputs		-0.3	VCC + 0.3	V
G004	I()	Pin Current, all signal outputs		-20	20	mA
G005	Vd()	ESD Susceptibility, all pins	HBM, 100 pF discharged through 1.5 kΩ		2	kV
G006	Tj	Junction Temperature		-40	150	°C
G007	Ts	Chip Storage Temperature		-40	150	°C

THERMAL DATA

Item No.	Symbol	Parameter	Conditions	Min.	Typ.	Max.	Unit
T01	Ta	Operating Ambient Temperature Range	package oBGA LSH2C	-40		110	°C
			package oQFN32-5x5*	-40		110	°C
			(extended temperature range on request)				
T02	Ts	Storage Temperature Range	package oBGA LSH2C, package oQFN32-5x5*	-40		110	°C
T03	Tpk	Soldering Peak Temperature	package oBGA LSH2C				
			tpk < 20 s, convection reflow tpk < 20 s, vapor phase soldering			245 230	°C °C
			TOL (time on label) 8 h; Please refer to customer information file No. 7 for details.				
T04	Tpk	Soldering Peak Temperature	package oQFN32-5x5*				
			tpk < 20 s, convection reflow tpk < 20 s, vapor phase soldering			245 230	°C °C
			MSL 5A (max. floor live 24 h at 30 °C and 60 % RH); Please refer to customer information file No. 7 for details.				

*) Package qualification pending.

All voltages are referenced to ground unless otherwise stated.

All currents flowing into the device pins are positive; all currents flowing out of the device pins are negative.

iC-PN2656

PHASED ARRAY NONIUS ENCODER 26-256



Rev B2, Page 5/7

ELECTRICAL CHARACTERISTICS

Operating conditions: VCC = 4.5...5.5 V, Tj = -40...125 °C, unless otherwise stated

Item No.	Symbol	Parameter	Conditions				Unit
				Min.	Typ.	Max.	
Total Device							
001	VCC	Permissible Supply Voltage		4.5		5.5	V
002	I(VCC)	Supply Current in VCC	no load, photocurrents within linear op. range (no override)		9.5	15	mA
003	Vc()hi	Clamp-Voltage hi at all pins	I() = 4 mA			11	V
004	Vc()lo	Clamp-Voltage lo at all pins	I() = -4 mA	-1.2		-0.3	V
Photosensors							
101	λ_{ar}	Spectral Application Range	$Se(\lambda_{ar}) = 0.25 \times S(\lambda)_{max}$	400		950	nm
102	λ_{pk}	Peak Sensitivity Wavelength			680		nm
103	Aph()	Radiant Sensitive Area			0.11		mm ²
104	S(λ)	Spectral Sensitivity	$\lambda_{LED} = 740 \text{ nm}$		0.5		A/W
105	S(λ_{pk})max	Maximum Spectral Sensitivity	$\lambda_{LED} = \lambda_{pk}$		0.55		A/W
106	E()mxr	Irradiance For Maximum Signal Level	$\lambda_{LED} = 740 \text{ nm}$, Vout() not saturated	0.7	1.3	2.1	mW/cm ²
Photocurrent Amplifiers							
201	Iph()	Permissible Photocurrent Operating Range		0		280	nA
202	$\eta()$ r	Photo Sensitivity (light-to-voltage conversion ratio)	$\lambda_{LED} = 740 \text{ nm}$	0.8	1.2	2.0	V/ μ W
203	Z()	Equivalent Transimpedance Gain	$Z = Vout() / Iph()$	2.69	4.0	5.46	M Ω
204	TCz	Temperature Coefficient of Transimpedance Gain			-0.12		%/°C
209	$\Delta Z()$ pn	Transimpedance Gain Matching	P. channel vs. corresponding N.. channel	-0.2		0.2	%
210	$\Delta Vout()$ pn	Signal Matching	no illumination, any output vs. any output	-35		35	mV
211	$\Delta Vout()$ pn	Signal Matching	no illumination, P. output vs. corresponding N.. output	-2.5		2.5	mV
212	fc()hi	Cut-off Frequency (-3 dB)		120	180	280	kHz
213	VNoise()	RMS Output Noise	illuminated to 500 mV signal level above dark level, 500 kHz band width		0.5		mV
Signal Outputs							
301	Vout()mx	Permissible Maximum Output Voltage	illumination to E()mxr, linear gain	2.45	2.72	3.02	V
302	Vout()d	Dark Signal Level	no illumination, load 20 k Ω vs. +2 V	600	770	1000	mV
303	Vout()acmx	Maximum Signal Level	$Vout()acmx = Vout()mx - Vout()d$	1.48	1.96	2.35	V
304	Isc()hi	Short-Circuit Current hi	load current to ground	100	420	800	μ A
305	Isc()lo	Short-Circuit Current lo	load current to IC	250	480	700	μ A
306	Ri()	Internal Output Resistance	f = 1 kHz	70	110	180	Ω
307	ton()	Power-On Settling Time	VCC = 0 V \rightarrow 5 V			100	μ s
Reference Voltage VREF							
401	VREF	Reference Voltage	I(VREF) = 0...+1.6 mA	600	770	1000	mV
402	dVout()	Load Balancing	I(VREF) = 0...+1.6 mA	-10		+10	mV
403	Isc()hi	Short-Circuit Current hi	load current to ground	200	420	800	μ A
404	Isc()lo	Short-Circuit Current lo	load current to IC	2	4.5	10	mA

APPLICATION CIRCUITS

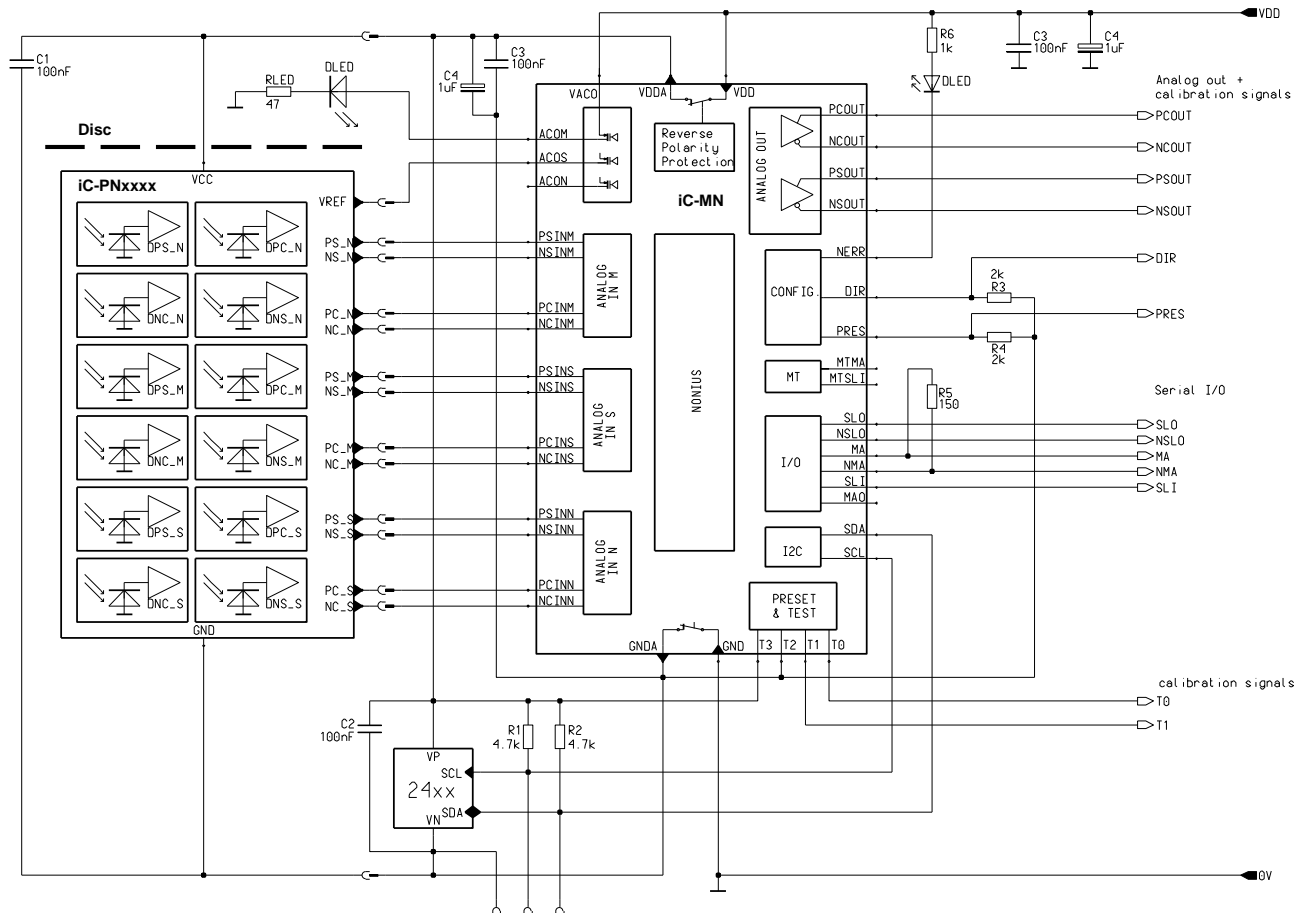


Figure 1: Application example of absolute encoder circuit.

iC-Haus expressly reserves the right to change its products and/or specifications. An info letter gives details as to any amendments and additions made to the relevant current specifications on our internet website www.ichaus.de/infoletter; this letter is generated automatically and shall be sent to registered users by email.

Copying – even as an excerpt – is only permitted with iC-Haus' approval in writing and precise reference to source.

iC-Haus does not warrant the accuracy, completeness or timeliness of the specification and does not assume liability for any errors or omissions in these materials.

The data specified is intended solely for the purpose of product description. No representations or warranties, either express or implied, of merchantability, fitness for a particular purpose or of any other nature are made hereunder with respect to information/specification or the products to which information refers and no guarantee with respect to compliance to the intended use is given. In particular, this also applies to the stated possible applications or areas of applications of the product.

iC-Haus conveys no patent, copyright, mask work right or other trade mark right to this product. iC-Haus assumes no liability for any patent and/or other trade mark rights of a third party resulting from processing or handling of the product and/or any other use of the product.

As a general rule our developments, IPs, principle circuitry and range of Integrated Circuits are suitable and specifically designed for appropriate use in technical applications, such as in devices, systems and any kind of technical equipment, in so far as they do not infringe existing patent rights. In principle the range of use is limitless in a technical sense and refers to the products listed in the inventory of goods compiled for the 2008 and following export trade statistics issued annually by the Bureau of Statistics in Wiesbaden, for example, or to any product in the product catalogue published for the 2007 and following exhibitions in Hanover (Hannover-Messe).

We understand suitable application of our published designs to be state-of-the-art technology which can no longer be classed as inventive under the stipulations of patent law. Our explicit application notes are to be treated only as mere examples of the many possible and extremely advantageous uses our products can be put to.

iC-PN2656

PHASED ARRAY NONIUS ENCODER 26-256

preliminary



Rev B2, Page 7/7

ORDERING INFORMATION

Type	Package	Options	Order Designation
iC-PN2656	-		iC-PN2656 chip
	15-pin optoBGA, 6.2 mm x 5.2 mm, thickness 1.7 mm		iC-PN2656 oBGA LSH2C
	32-pin optoQFN, 5 mm x 5 mm, thickness 0.9 mm		iC-PN2656 oQFN32-5x5
		Suitable code discs	
		255/256/240 PPR OD \varnothing 26 mm, ID \varnothing 11.6 mm, optical radius 10.905 mm (glass 1 mm)	LSHC4S 26-256N
		255/256/240 PPR OD \varnothing 26 mm, ID \varnothing 7 mm, opti- cal radius 10.905 mm (plastic 1.15 mm)	LSHC5S 26-256N

For technical support, information about prices and terms of delivery please contact:

iC-Haus GmbH
Am Kuemmerling 18
D-55294 Bodenheim
GERMANY

Tel.: +49 (61 35) 92 92-0
Fax: +49 (61 35) 92 92-192
Web: <http://www.ichaus.com>
E-Mail: sales@ichaus.com

Appointed local distributors: http://www.ichaus.com/sales_partners