

Dipole Antenna for PCN

AND-C-106

V3.00

Features

- Compact Size
- High Efficiency
- Low VSWR
- Ground Plane Independent
- Rugged/Durable
- Flexible

Description

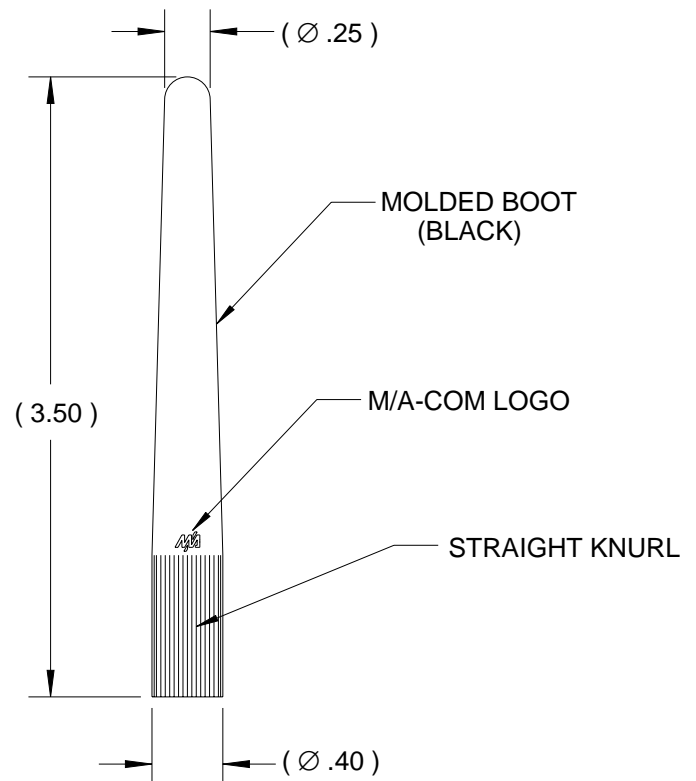
The AND-C-106 collinear dipole is vertically polarized and omnidirectional in azimuth. The unit is flexible to permit bending without damage. The compact design is optimized for high efficiency and easily adapted to custom applications.

This antenna can be used for a variety of PCN applications to include hand held phones and computers.



Specifications

Frequency Range	1850-1990 MHz
Peak Gain	1.9 dBi
Polarization	Vertical
Nominal Impedance	50 Ohms
VSWR	2.0:1 Max
R. F. Power Handling	1 W Avg. Max 3 W Peak Max
Weight:	1.0 oz. Max
Flex Life:	5,000 cycles $\pm 45^\circ$



Specifications Subject to Change Without Notice

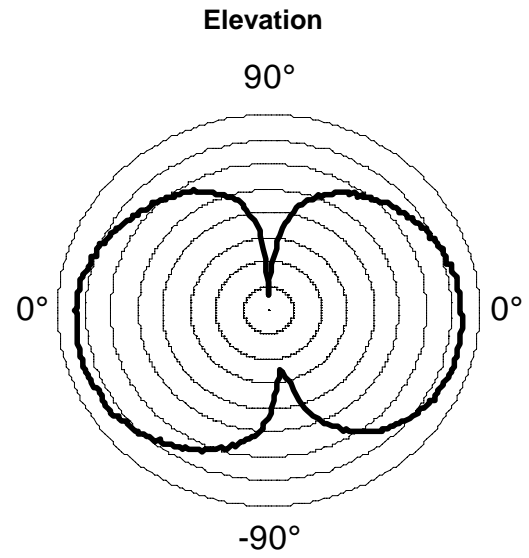
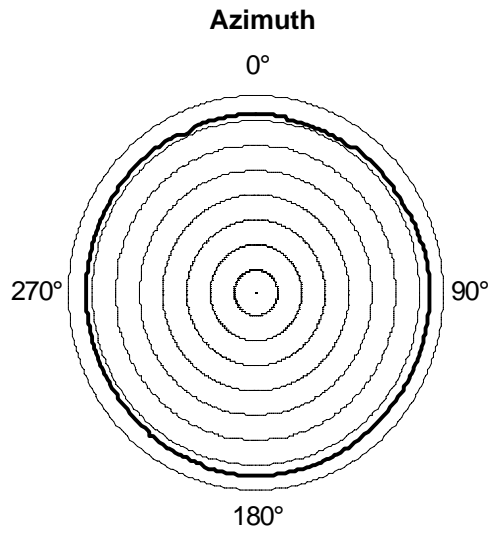
M/A-COM Inc.

North America: Tel. (800) 366-2266
Fax (800) 618-8883

Asia/Pacific: Tel. +85 2 2111 8088
Fax +85 2 2111 8087

Europe: Tel. +44 (1344) 869-595
Fax +44 (1344) 300-020

Typical Electrical Performance



Specifications Subject to Change Without Notice.

M/A-COM Inc.

North America: Tel. (800) 366-2266
Fax (800) 618-8883

♦ Asia/Pacific: Tel. +85 2 2111 8088
Fax +85 2 2111 8087

♦ Europe: Tel. +44 (1344) 869-595
Fax +44 (1344) 300-020