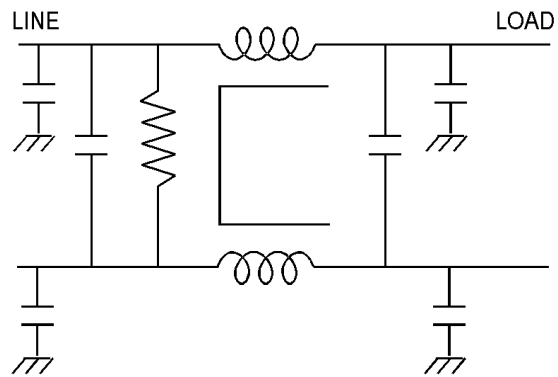




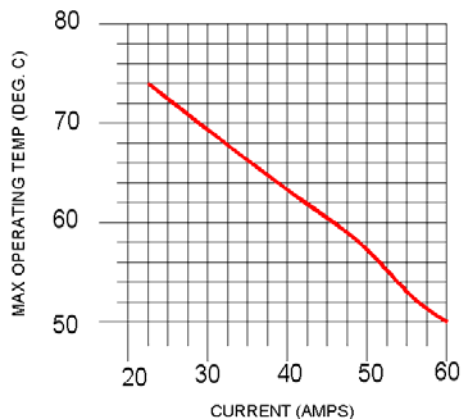
MM-0637A-60D

Operating Voltage = 48 Vdc (Typical)
 Operating Voltage Max. = 0—75Vdc
 Operating Current = 60 Amp
 Operating Temp Range = -40 to 50 C (see chart)
 Storage temperature = -55—100 C
 Dielectric Withstanding Voltage
 Line to Line: 707 Vdc for 1 minute
 Line to Case: 2250 Vdc for 1.0 min

Safety Agency Approvals



OPERATING TEMPERATURE VS. LOAD CURRENT



INSERTION LOSS vs. FREQUENCY

