

**PLEASE CHECK WWW.MOLEX.COM FOR LATEST PART INFORMATION**

**Part Number:** [0191640074](#)  
**Status:** **Active**  
**Description:** Perma-Seal™ 3-Way Connector Assembly for 10-12 AWG Wire

**Documents:**

[Drawing \(PDF\)](#) [RoHS Certificate of Compliance \(PDF\)](#)

**General**

Product Family	Splices
Series	<a href="#">19164</a>
Crimp Quality Equipment	Yes
Mil-Spec	N/A
Product Name	3 Way, Perma-Seal™

**Physical**

Barrel Type	Closed
Insulation	NiAc™
Material - Metal	Copper
Material - Plating Mating	Tin
Material - Plating Termination	Tin
Packaging Type	Bag
Plating min: Mating (µin)	100
Plating min: Mating (µm)	2.5
Plating min: Termination (µin)	100
Plating min: Termination (µm)	2.5
Temperature Range - Operating	-55°C to +125°C
Wire Insulation Diameter	7.87mm (.310") max
Wire Size AWG	10, 12
Wire Size mm²	3.09 - 5.01

**Electrical**

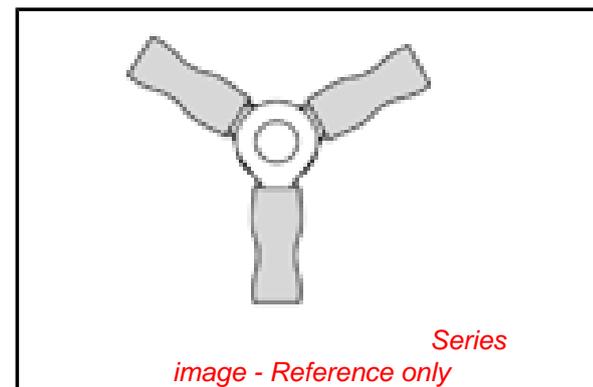
Voltage - Maximum	600V
-------------------	------

**Material Info**

Old Part Number	SC-2YCX
-----------------	---------

**Reference - Drawing Numbers**

Sales Drawing	SD-19164-051, SD-19204-001
---------------	----------------------------



**EU RoHS**

**ELV and RoHS Compliant**  
**REACH SVHC**  
 Not Reviewed  
**Halogen-Free Status**

**China RoHS**



**Not Reviewed**

**Need more information on product environmental compliance?**

Email [productcompliance@molex.com](mailto:productcompliance@molex.com)  
 For a multiple part number RoHS Certificate of Compliance, [click here](#)

Please visit the [Contact Us](#) section for any non-product compliance questions.

**Search Parts in this Series**

[19164Series](#)

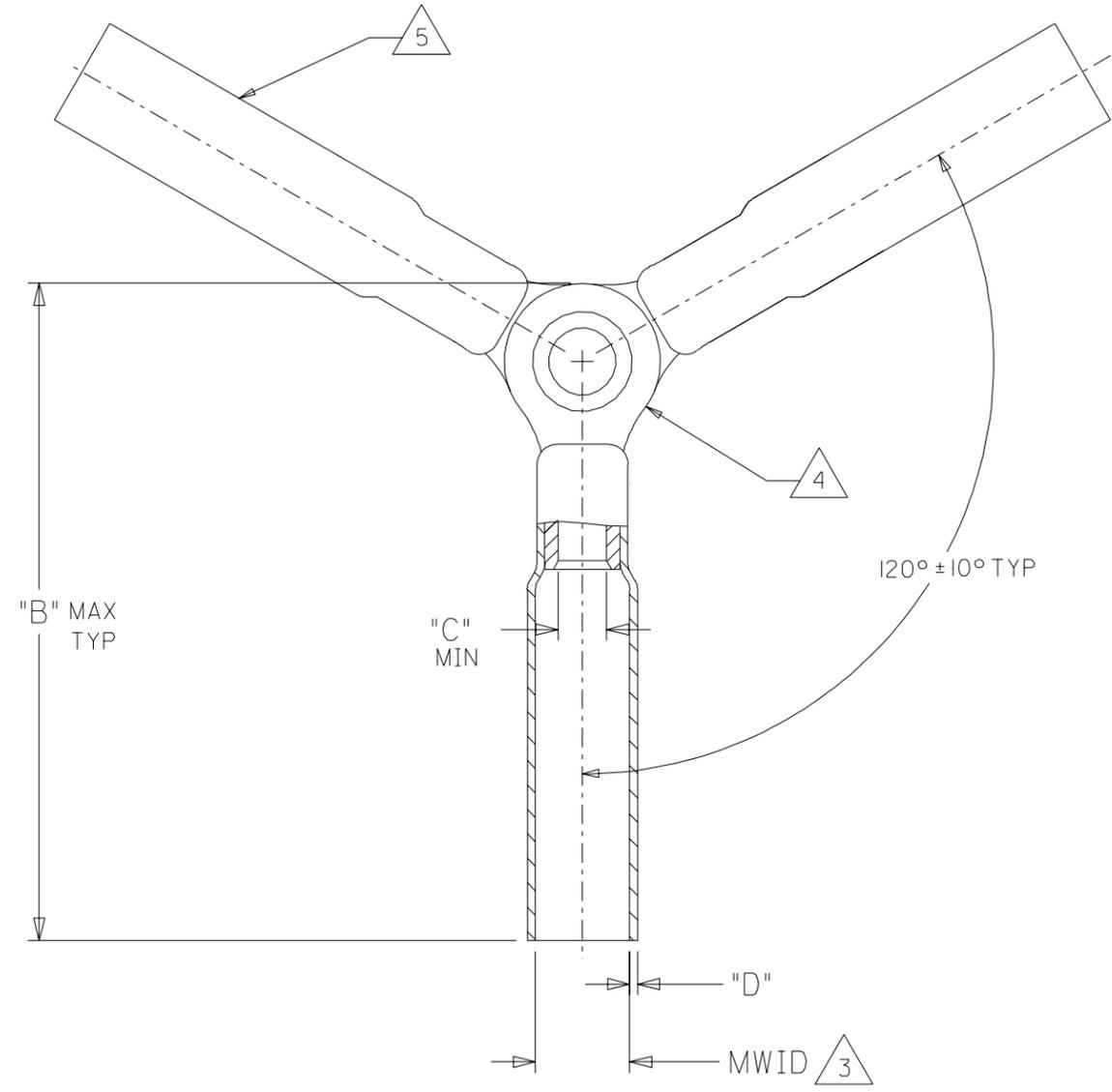
**Application Tooling | [FAQ](#)**

*Tooling specifications and manuals are found by selecting the products below. Crimp Height Specifications are then contained in the Application Tooling Specification document.*

**Global**

Description	Product #
Hand Crimp Tool, UL	<a href="#">0640017400</a>
Approved	
Power Crimp Tool	<a href="#">0640057400</a>
Head for Prema-Seal™ Terminals	
10-22 AWG	

MATERIAL NUMBER	ENGINEERING NUMBER	WIRE SIZE AWG	WIRE SIZE MM SQ.	PERMA-SEAL COLOR	MWID	B MAX	C MIN	D
191640011	SA-2YCX	22-18	.25-1.5	RED	.215/5.46	1.25/31.8	.62/1.57	.025/0.64
191640042	SB-2YCX	16-14	1.0-2.5	BLUE	.235/5.97	1.24/31.5	1.24/31.5	.029/0.74
191640074	SC-2YCX	12-10	4.0-6.0	YELLOW	.310/7.62	1.34/34.0	.128/3.25	.029/0.74

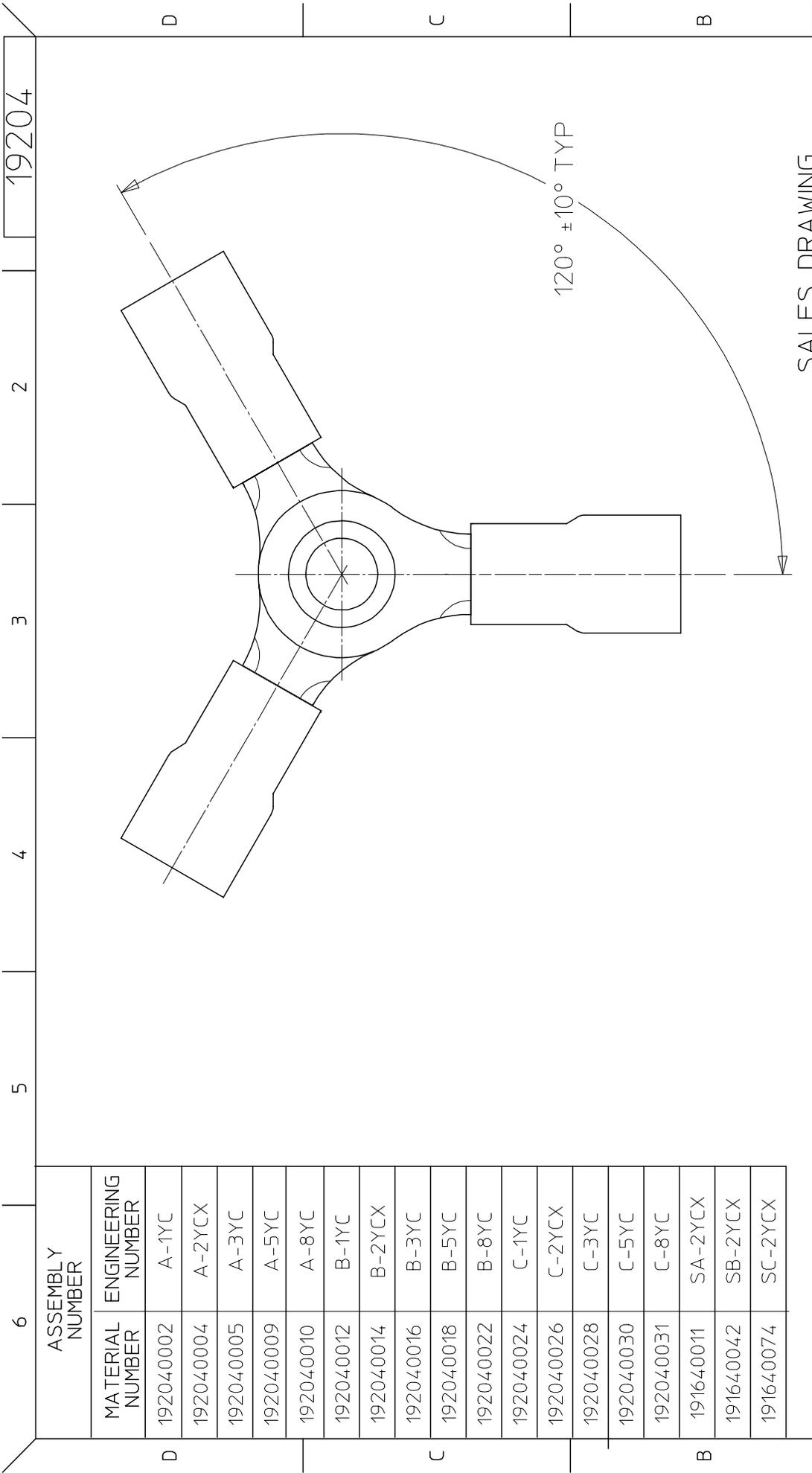


NOTES;

1. CONNECTION BETWEEN TERMINALS TO BE TIGHT.
2. RIVET NOT TO BE SPLIT.
3. MWID = MAXIMUM WIRE INSULATION DIAMETER.
4. TERMINAL MATERIAL: COPPER ALLOY.
5. INSULATION MATERIAL: HEAT SHRINKABLE TUBING WITH HOTMELT ADHESIVE INNER LINER. COLOR SEE CHART.

SALES DRAWING

NEW RELEASE EC NO. ETC2003-0136 DRWN: BRE 03/03/20 CHK: HEB 03/03/20 APPR: RWD 03/03/20	DESCRIPTION REV A	QUALITY SYMBOLS	GENERAL TOLERANCES: (UNLESS SPECIFIED)		SCALE NO: NE	DESIGN UNITS	THIRD ANGLE PROJECTION	DIMENSIONS:	SHT	REV	
		MAJOR = 0	mm	INCH	NO: NE	mm	INCH	mm	mm		
		CRITICAL = 0	4 PLACES ±0.	±.	mm	INCH	mm	mm	mm		
			3 PLACES ±0.	±.	mm	INCH	mm	mm	mm		
	2 PLACES ±0.	±.	mm	INCH	mm	mm	mm				
	1 PLACE ±0.	±.	mm	INCH	mm	mm	mm				
	ANGULAR: ±	°	DRAFT WHERE APPLICABLE MUST REMAIN WITHIN DIMENSIONS		DRAWN BY & DATE BRE 02/11/15		TITLE: 3-WAY NIAC CONNECTOR ASSEMBLY				
					CHECKED BY & DATE HEB 02/11/15		MOLEX INCORPORATED				
					APPROVED BY & DATE RWD 15/11/15		MATERIAL NO. SEE CHART				
					CAD FILENAME E-19164-051 .DGN		DRAWING NO. SD-19164-051		SHEET NO. 1 OF 1		
					THIS DRAWING CONTAINS INFORMATION THAT IS PROPRIETARY TO MOLEX INCORPORATED AND SHOULD NOT BE USED WITHOUT WRITTEN PERMISSION.						
					SIZE B						



SALES DRAWING

19204

2

3

4

5

6

ASSEMBLY NUMBER	
MATERIAL NUMBER	ENGINEERING NUMBER
192040002	A-1YC
192040004	A-2YCX
192040005	A-3YC
192040009	A-5YC
192040010	A-8YC
192040012	B-1YC
192040014	B-2YCX
192040016	B-3YC
192040018	B-5YC
192040022	B-8YC
192040024	C-1YC
192040026	C-2YCX
192040028	C-3YC
192040030	C-5YC
192040031	C-8YC
191640011	SA-2YCX
191640042	SB-2YCX
191640074	SC-2YCX

WAS 65252-01C/-02C	EC NO: ETIC2003-0305	DRWN:DMYRCK 2003/05/16	CHKD:RWD 2003/05/16	APPR:RDEROSS 2003/05/16	DESCRIPTION	REV
					QUALITY SYMBOLS	
					▲ = 0	
					△ = 0	
					GENERAL TOLERANCES (UNLESS SPECIFIED)	
		mm	INCH			
4 PLACES	±	---	±	---		
3 PLACES	±	---	±	.005		
2 PLACES	±	0.13	±	.01		
1 PLACE	±	0.25	±	---		
					ANGULAR	±1/2°
					DRAFT WHERE APPLICABLE	
					MUST REMAIN WITHIN DIMENSIONS	
					APPROVED BY	RWD
					DATE	03/05/14
					CHECKED BY	RWD
					DATE	03/05/14
					DRAWN BY	RWD
					DATE	03/05/14
					DIMENSION STYLE	IN/MM
					SCALE	NTS
					DESIGN UNITS	INCH
					THIRD ANGLE PROJECTION	
					REVISION	REVISE ON CAD ONLY
					TITLE	3-WAY CONNECTOR ASSEMBLY
					MATERIAL NO.	MOLEX INCORPORATED
					DOCUMENT NO.	SD-19204-001
					SHEET NO.	1 OF 1