

T-46-13-29



Am27C64

8,192 x 8-Bit CMOS EPROM

Advanced
Micro
Devices

DISTINCTIVE CHARACTERISTICS

- Fast access time—55 ns
- Low power consumption:
-100 μ A maximum standby current
- Programming voltage: 12.75 V
- Single +5-V power supply
- JEDEC-approved pinout
- $\pm 10\%$ power supply tolerance
- Fast Flashrite™ programming
- Latch-up protected to 100 mA from -1 V to $V_{CC} + 1$ V

GENERAL DESCRIPTION

The Am27C64 is a 64K-bit, ultraviolet erasable programmable read-only memory. It is organized as 8,192 words by 8 bits per word, operates from a single +5-V supply, has a static standby mode, and features fast single address location programming. Products are available in windowed ceramic DIP and LCC packages, as well as plastic one-time programmable (OTP) packages.

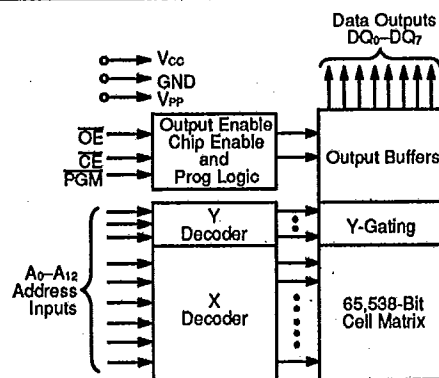
Typically, any byte can be accessed in less than 55 ns, allowing operation with high-performance microprocessors without any WAIT states. The Am27C64 offers

separate Output Enable (\overline{OE}) and Chip Enable (\overline{CE}) controls, thus eliminating bus contention in a multiple bus microprocessor system.

AMD's CMOS process technology provides high speed, low power, and high noise immunity. Typical power consumption is only 100 mW in active mode, and 250 μ W in standby mode.

All signals are TTL levels, including programming signals. Bit locations may be programmed singly, in blocks, or at random.

BLOCK DIAGRAM



11419-001A

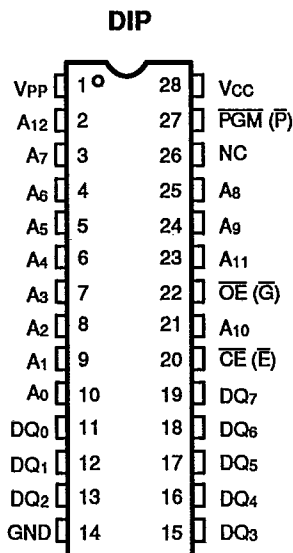
PRODUCT SELECTOR GUIDE

Family Part No.	Am27C64						
Ordering Part Number							
±5% V_{CC} Tolerance	-55	-75					-255
±10% V_{CC} Tolerance	-	-70	-90	-120	-150	-200	-250
Max. Access Time (ns)	55	70	90	120	150	200	250
\overline{CE} (\overline{E}) Access (ns)	55	70	90	120	150	200	250
\overline{OE} (\overline{G}) Access (ns)	35	40	40	50	65	75	100

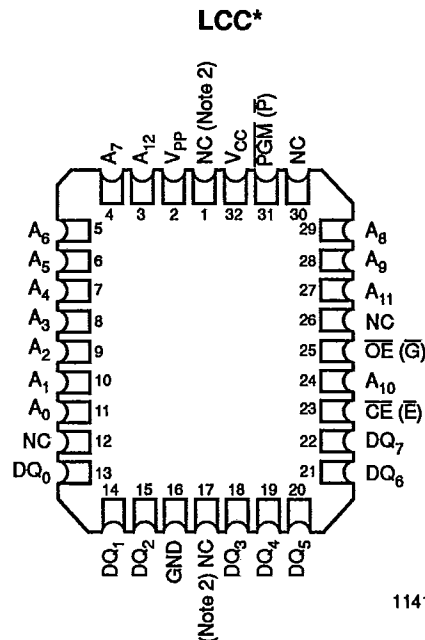
CONNECTION DIAGRAMS

T-46-13-29

Top View



11419-002A



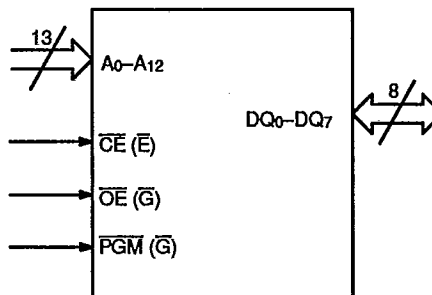
11419-003A

* Also Available in a 32-pin rectangular plastic leaded chip carrier

Notes:

1. JEDEC nomenclature is in parantheses.
2. Don't use (DU) for PLCC.

LOGIC SYMBOL



11419-004A

PIN DESCRIPTION

- A₀ - A₁₂ = Address Inputs
- CE (E-bar) = Chip Enable Input
- DQ₀ - DQ₇ = Data Inputs/Outputs
- OE (G-bar) = Output Enable Input
- PGM (P-bar) = Program Enable Input
- V_{cc} = Vcc Supply Voltage
- V_{pp} = Program Supply Voltage
- GND = Ground
- NC = No Internal Connection
- DU = No External Connection

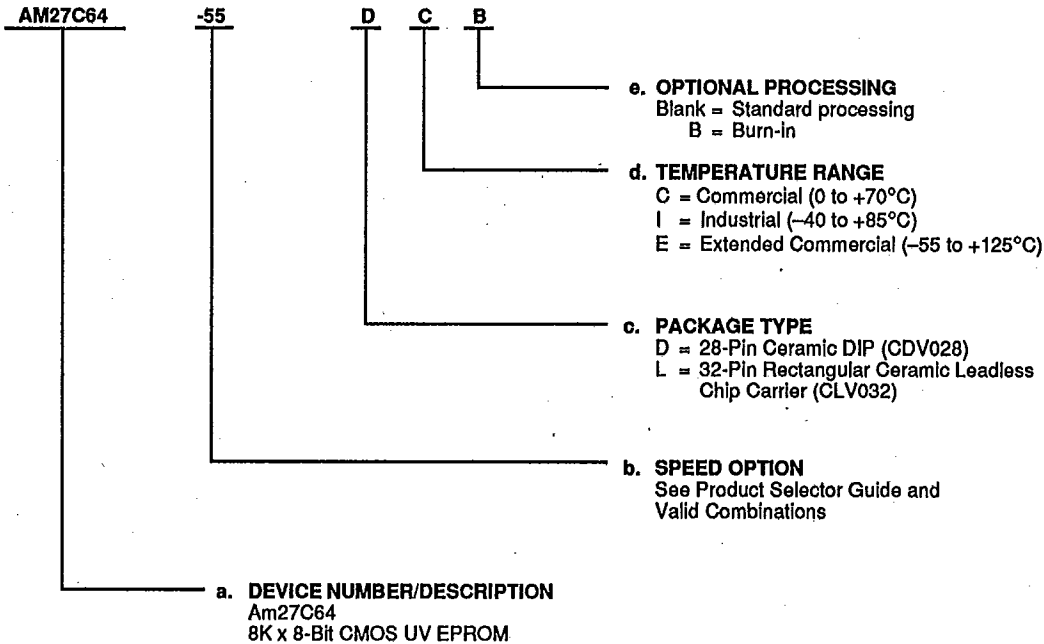
ORDERING INFORMATION

T-46-13-29

Standard Products

AMD standard products are available in several packages and operating ranges. The order number (Valid Combination) is formed by a combination of:

- a. Device Number
- b. Speed Option
- c. Package Type
- d. Temperature Range
- e. Optional Processing



Valid Combinations	
AM27C64-55	DC, DCB,
AM27C64-70	DI, DIB, LC,
AM27C64-75	LCB, LI, LIB
AM27C64-90	DC, DCB, DI,
AM27C64-120	DIB, DE, DEB,
AM27C64-150	LC, LCB, LI,
AM27C64-200	LIB, LE, LEB,
AM27C64-255	

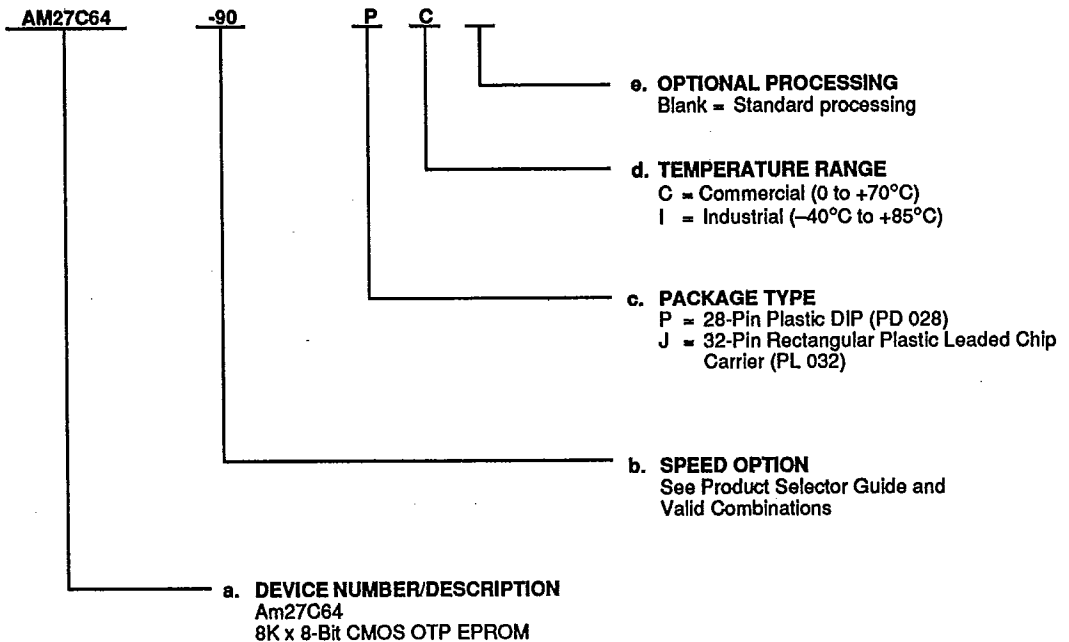
Valid Combinations

Valid Combinations list configurations planned to be supported in volume for this device. Consult the local AMD sales office to confirm availability of specific valid combinations or to check on newly released combinations.

ORDERING INFORMATION**OTP Products**

AMD standard products are available in several packages and operating ranges. The order number (Valid Combination) is formed by a combination of:

- a. Device Number
- b. Speed Option
- c. Package Type
- d. Temperature Range
- e. Optional Processing



Valid Combinations	
AM27C64-90	JC, PC
AM27C64-120	JC, PC, JI, PI
AM27C64-150	
AM27C64-200	
AM27C64-255	

Valid Combinations

Valid Combinations list configurations planned to be supported in volume for this device. Consult the local AMD sales office to confirm availability of specific valid combinations or to check on newly released combinations.

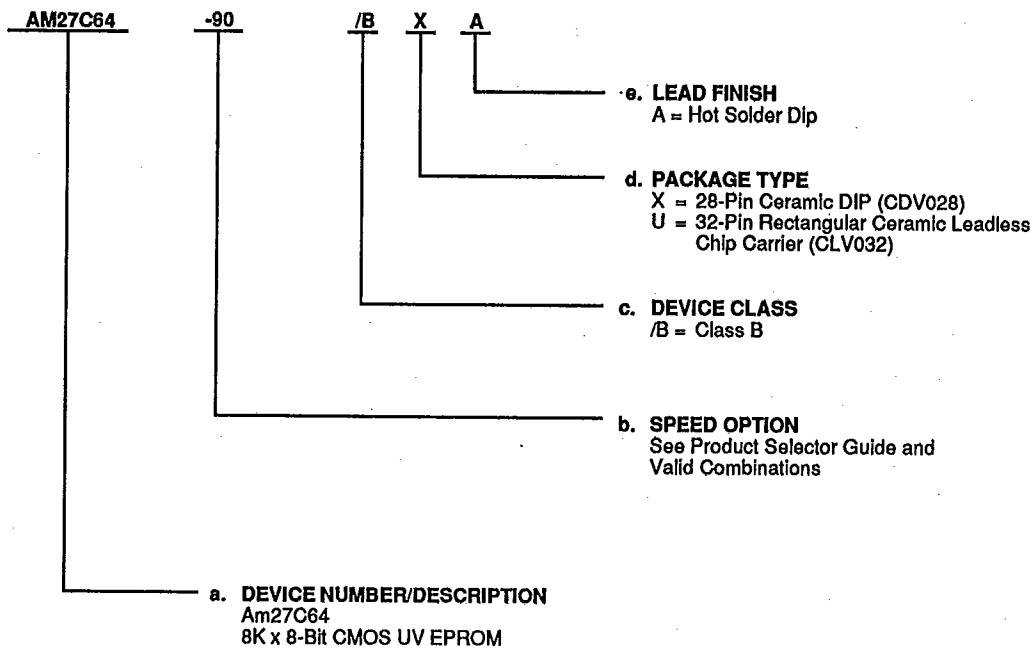
MILITARY ORDERING INFORMATION

T-46-13-29

APL Products

AMD products for Aerospace and Defense applications are available in several packages and operating ranges. APL (Approved Products List) products are fully compliant with MIL-STD-883C requirements. The order number (Valid Combination) is formed by a combination of:

- a. Device Number
- b. Speed Option
- c. Package Type
- d. Temperature Range
- e. Lead Finish



Valid Combinations	
AM27C64-90	/BXA, /BUA
AM27C64-120	
AM27C64-150	
AM27C64-200	
AM27C64-250	

Valid Combinations

Valid Combinations list configurations planned to be supported in volume for this device. Consult the local AMD sales office to confirm availability of specific valid combinations, or to check on newly released combinations.

Group A Tests

Group A tests consist of Subgroups 1, 2, 3, 7, 8, 9, 10, 11.

FUNCTIONAL DESCRIPTION**Erasing the Am27C64**

In order to clear all locations of their programmed contents, it is necessary to expose the Am27C64 to an ultraviolet light source. A dosage of 15 W seconds/cm² is required to completely erase an Am27C64. This dosage can be obtained by exposure to an ultraviolet lamp-wavelength of 2537 Angstroms (Å)-with intensity of 12,000 μW/cm² for 15 to 20 minutes. The Am27C64 should be directly under and about one inch from the source and all filters should be removed from the UV light source prior to erasure.

It is important to note that the Am27C64, and similar devices, will erase with light sources having wavelengths shorter than 4000 Å. Although erasure times will be much longer than with UV sources at 2537 Å, nevertheless the exposure to fluorescent light and sunlight will eventually erase the Am27C64 and exposure to them should be prevented to realize maximum system reliability. If used in such an environment, the package window should be covered by an opaque label or substance.

Programming the Am27C64

Upon delivery, or after each erasure, the Am27C64 has all 65,536 bits in the "ONE", or HIGH state. "ZEROS" are loaded into the Am27C64 through the procedure of programming.

The programming mode is entered when 12.75 ± 0.25 V is applied to the V_{PP} pin, \overline{CE} is at V_{IL}, and PGM is at V_{IL}.

For programming, the data to be programmed is applied 8 bits in parallel to the data output pins.

The Flashrite programming algorithm (shown in Figure 1) reduces programming time by using initial 100 μs pulses followed by a byte verification to determine whether the byte has been successfully programmed. If the data does not verify, an additional pulse is applied for a maximum of 25 pulses. This process is repeated while sequencing through each address of the EPROM.

The Flashrite programming algorithm programs and verifies at V_{CC} = 6.25 V and V_{PP} = 12.75 V. After the final address is completed, all bytes are compared to the original data with V_{CC} = V_{PP} = 5.25 V.

Program Inhibit

Programming of multiple Am27C64s in parallel with different data is also easily accomplished. Except for \overline{CE} , all like inputs of the parallel Am27C64 may be common. A TTL low-level program pulse applied to an Am27C64 PGM input with V_{PP} = 12.75 ± 0.25 and \overline{CE} LOW will program that Am27C64. A high-level \overline{CE} input inhibits the other Am27C64s from being programmed.

Program Verify

A verify should be performed on the programmed bits to determine that they were correctly programmed. The

verify should be performed with \overline{OE} and \overline{CE} at V_{IL}. PGM at V_{IH}, and V_{PP} between 12.5 V and 13.0 V.

Auto Select Mode

The auto select mode allows the reading out of a binary code from an EPROM that will identify its manufacturer and type. This mode is intended for use by programming equipment for the purpose of automatically matching the device to be programmed with its corresponding programming algorithm. This mode is functional in the 25°C ± 5°C ambient temperature range that is required when programming the Am27C64.

To activate this mode, the programming equipment must force 12.0 ± 0.5 V on address line A₉ of the Am27C64. Two identifier bytes may then be sequenced from the device outputs by toggling address line A₀ from V_{IL} to V_{IH}. All other address lines must be held at V_{IL} during auto select mode.

Byte 0 (A₀ = V_{IL}) represents the manufacturer code, and byte 1 (A₀ = V_{IH}), the device identifier code. For the Am27C64, these two identifier bytes are given in the Mode Select table. All identifiers for manufacturer and device codes will possess odd parity, with the MSB (DQ₇) defined as the parity bit.

Read Mode

The Am27C64 has two control functions, both of which must be logically satisfied in order to obtain data at the outputs. Chip Enable (\overline{CE}) is the power control and should be used for device selection. Output Enable (\overline{OE}) is the output control and should be used to gate data to the output pins, independent of device selection. Assuming that addresses are stable, address access time (t_{ACC}) is equal to the delay from \overline{CE} to output (t_{CE}). Data is available at the outputs t_{OE} after the falling edge of \overline{OE} , assuming that \overline{CE} has been LOW and addresses have been stable for at least t_{ACC} - t_{CE}.

Standby Mode

The Am27C64 has a CMOS standby mode which reduces the maximum V_{CC} current to 100 μA. It is placed in CMOS-standby when \overline{CE} is at V_{CC} ± 0.3 V. The Am27C64 also has a TTL-standby mode which reduces the maximum V_{CC} current to 1.0 mA. It is placed in TTL-standby when \overline{CE} is at V_{IH}. When in standby mode, the outputs are in a high-impedance state, independent of the \overline{OE} input.

Output OR-Tieing

To accommodate multiple memory connections, a two-line control function is provided to allow for:

1. Low memory power dissipation, and
2. Assurance that output bus contention will not occur.

It is recommended that \overline{CE} be decoded and used as the primary device-selecting function, while \overline{OE} be made a common connection to all devices in the array and connected to the READ line from the system control bus. This assures that all deselected memory devices are in their low-power standby mode and that the output pins are only active when data is desired from a particular memory device.

System Applications

During the switch between active and standby conditions, transient current peaks are produced on the rising

and falling edges of Chip Enable. The magnitude of these transient current peaks is dependent on the output capacitance loading of the device. At a minimum, a 0.1 μF ceramic capacitor (high frequency, low inherent inductance) should be used on each device between V_{CC} and GND to minimize transient effects. In addition, to overcome the voltage drop caused by the inductive effects of the printed circuit board traces on EPROM arrays, a 4.7 μF bulk electrolytic capacitor should be used between V_{CC} and GND for each eight devices. The location of the capacitor should be close to where the power supply is connected to the array.

T-46-13-29

Mode Select Table

Pins		\overline{CE}	\overline{OE}	\overline{PGM}	A0	A9	V_{PP}	Outputs
Read		V_{IL}	V_{IL}	X	X	X	V_{CC}	DOUT
Output Disable		V_{IL}	V_{IH}	X	X	X	V_{CC}	High Z
Standby (TTL)		V_{IH}	X	X	X	X	V_{CC}	High Z
Standby (CMOS)		$V_{CC} \pm 0.3 \text{ V}$	X	X	X	X	V_{CC}	High Z
Program		V_{IL}	X	V_{IL}	X	X	V_{PP}	DIN
Program Verify		V_{IL}	V_{IL}	V_{IH}	X	X	V_{PP}	DOUT
Program Inhibit		V_{IH}	X	X	X	X	V_{PP}	High Z
Auto Select (Note 3)	Manufacturer Code	V_{IL}	V_{IL}	X	V_{IL}	V_{H}	V_{CC}	01H
	Device Code	V_{IL}	V_{IL}	X	V_{IH}	V_{H}	V_{CC}	15H

Notes:

1. X can be either V_{IL} or V_{IH}
2. $V_{H} = 12.0 \text{ V} \pm 0.5 \text{ V}$
3. $A_1-A_8 = A_{10}-A_{12} = V_{IL}$
4. See DC Programming Characteristics for V_{PP} voltage during programming.

ABSOLUTE MAXIMUM RATINGS

Storage Temperature:	
OTP Products	-65 to +125°C
All Other Products	-65 to +150°C
Ambient Temperature with Power Applied	-55 to +125°C
Voltage with Respect to Ground:	
All pins except A ₉ , V _{PP} , and V _{CC} (Note 1)	-0.6 to V _{CC} + 0.6 V
A ₉ and V _{PP} (Note 2)	-0.6 to 13.5 V
V _{CC}	-0.6 to 7.0 V

Stresses above those listed under "Absolute Maximum Ratings" may cause permanent damage to the device. This is a stress rating only; functional operation of the device at these or any other conditions above those indicated in the operational sections of this specification is not implied. Exposure of the device to absolute maximum rating conditions for extended periods may affect device reliability.

Notes:

- During transitions the inputs may overshoot GND to -2.0 V for periods of up to 20 ns. Maximum DC voltage on input and I/O may overshoot to V_{CC} + 2.0 V for periods up to 20 ns.
- During transitions, A₉ and V_{PP} may overshoot GND to -2.0 V for periods of up to 20 ns. A₉ and V_{PP} must not exceed 13.5 V for any period of time.

OPERATING RANGES

T-46-13-29

Commercial (C) DevicesCase Temperature (T_c) 0 to +70°C**Industrial (I) Devices**Case Temperature (T_c) -40 to +85°C**Extended Commercial (E) Devices**Case Temperature (T_c) -55 to +125°C**Military (M) Devices**Case Temperature (T_c) -55 to +125°C**Supply Read Voltages:**V_{CC}/V_{PP} for Am27C64-XX5 +4.75 to +5.25 VV_{CC}/V_{PP} for Am27C64-XX0 +4.50 to +5.50 V

Operating ranges define those limits between which the functionality of the device is guaranteed.

DC CHARACTERISTICS over operating range unless otherwise specified (Notes 1, 4, 5 & 8)**TTL and NMOS Inputs**

Parameter Symbol	Parameter Description	Test Conditions	Min.	Max.	Unit
V _{OH}	Output HIGH Voltage	I _{OH} = -400 mA	2.4		V
V _{OL}	Output LOW Voltage	I _{OL} = 2.1 mA		0.45	V
V _{IH}	Input HIGH Voltage		2.0	V _{CC} + 0.5	V
V _{IL}	Input LOW Voltage		-0.5	+0.8	V
I _{LI}	Input Load Current	V _{IN} = 0 V to V _{CC}			μA
				C/I Devices	1.0
				E/M Devices	5.0
I _{LO}	Output Leakage Current	V _{OUT} = 0 V to V _{CC}			μA
				C/I Devices	10
				E/M Devices	10
I _{CC1}	V _{CC} Active Current (Note 5)	$\overline{CE} = V_{IL}$, f = 5 MHz, I _{OUT} = 0 mA (Open Outputs)			mA
				C/I Devices	30
				E/M Devices	30
I _{CC2}	V _{CC} Standby Current	$\overline{CE} = V_{IH}$, $\overline{OE} = V_{IL}$			mA
				C/I Devices	1.0
				E/M Devices	1.0
I _{PP1}	V _{PP} Supply Current (Read) (Note 6)	$\overline{CE} = \overline{OE} = V_{IL}$, V _{PP} = V _{CC}		100	μA

DC CHARACTERISTICS over operating range unless otherwise specified (Continued)**CMOS Inputs**

T-46-13-29

Parameter Symbol	Parameter Description	Test Conditions	Min.	Max.	Unit
V _{OH}	Output HIGH Voltage	I _{OH} = -400 μ A	2.4		V
V _{OL}	Output LOW Voltage	I _{OL} = 2.1 mA		0.45	V
V _{IH}	Input HIGH Voltage		V _{CC} - 0.3	V _{CC} + 0.3	V
V _{IL}	Input LOW Voltage		-0.5	+0.8	V
I _{LI}	Input Load Current	V _{IN} = 0 V to V _{CC}			μ A
			C/I Devices	1.0	
			E/M Devices	5.0	
I _{LO}	Output Leakage Current	V _{OUT} = 0 V to V _{CC}			μ A
			C/I Devices	10	
			E/M Devices	10	
I _{CC1}	V _{CC} Active Current (Note 5)	\overline{CE} = V _{IL} , f = 5 MHz, I _{OUT} = 0 mA (Open Outputs)			mA
			C/I Devices	25	
			E/M Devices	25	
I _{CC2}	V _{CC} Standby Current	\overline{CE} = V _{CC} \pm 0.3 V			μ A
			C/I Devices	100	
			E/M Devices	120	
I _{PP1}	V _{PP} Supply Current (Read) (Note 6)	\overline{CE} = \overline{OE} = V _{IL} , V _{PP} = V _{CC}		100	μ A

CAPACITANCE (Notes 2, 3, & 7)

Parameter Symbol	Parameter Description	Test Conditions	Typ.	Max.	Unit
C _{IN1}	Address Input Capacitance	V _{IN} = 0 V	8	12	pF
C _{IN2}	\overline{OE} Input Capacitance	V _{IN} = 0 V	8	12	pF
C _{IN3}	\overline{CE} Input Capacitance	V _{IN} = 0 V	9	12	pF
C _{OUT}	Output Capacitance	V _{OUT} = 0 V	8	12	pF

Notes:

- V_{CC} must be applied simultaneously or before V_{PP}, and removed simultaneously or after V_{PP}.
- Typical values are for nominal supply voltages.
- This parameter is only sampled and not 100% tested.
- Caution:** The Am27C64 must not be removed from, or inserted into, a socket or board when V_{PP} or V_{CC} is applied.
- I_{CC1} is tested with \overline{OE} = V_{IH} to simulate open outputs.
- Maximum active power usage is the sum of I_{CC} and I_{PP}.
- T_A = 25°C, f = 1 MHz.
- During transitions, the inputs may overshoot to -2.0 V for periods less than 20 ns.
Maximum DC voltage on input pins may overshoot to V_{CC} + 2.0 V for periods less than 20 ns.

SWITCHING CHARACTERISTICS over operating ranges unless otherwise specified
 (Notes 1, 3, & 4)

T-46-13-29

Parameter Symbols		Parameter Description	Test Conditions	Am27C64							Unit	
JEDEC	Standard			-55	-70, -75	-90	-120	-150	-200	-255 -250		
t _{AVQV}	t _{ACC}	Address to Output Delay	$\overline{CE} = \overline{OE} = V_{IL}$	Min.								ns
				Max.	55	70	90	120	150	200	250	
t _{ELQV}	t _{CE}	Chip Enable to Output Delay	$\overline{OE} = V_{IL}$	Min.								ns
				Max.	55	70	90	120	150	200	250	
t _{GLQV}	t _{OE}	Output Enable to Output Delay	$\overline{CE} = V_{IL}$	Min.								ns
				Max.	35	40	40	50	65	75	100	
t _{EHZQ} , t _{GHQZ}	t _{DF}	Output Enable HIGH to Output Float (Note 2)		Min.								ns
				Max.	25	25	25	30	30	30	30	
t _{AXQX}	t _{OH}	Output Hold from Addresses, \overline{CE} , or \overline{OE} , whichever occurred first		Min.	0	0	0	0	0	0	0	ns
				Max.								

Notes:

- V_{CC} must be applied simultaneously or before V_{PP}, and removed simultaneously or after V_{PP}.
- This parameter is only sampled and not 100% tested.
- Caution:** The Am27C64 must not be removed from, or inserted into, a socket or board when V_{PP} or V_{CC} is applied.
- For the -55, -70, and -75:

Output Load: 1 TTL gate and C_L = 30 pF,

Input Rise and Fall Times: 20 ns,

Input Pulse Levels: 0 to 3 V,

Timing Measurement Reference Level: 1.5 V for inputs and outputs.

For all other versions:

Output Load: 1 TTL gate and C_L = 100 pF,

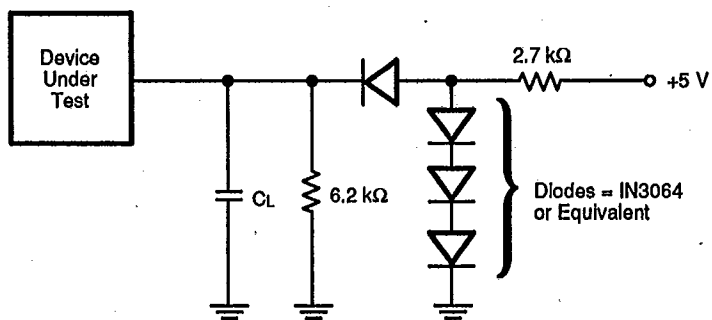
Input Rise and Fall Times: 20 ns,

Input Pulse Levels: 0.45 to 2.4 V,

Timing Measurement Reference Level: 0.8 V and 2 V for inputs and outputs.

SWITCHING TEST CIRCUIT

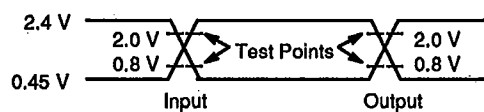
T-46-13-29



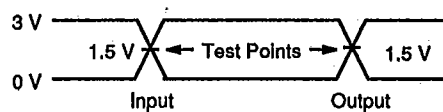
11419-005A

$C_L = 100$ pF including jig capacitance (30 pF for -55, -70, and -75)

SWITCHING TEST WAVEFORMS



AC Testing: Inputs are driven at 2.4 V for a logic "1" and 0.45 V for a logic "0". Input pulse rise and fall times are ≤ 20 ns.



AC Testing: Inputs are driven at 3.0 V for a logic "1" and 0 V for a logic "0". Input pulse rise and fall times are ≤ 20 ns for -55, -70, and -75 devices.

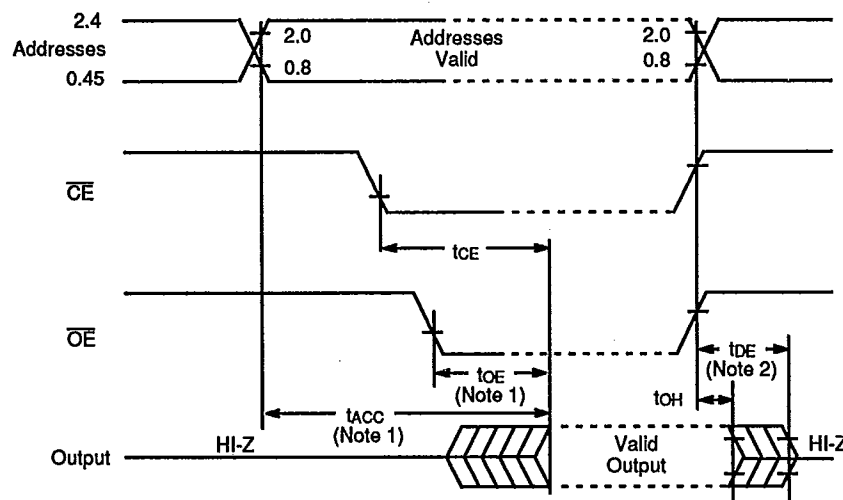
11419-006A

SWITCHING WAVEFORMS
Key to Switching Waveforms

T-46-T3-29

WAVEFORM	INPUTS	OUTPUTS
	Must be Steady	Will be Steady
	May Change from H to L	Will be Changing from H to L
	May Change from L to H	Will be Changing from L to H
	Don't Care, Any Change Permitted	Changing, State Unknown
	Does Not Apply	Center Line is High-Impedance "Off" State

KS000010



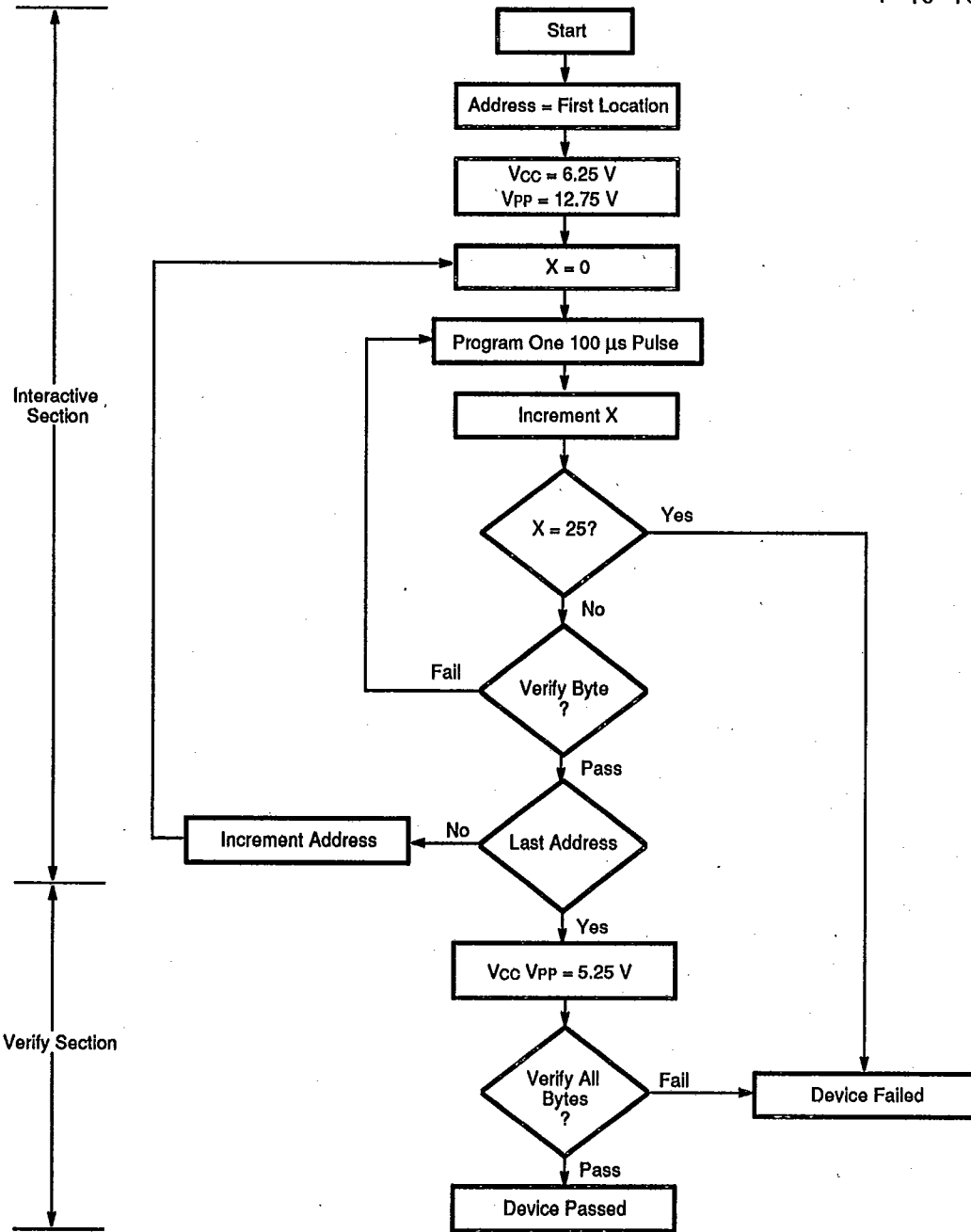
Notes:

1. \overline{OE} may be delayed up to $t_{ACC} - t_{OE}$ after the falling edge of \overline{CE} without impact on t_{ACC} .
2. t_{DF} is specified from \overline{OE} or \overline{CE} , whichever occurs first.

11419-007A

PROGRAMMING FLOW CHART

T-46-13-29



11419-008A

Figure 1. Flashrite Programming Flow Chart

DC PROGRAMMING CHARACTERISTICS ($T_A = +25^\circ\text{C} \pm 5^\circ\text{C}$) (Notes 1, 2, & 3) T-46-13-29

Parameter Symbol	Parameter Description	Test Conditions	Min.	Max.	Unit
I_{LI}	Input Current (All Inputs)	$V_{IN} = V_{IL}$ or V_{IH}		10.0	μA
V_{IL}	Input LOW Level (All Inputs)		-0.3	0.8	V
V_{IH}	Input HIGH Level		2.0	$V_{CC} + 0.5$	V
V_{OL}	Output LOW Voltage During Verify	$I_{OL} = 2.1 \text{ mA}$		0.45	V
V_{OH}	Output HIGH Voltage During Verify	$I_{OH} = -400 \mu\text{A}$	2.4		V
V_H	A_9 Auto Select Voltage		11.5	12.5	V
I_{CC3}	V_{CC} Supply Current (Program & Verify)			50	mA
I_{PP2}	V_{PP} Supply Current (Program)	$\overline{CE} = V_{IL}, \overline{OE} = V_{IH}$		30	mA
V_{CC}	Flashrite Supply Voltage		6.00	6.50	V
V_{PP}	Flashrite Programming Voltage		12.5	13.0	V

SWITCHING PROGRAMMING CHARACTERISTICS ($T_A = +25^\circ\text{C} \pm 5^\circ\text{C}$) (Notes 1, 2, & 3)

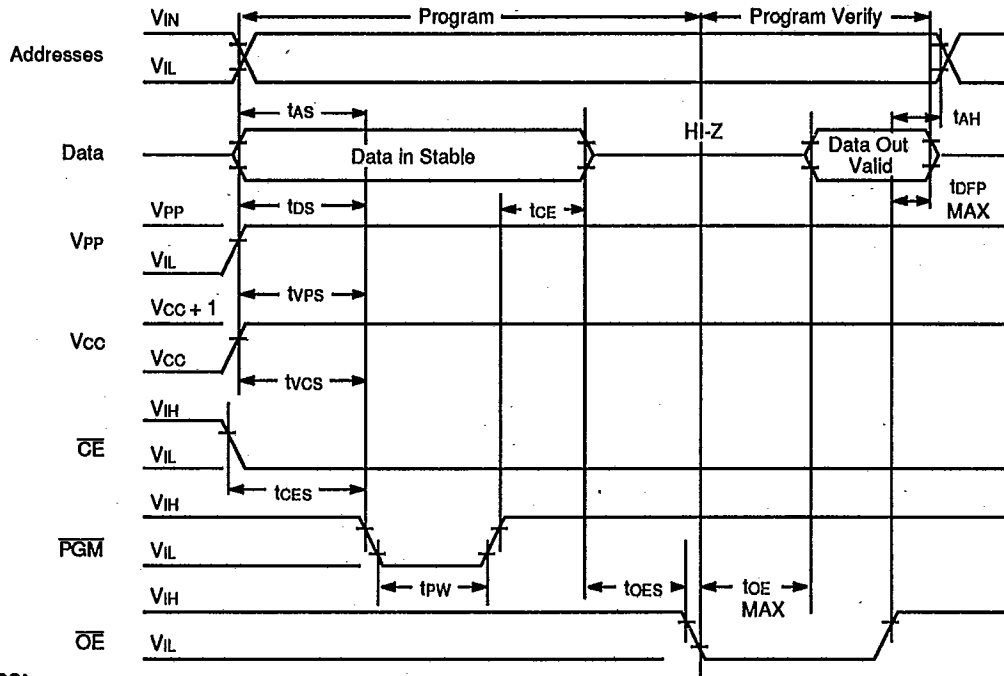
Parameter Symbols		Parameter Description	Min.	Max.	Unit
JEDEC	Standard				
t_{AVEL}	t_{AS}	Address Setup Time	2		μs
t_{DZGL}	t_{OES}	\overline{OE} Setup Time	2		μs
t_{ELPL}	t_{CES}	\overline{CE} Setup Time	2		μs
t_{DVEL}	t_{DS}	Data Setup Time	2		μs
t_{GHAX}	t_{AH}	Address Hold Time	0		μs
t_{EHDX}	t_{DH}	Data Hold Time	2		μs
t_{GHQZ}	t_{DFP}	Output Enable to Output Float Delay	0	100	ns
t_{VPS}	t_{VPS}	V_{PP} Setup Time	2		μs
t_{LEH1}	t_{PW}	PGM Program Pulse Width	95	105	μs
t_{VCS}	t_{VCS}	V_{CC} Setup Time	2		μs
t_{GLQV}	t_{OE}	Data Valid from \overline{OE}		100	ns

Notes:

- V_{CC} must be applied simultaneously or before V_{PP} , and removed simultaneously or after V_{PP} .
- When programming the Am27C64, a 0.1 μF capacitor is required across V_{PP} and ground to suppress spurious voltage transients which may damage the device.
- Programming characteristics are sampled but not 100% tested at worst-case conditions.

PROGRAMMING ALGORITHM WAVEFORMS (Notes 1 & 2)

T-46-13-29



Notes:

1. The input timing reference level is 0.8 V for V_{IL} and 2 V for V_{IH}.
2. t_{OE} and t_{DFP} are characteristics of the device, but must be accommodated by the programmer.