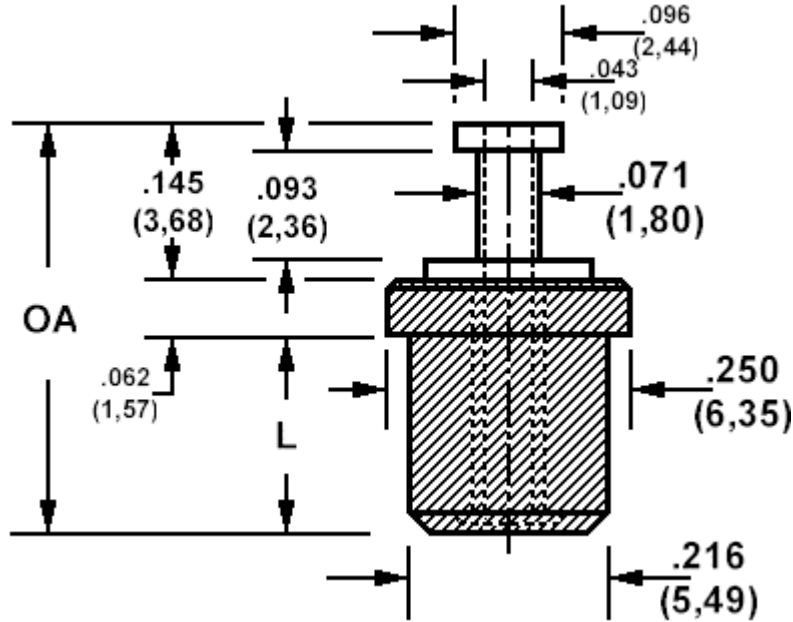


571-4113 Insulated solder terminal, Turreted, Thru hole

Recommended mounting hole .203 (5,16)



How to order code

571-4113-XX-YY-19

Basic Part No (XX = Panel thickness, YY = plating finish. See tables for options)

Basic Part No.		OA (ref)	L	Panel Thickness (XX)
571-4113	-01	.427 (10,85)	.220 (5,59)	.062 (1,59) to .125 (3,18)

Component	Material	Finish (YY)	
		-01	-05
Terminal	Brass	Silver	Electro Solder
Insulator	Teflon - white		

Additional Specifications	
Flashover VRMS at Sea Level	4500
Capacitance (pF)	1.0

Teflon is a registered trademark of Dupont