

PLEASE CHECK WWW.MOLEX.COM FOR LATEST PART INFORMATION

Part Number: [5016283591](#)
Status: **Active**
Description: 0.30mm (.012") Pitch Easy-On™ Type FPC Connector, 0.90mm (.035") Mated Height, Right Angle, SMT, Bottom Contact Style, 35 Circuits, Lead-free

Documents:

[3D Model](#) [Product Specification PS-501628-001 \(PDF\)](#)
[Drawing \(PDF\)](#) [RoHS Certificate of Compliance \(PDF\)](#)

General

Product Family FFC/FPC Connectors
 Series [501628](#)
 Comments FPC with tabs
 Product Name Easy-On™

Physical

Circuits (Loaded) 35
 Contact Position Bottom
 Durability (mating cycles max) 10
 Entry Angle 90° Angle
 Mated Height (in) 0.035 In
 Mated Height (mm) 0.90 mm
 Material - Metal Copper Alloy
 Material - Plating Mating Gold
 Number of Rows 1
 Orientation Right Angle
 PCB Locator No
 PCB Retention Yes
 Packaging Type Embossed Tape on Reel
 Pitch - Mating Interface (in) 0.012 In
 Pitch - Mating Interface (mm) 0.30 mm
 Polarized to PCB Yes
 Stackable No
 Temperature Range - Operating -25°C to +85°C
 Termination Interface: Style Surface Mount
 Wire/Cable Type FPC only

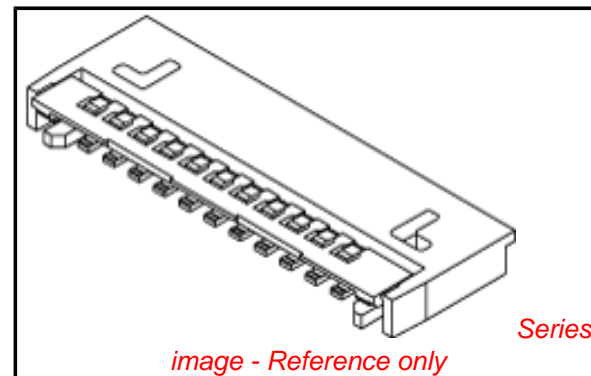
Electrical

Current - Maximum per Contact 0.2A
 Voltage - Maximum 50V

Material Info

Reference - Drawing Numbers

Product Specification PS-501628-001, RPS-501628-001, RPS-501628-002, RPS-501628-003, RPS-501628-004
 Sales Drawing SD-501628-001, SD-501628-003



EU RoHS

ELV and RoHS Compliant

REACH SVHC

Not Reviewed

Halogen-Free

Status

Not Reviewed

Need more information on product environmental compliance?

Email productcompliance@molex.com
 For a multiple part number RoHS Certificate of Compliance, [click here](#)

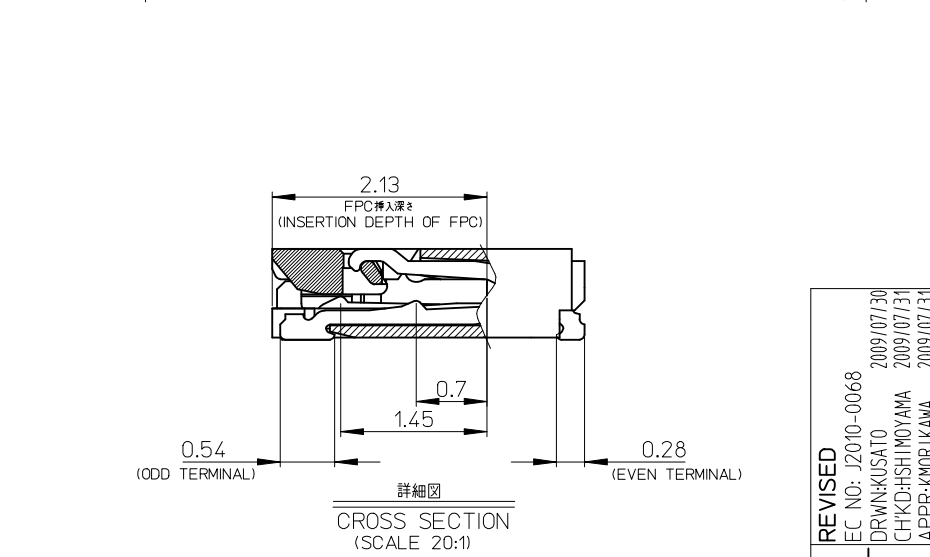
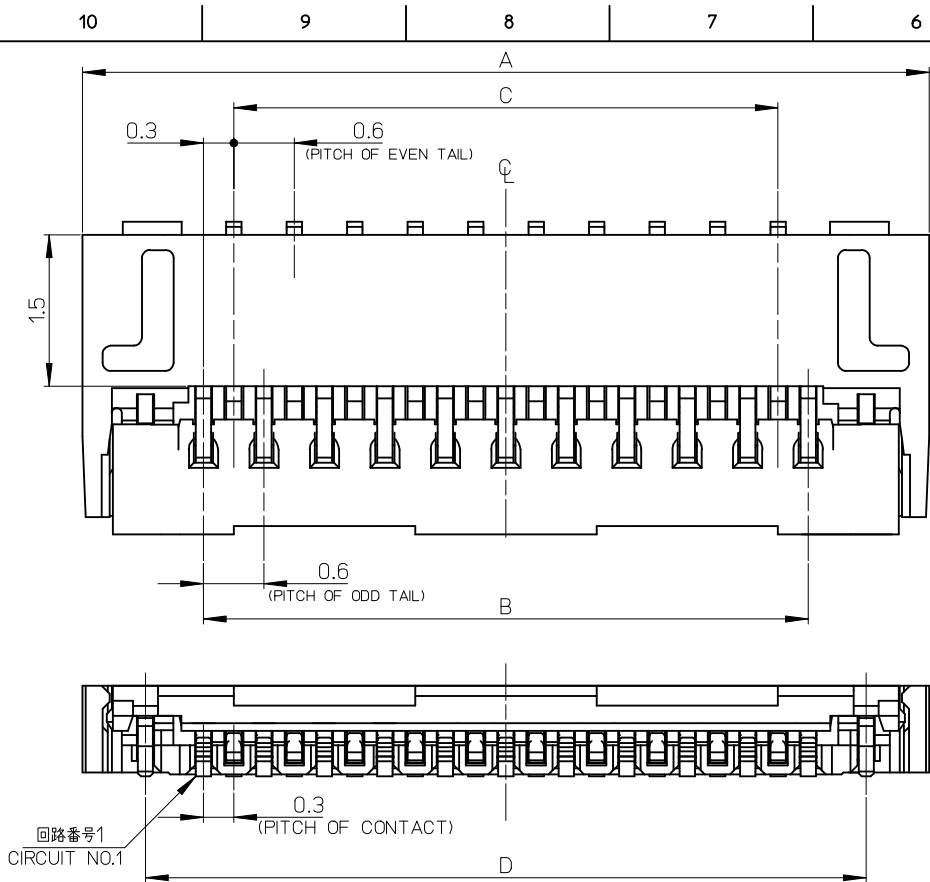
Please visit the [Contact Us](#) section for any non-product compliance questions.

China RoHS



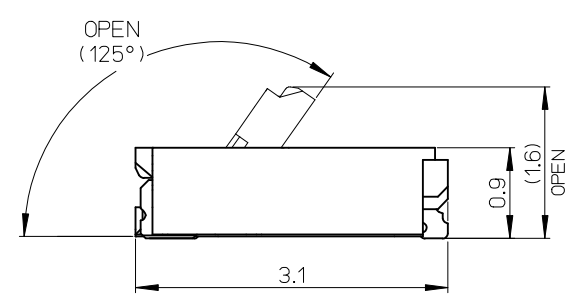
Search Parts in this Series

[501628Series](#)



注記
NOTES:
1.材質
MATERIAL
ハウジング:LCP(液晶ポリマー)、ガラス充填、UL94V-0
HOUSING:LCP(LIQUID CRYSTAL POLYMER),
GLASS FILLED,UL94V-0
アクチュエータ:ナイロン、ガラス充填、UL94V-0
ACTUATOR:NYLON(POLYAMIDE),
GLASS FILLED,UL94V-0
ターミナル:銅合金(t=0.15)
TERMINAL:COPPER ALLOY(t=0.15)
金具:銅合金(t=0.15)
NAIL:COPPER ALLOY(t=0.15)

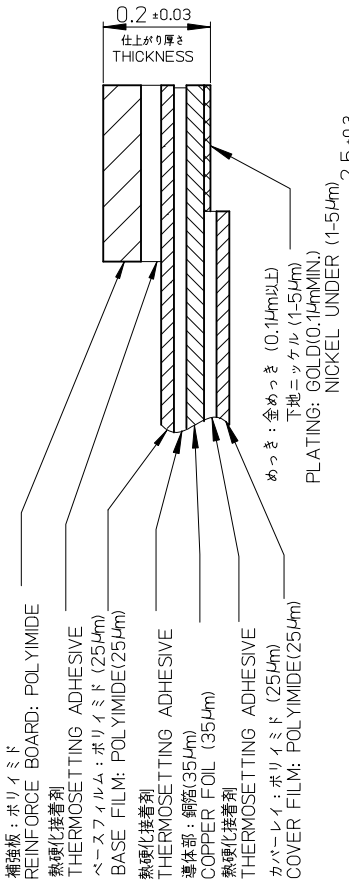
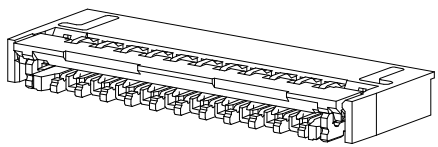
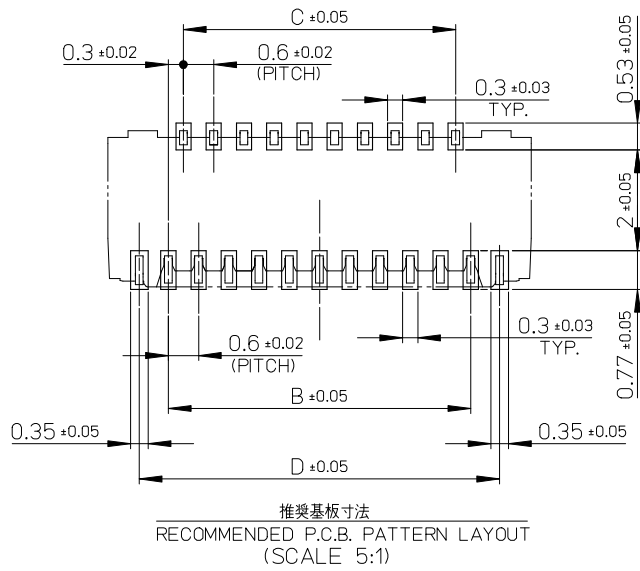
2.めっき仕様
PLATING
ターミナル
TERMINAL
部分金めっき
SEPARATED GOLD PLATING
下地ニッケルめっき
UNDER PLATING:NICKEL PLATING
金具
NAIL
銅めっき
TIN PLATING
下地ニッケルめっき
UNDER PLATING:NICKEL PLATING
3.平坦度は、0.1ミリ以下とする。
TAILS COPLANARITY TO BE 0.1 MAXIMUM.
4.ELV及びRoHS適合品
ELV AND RoHS COMPLIANT



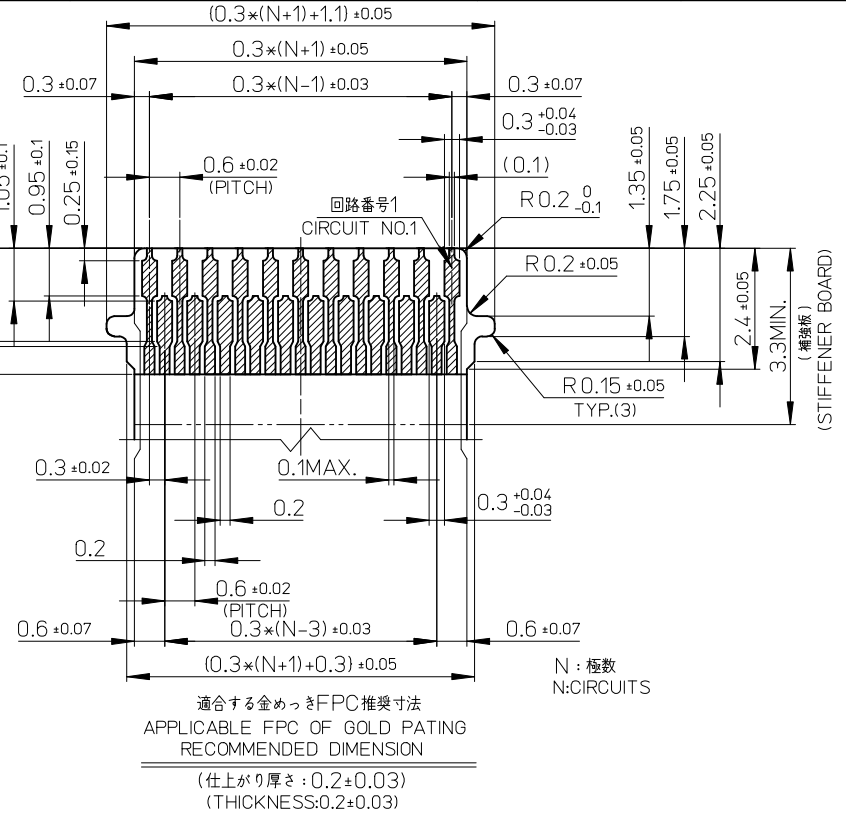
0.10	16.15	14.4	15	17.4	501628-5191	51
0.089	14.35	12.6	13.2	15.6	501628-4591	45
0.078	12.55	10.8	11.4	13.8	501628-3991	39
0.075	11.95	10.2	10.8	13.2	501628-3791	37
0.071	11.35	9.6	10.2	12.6	501628-3591	35
0.067	10.75	9.0	9.6	12.0	501628-3391	33
0.064	10.15	8.4	9	11.4	501628-3191	31
0.056	8.95	7.2	7.8	10.2	501628-2791	27
0.046	7.15	5.4	6	8.4	501628-2191	21
0.028	4.15	2.4	3	5.4	501628-1191	11
重さ (g) WEIGHT(g)	D	C	B	A	EMBOSSED PACKAGE オーダー番号 ORDER No.	極数 CIRCUITS

CONNECTOR SERIES No. 501628-**11

REVISED EC NO: J2010-0068 DRW:KUSATO 2009/07/30 CHK:D:HSIIMOYAMA 2009/07/31 APPR:KMORIKAWA 2009/07/31	GENERAL TOLERANCES (UNLESS SPECIFIED)		DIMENSION STYLE MM ONLY	SCALE 40:1	DESIGN UNITS METRIC	THIRD ANGLE PROJECTION
	10 UNDER	±0.2	DRAWN BY HSHIMOYAMA	DATE 2005/03/25	TITLE 0.3 FPC CONN. (H=0.9) HS'G ASSY BOTTOM CONTACT NICKEL BARRIER	
	10 OVER 30 UNDER	±0.25	CHECKED BY HHIRATA	DATE 2005/03/25	MOLEX INCORPORATED	
	30 OVER	±0.3	APPROVED BY MSASAO	DATE 2005/03/25	MATERIAL NO. SEE TABLE	DOCUMENT NO. SD-501628-001
REV	DESCRIPTION	ANGULAR ±1°	THIS DRAWING CONTAINS INFORMATION THAT IS PROPRIETARY TO MOLEX INCORPORATED AND SHOULD NOT BE USED WITHOUT WRITTEN PERMISSION			
		DRAFT WHERE APPLICABLE MUST REMAIN WITHIN DIMENSIONS				



FPC構成推奨仕様
STRUCTURE OF FPC



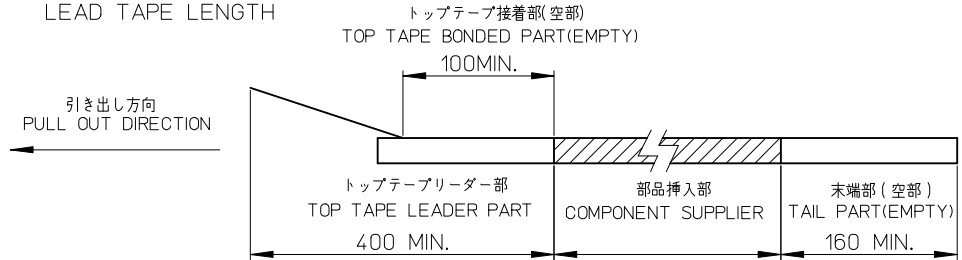
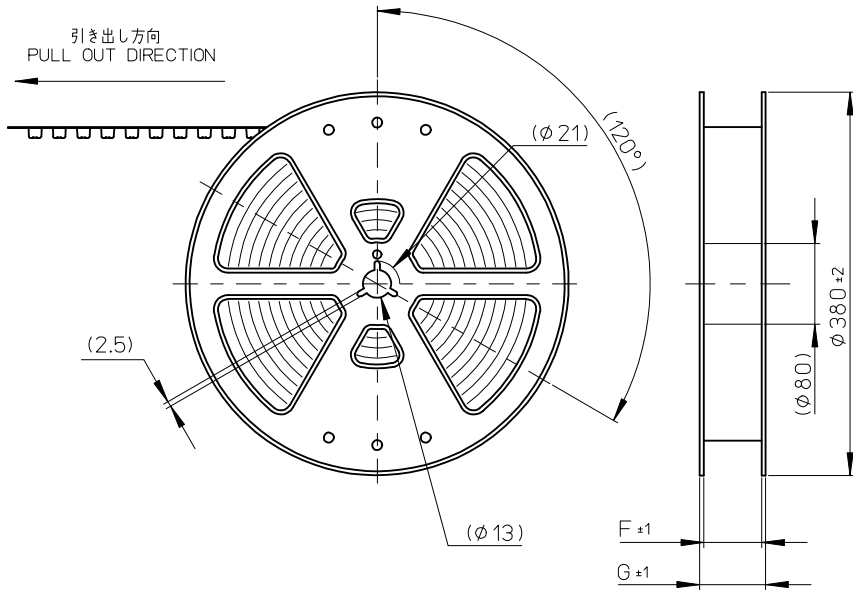
FPCについて:
抜き方向は、導体側から補強板側を推奨致します。
補強フィルム材質は、ポリイミドを推奨致します。
接着剤は熱硬化接着剤を推奨致します。
尚、接着剤の接点部への付着は導通不良の原因になりますので、
染み出しが無い様、お願い致します。

ABOUT FPC:
RECOMMENDED PUNCHER DIRECTION:
FROM CONDUCTOR SIDE TO STIFFENER FILM SIDE.
RECOMMENDED MATERIAL:
STIFFENER FILM: POLYIMIDE
BONDING AGENT: THERMOSETTING AGENT
PLEASE PUT APPROPRIATE AMOUNT OF ASHESIVE ON THE CONTACT AREA BECAUSE THE EXTRA ADHESIVE MAY CAUSE THE DEFECT IN ELECTRICAL CONTINUITY.

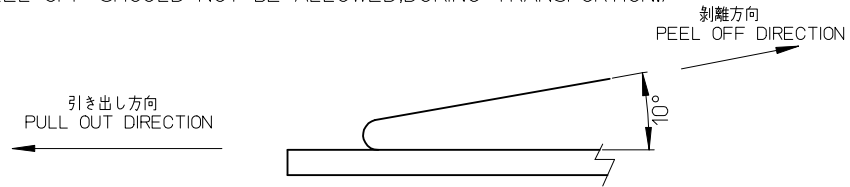
REVISED EC NO: J2010-0068 DRWN: KUSATO 2009/07/30 CHKD: HSHIMOYAMA 2009/07/31 APPR: KMORIKAWA 2009/07/31	DESCRIPTION	GENERAL TOLERANCES (UNLESS SPECIFIED)		DIMENSION STYLE MM ONLY		SCALE 40:1	DESIGN UNITS METRIC	THIRD ANGLE PROJECTION	
		10 UNDER	±0.2	DRAWN BY HSHIMOYAMA	DATE 2005/03/25	TITLE 0.3 FPC CONN. (H=0.9) HS'G ASSY BOTTOM CONTACT NICKEL BARRIER			
		10 OVER 30 UNDER	±0.25	CHECKED BY HHIRATA	DATE 2005/03/25	MOLEX INCORPORATED			
		30 OVER	±0.3	APPROVED BY MSASAO	DATE 2005/03/25	DOCUMENT NO. SD-501628-001			
ANGULAR ±1 °		DRAFT WHERE APPLICABLE MUST REMAIN WITHIN DIMENSIONS		MATERIAL NO. SEE TABLE		SHEET NO. 2 OF 2			
THIS DRAWING CONTAINS INFORMATION THAT IS PROPRIETARY TO MOLEX INCORPORATED AND SHOULD NOT BE USED WITHOUT WRITTEN PERMISSION									

注記)
NOTES

- 製品番号501628-***11の詳細寸法は、製品単体図面を参照下さい。
IN THE PACKAGE PART NUMBER 501628-***11 DETAIL DIMENSIONS, SEE SALES DRAWING FOR CONNECTOR.
- 梱包数量: 3000個/リール
NUMBER OF CONNECTORS : 3000 PCS/REEL
- リードテープ長さ
LEAD TAPE LENGTH



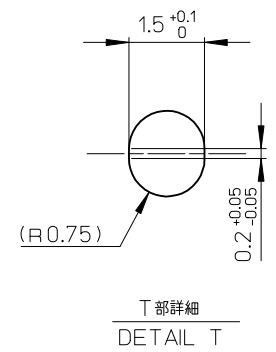
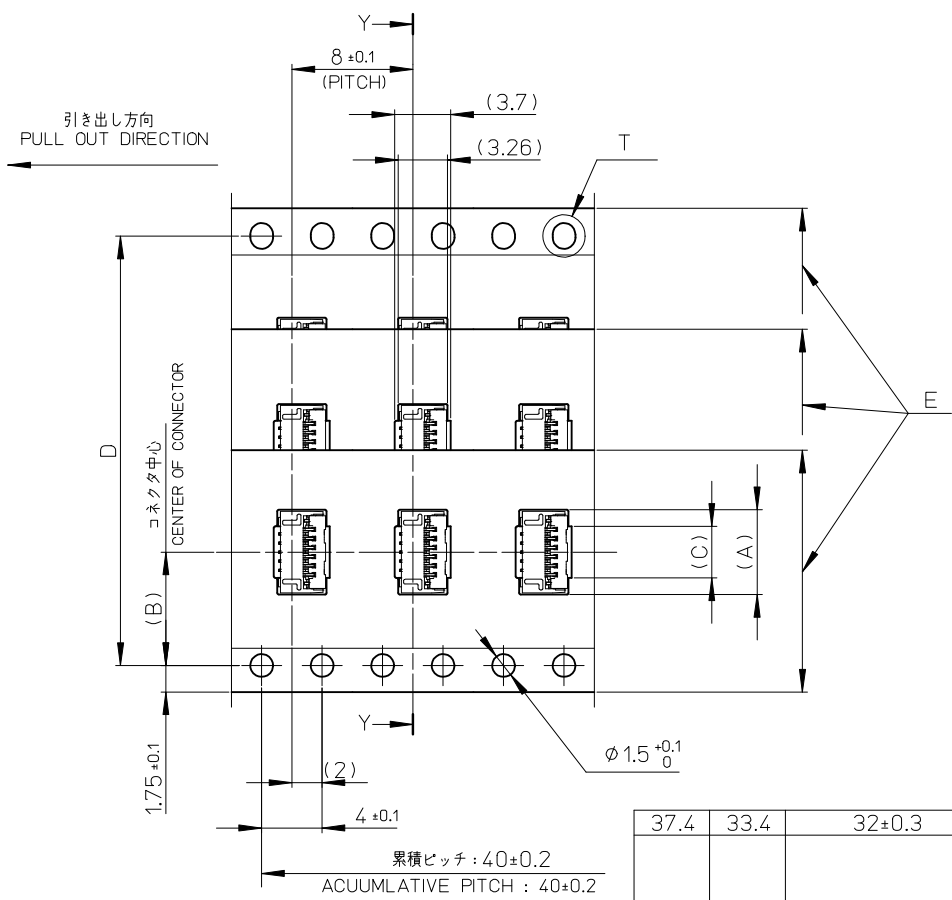
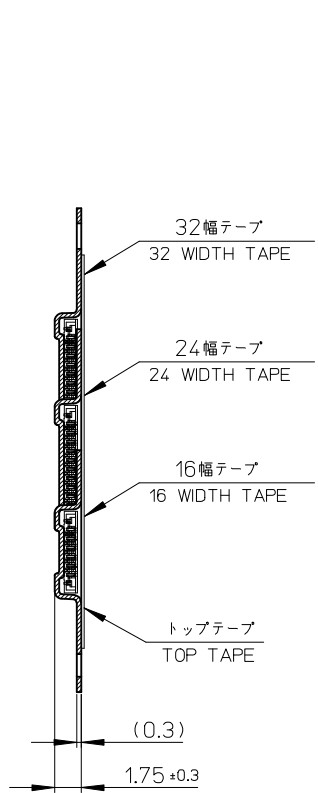
- トップテープの剥離強度 (剥離方向は下図参照)
PEELING OFF FORCE OF TOP TAPE (PEELING DIRECTION AS SHOWN IN FOLLOWING FIGURE)
0.1-1.3N (10-130gf)
尚、本規格値は出荷時に適用。
THIS REQUIREMENT SHOULD BE APPLIED AT SHIPMENT.
(但し、輸送時に剥離が発生しないこと)
(PEEL OFF SHOULD NOT BE ALLOWED, DURING TRANSPORTION.)



- 材料
MATERIAL
キャリアテープ: ポリスチレン (PS)
CARRIER TAPE: POLYSTYRENE (PS)
トップテープ: PET、PE、PEF
TOP TAPE : PET, PE, PEF
リール: ポリスチレン
REEL: POLYSTYRENE

- ELV及びRoHS適合品
ELV AND RoHS COMPLIANT

REVISED EC NO: J2010-0068 DRW: KUSATO 2009/07/30 CHKD: HSHIMUYAMA 2009/07/31 APP: KMORIKAWA 2009/07/31	GENERAL TOLERANCES (UNLESS SPECIFIED)		DIMENSION STYLE MM ONLY		SCALE ---	DESIGN UNITS METRIC	THIRD ANGLE PROJECTION
	10 UNDER	± ---	DRAWN BY HSHIMUYAMA	DATE 2005/08/22	TITLE 0.3 FPC CONN.(FOR 501628-***11) TAPING PACKAGE NICKEL BARRIER		
	10 OVER 30 UNDER	± ---	CHECKED BY HIRATA	DATE 2005/08/22	MOLEX INCORPORATED		
	30 OVER	± ---	APPROVED BY MSASAO	DATE 2005/08/22	MATERIAL NO. SEE TABLE	DOCUMENT NO. SD-501628-003	SHEET NO. 1 OF 2
REV	DESCRIPTION	ANGULAR ± --- °	DRAFT WHERE APPLICABLE MUST REMAIN WITHIN DIMENSIONS		THIS DRAWING CONTAINS INFORMATION THAT IS PROPRIETARY TO MOLEX INCORPORATED AND SHOULD NOT BE USED WITHOUT WRITTEN PERMISSION		



37.4	33.4	32±0.3	28.4	15.4	14.2	17.6	501628-5191	51
29.4	25.4	24±0.3	+-	13.6	11.5	15.8	501628-4591	45
				11.8		14	501628-3991	39
				11.2		13.4	501628-3791	37
				10.6		12.8	501628-3591	35
				10.0		12.2	501628-3391	33
				9.4		11.6	501628-3191	31
21.4	17.4	16±0.3		8.2	7.5	10.4	501628-2791	27
				6.4		8.6	501628-2191	21
				3.4		5.6	501628-1191	11
G	F	E キャリアテープ幅 EMBOSSED TAPE WIDTH		C	B	A	製品番号 MATERIAL NO.	極数 CIRCUITS

REVISED EC NO: J2010-0068 DRWKUSATO 2009/07/30 CHKD:HSHIROYAMA 2009/07/31 APPR:KMORIKAWA 2009/07/31	GENERAL TOLERANCES (UNLESS SPECIFIED)		DIMENSION STYLE MM ONLY		SCALE ---	DESIGN UNITS METRIC		THIRD ANGLE PROJECTION
	10 UNDER	± ---	DRAWN BY HSHIROYAMA	DATE 2005/08/22	TITLE 0.3 FPC CONN.(FOR 501628 -**11) TAPING PACKAGE NICKEL BARRIER			
	10 OVER 30 UNDER	± ---	CHECKED BY HHIRATA	DATE 2005/08/22	MOLEX INCORPORATED			
	30 OVER	± ---	APPROVED BY MSASAO	DATE 2005/08/22	DOCUMENT NO. SD-501628-003		SHEET NO. 2 OF 2	
G	REVISION	ANGULAR ± --- °	MATERIAL NO. SEE TABLE		THIS DRAWING CONTAINS INFORMATION THAT IS PROPRIETARY TO MOLEX INCORPORATED AND SHOULD NOT BE USED WITHOUT WRITTEN PERMISSION			
		DRAFT WHERE APPLICABLE MUST REMAIN WITHIN DIMENSIONS						