

PLEASE CHECK WWW.MOLEX.COM FOR LATEST PART INFORMATION

Part Number: [0357111110](#)
Status: **Active**
Description: 2.79mm (.110") Slip-On Receptacle Terminal, Quick Disconnect, 0.80mm (.031") Tab Thickness, Wire Range 20-22 AWG (0.52-0.33mm²), Post-Tin Plated

Documents:

[Drawing \(PDF\)](#) [Product Specification PS-35827-001 \(PDF\)](#)
[Product Specification PS-35702-001 \(PDF\)](#) [RoHS Certificate of Compliance \(PDF\)](#)

Agency Certification

CSA LR95446
 UL E92853

General

Product Family Quick Disconnects
 Series [35711](#)
 Crimp Quality Equipment Yes
 Product Name Slip-On
 Type Quick Disconnect

Physical

Barrel Type Open
 Gender Female
 Glow-Wire Compliant No
 Insulation None
 Lock to Mating Part None
 Material - Metal Brass
 Material - Plating Mating Tin
 Material - Plating Termination Tin
 Orientation Straight
 Packaging Type Reel
 Plating min: Mating (µin) 40
 Plating min: Mating (µm) 1
 Plating min: Termination (µin) 40
 Plating min: Termination (µm) 1
 Polarized to Mating Part No
 Tab Thickness 0.81mm (.032")
 Tab Width 2.79mm (.110")
 Temperature Range - Operating -40°C to +120°C
 Termination Interface: Style Crimp or Compression
 Wire Insulation Diameter 1.50-2.00mm (.059-.079") max.
 Wire Size AWG 20, 22
 Wire Size mm² 0.33 - 0.52

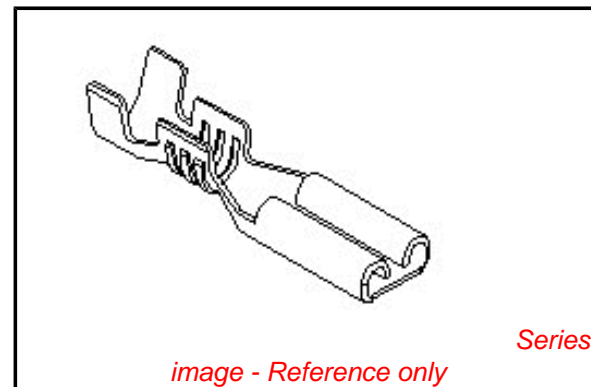
Electrical

Voltage - Maximum Per Wire Specification

Material Info

Reference - Drawing Numbers

Product Specification PS-35702-001, PS-35827-001
 Sales Drawing SD-35711-11*0



EU RoHS

ELV and RoHS Compliant
REACH SVHC Contains SVHC: No
Halogen-Free Status

China RoHS



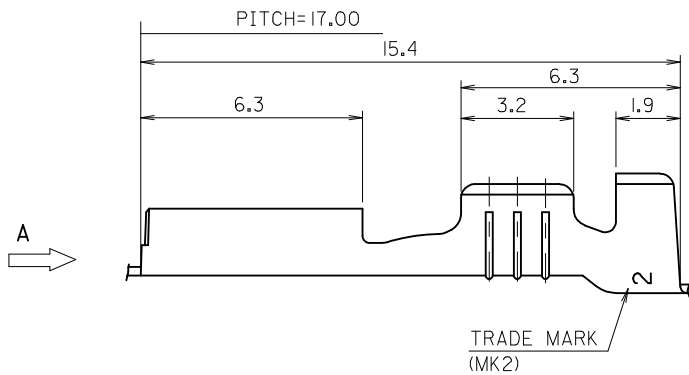
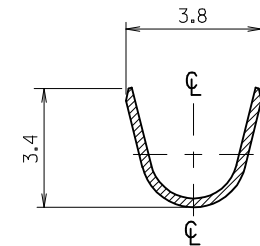
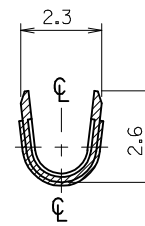
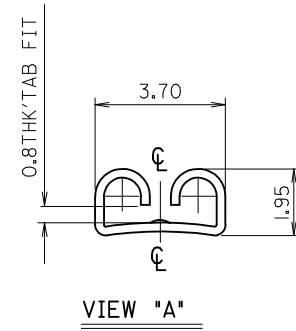
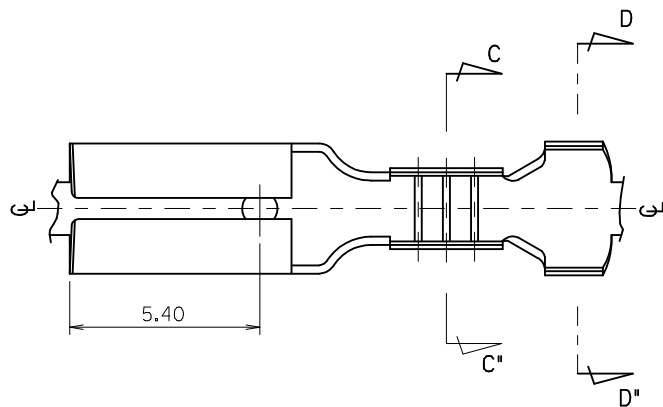
Need more information on product environmental compliance?

Email productcompliance@molex.com
 For a multiple part number RoHS Certificate of Compliance, [click here](#)

Please visit the [Contact Us](#) section for any non-product compliance questions.

Search Parts in this Series

[35711Series](#)



NOTES.

1. MATERIAL : BRASS
2. FINISH : 35711-1100 : UNPLATED
35711-1110 : © PRE-TIN PLATED
0.8~1.8 μm TIN PLATING
OVERALL 0.3~0.8μm COPPER PLATING
3. PRODUCT SPECIFICATION : PS-35702-001
PS-35827-001
4. MATES WITH : 0.8t TAB
5. APPLICABLE WIRE RANGE : AWG #22~#20

| | | | | | | | |
|--|-------------------------------|--|-----------------------|-----------------------------------|---|-------------------------------|------------------------|
| REVISED EC NO: KOR2009-0111 DRWN: JHPARK01 2009/01/30 CHKD: WY YANG 2009/01/30 APPR: YUNSTIKIM 2009/01/30 | QUALITY SYMBOLS = 0 = 0 | GENERAL TOLERANCES (UNLESS SPECIFIED) | | DIMENSION STYLE MM ONLY | SCALE 8:1 | DESIGN UNITS METRIC | THIRD ANGLE PROJECTION |
| | | 4 PLACES ± --- ± --- | DRAWN BY WY YANG | DATE 1993/04/15 | TITLE .110 SLIP-ON RECEPTACLE | | |
| | | 3 PLACES ± --- ± --- | CHECKED BY BK CHOI | DATE 1993/04/15 | MOLEX INCORPORATED | | |
| | | 2 PLACES ± --- ± --- | APPROVED BY CW LEE | DATE 1993/04/15 | MATERIAL NO. SEE NOTE | DOCUMENT NO. SD-35711-11*0 | SHEET NO. 1 OF 01 |
| 1 PLACE ± 0.30 ± --- | ANGULAR ± --- ° | DRAFT WHERE APPLICABLE MUST REMAIN WITHIN DIMENSIONS | | | THIS DRAWING CONTAINS INFORMATION THAT IS PROPRIETARY TO MOLEX INCORPORATED AND SHOULD NOT BE USED WITHOUT WRITTEN PERMISSION | | |