

PDC-170

17" Medical Display Console



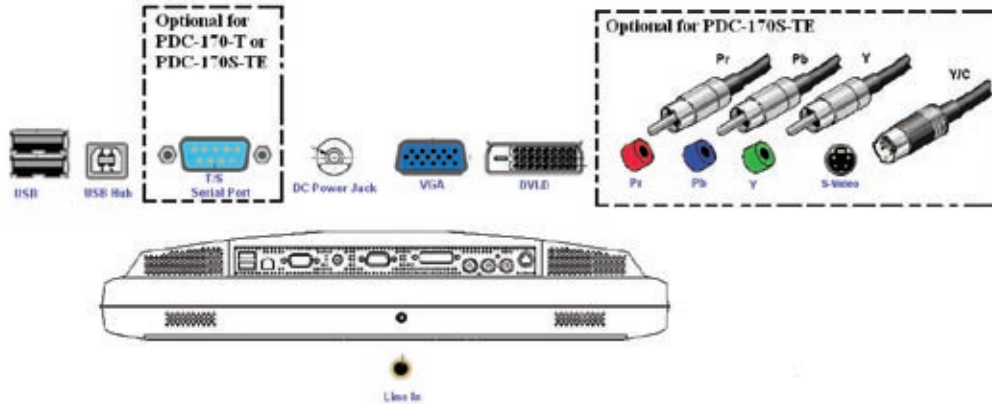
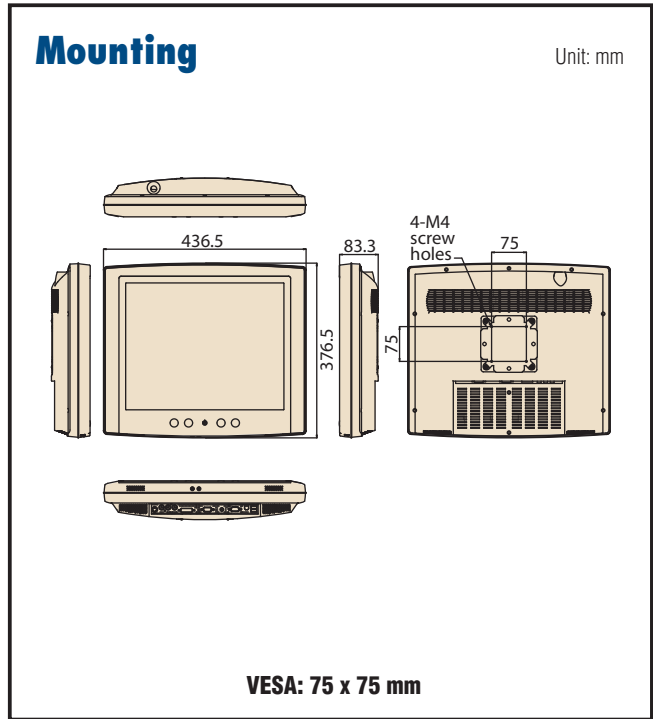
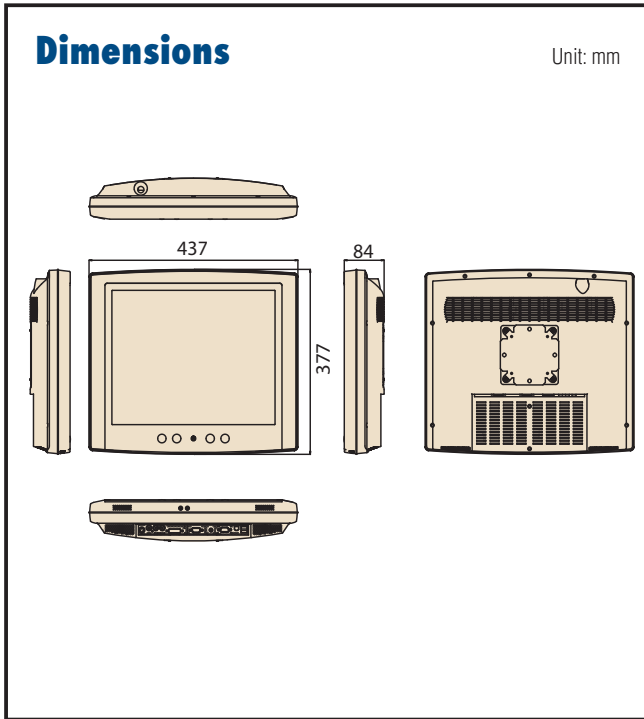
Features

- 17" LCD display
- IPX1 water resistant enclosure with additional IP65 dust-tight front panel
- USB 2.0 hub function
- UL60601-1/EN60601-1, CE & FCC Class B certified
- Optional Trim Knob and S-Video / Component Video



Specifications

Display	Display type	17" TFT LCD		
	Max. Resolution	1280 x 1024		
	Max. Colors	16.2 M (6 Bits + FRC)		
	Dot size (mm)	0.264 x 0.264		
	Viewing angle	160/160°		
	Luminance	300 cd/m ²		
	Contrast ratio	800 : 1		
	LCD MTBF	50,000 hours		
Backlight lifetime	50,000 hours			
I/O Ports		PDC-170S-TE	PDC-170-TE	PDC-170E
	Video Input Port			
	Composite	-	-	-
	S-Video	mini DIN-4 x1	-	-
	YPbPr	RCA x3	-	-
	DVI	DVI-Dx1	DVI-Dx1	DVI-Dx1
	VGA	HD15 x1	HD15 x1	HD15 x1
	Audio/ USB hub/Power			
	Line-in	phone jack x1	phone jack x1	phone jack x1
	USB downstream	type A x2	type A x2	type A x2
	USB upstream	type B x1	type B x1	type B x1
	DC power connector	DC jack x1	DC jack x1	DC jack x1
	RS-232C communication Port			
	TS controller	DB9 x1	DB9 x1	-
Speakers	1 W speakers x 2			
Power Supply		Universal AC/DC adapter (SINPRO model no. MPU50-108)		
	Input voltage	100 ~ 240 V _{AC} , 47 ~ 63 Hz		
	Output voltage	+12 V _{DC} , 3.75A max. (45 watts)		
Optional Touchscreen	Type	Analog Resistive		
	Resolution	Continuous		
	Light transmission	75%		
	Controller	RS-232 interface		
	Durability	30 million touches		
Environment	Temperature	0 ~ 40° C (Operating)		
	Humidity	10 ~ 95% @ 40° C (non-condensing)		
	Vibration/Shock Resistance	5 ~ 500 Hz, 1G acceleration/20G half sine, 11 msec duration		
	Water/dust Resistance	IPX1 for whole system		
Physical Characteristics	Dimensions (W x H x D)	437 x 377 x 84 mm (17.18" x 14.82" x 3.29")		
	Weight	6.4kg (14.11 lb)		



Ordering Information

Part Number	Touch Panel	AR Glass	SD Video input
PDC-170E	-	Yes	-
PDC-170-TE	RES.TS	-	-
PDC-170S-TE	RES.TS	-	Yes

Accessories

Part Number	Description
*	Trim Knob for PDC-170 via USB

* This accessory goes with the T Part Number. Please contact Advantech sales for more details.

Packing List

Description	Quantity
EMI core for power cord & RS-232 port	2
AC 45W SPS MPU50-108 W/PFC 100-240	1
Audio Cable, 1.5M	1
DVI-D Cable, 2M	1
USB Cable, 1.8M	1
D-Sub VGA cable, 1.8M	1
Advantech 2-year warranty card	1
Startup manual	1
CD-ROM for PDC-170 series Driver & Utility	1
China RoHS report	1
User manual for PDC-170, 1st Ed	1
RS-232 cable for T/S model	1

* Please note power cord is NOT included in the packing list.